

### Main Features



Reference	: CWCA0
Product code	: 12487358
Rated current Ie AC-3 (Ue ≤ 440 V)	: 10 A
Main contacts (power)	: No main contacts
Auxiliary contacts	: 2 NO + 2 NC
Control voltage	: 230V 50/60Hz
Type of terminal	: Screw

### Basic data

Rated utilization voltage Ue	
- IEC / UL	: 690 V / 600 V
Isolation voltage Ui (pollution degree 3)	
- IEC / UL	: 690 V / 600 V
Rated impulse withstand voltage Uimp	: 4 kV
- Frequency limits [1]	: 25 Hz ... 400 Hz
- Mechanical lifespan	
AC-operated contactor	: 10 million
DC-operated contactor	: 12 million
Electrical lifespan - Ie AC3	: Not available
Number of coil terminals (AC Coil)	
AC coil contactors	: 2
- DC coil contactors	: 2
Resistance to vibration (IEC 60068-2-6)	
opened contactor	: 2 g
closed contactor	: 4 g
Resistance to mechanical shock (½ sinusoid = 11ms)	
opened contactor	: 6 g
closed contactor	: 10 g
Installation	: DIN 35 mm (EN 50022)
Degree of protection (IEC 60529)	
Main circuit	: IP20
Control circuit	: IP20

### Alternating current - control circuit

Isolation voltage Ui (pollution degree 3)	
- IEC / UL	: 690 V / 600 V
Standard voltages for 50/60 Hz	: 12...660 V
Command circuit operation limits	
- control circuit 60 Hz	- pick up : 0,5...0,8xUs
	- drop out : 0,2...0,6xUs
- control circuit 50 Hz	- pick up : 0,5...0,8xUs
	- drop out : 0,2...0,6xUs
- Average coil consumption	
- operating at 60 Hz	- closed magnetic circuit : 2...3 VA
	- power factor (cos φ) : 0.28
	- Thermal power dissipated : 1 W
	- closing the magnetic circuit : 30 VA
- operating at 50 Hz	- closed magnetic circuit : 2.3...3.5 VA
	- power factor (cos φ) : 0.28
	- Thermal power dissipated : 1 W
	- closing the magnetic circuit : 35 VA
Average time of operation	
- closing the NO contacts	: 8...20 ms
- opening the NO contacts	: 5...15 ms

### Direct current - command circuit

- IEC / UL	
Standard voltages	:
Command circuit operation limits	
- pick up	:
- drop out	:
Average consumption	
- closed magnetic circuit	:
- closing the magnetic circuit	:
Thermal power dissipated	:
Average time of operation	
- closing the NO contacts	:
- opening the NO contacts	:

### Main contacts (power)

Rated utilization current Ie	
- AC-3 (Ue ≤ 440 V)	: 10 A

# DATASHEET

## Contactors



- AC-4 ( $U_e \leq 440$ V)	: Not available
- AC-1 ( $\theta \leq 55$ °C, $U_e \leq 690$ V)	: 10 A
Rated utilization voltage $U_e$	
- IEC / UL	: 690 V / 600 V
Number of main contacts	: No main contacts
Establishment capacity (IEC 60947)	: Not available
Breaking capacity (IEC/EN 60947)	
- $U_e \leq 400$ V	: Not available
- $U_e = 500$ V	: Not available
- $U_e = 690$ V	: Not available
Temporary permissible current (without previously current conduction during 15 min at $\theta \leq 40$ °C)	
- 1 sec	: Not available
- 1 sec	: Not available
- 1 sec	: Not available
- 1 min	:
- 10 min	: Not available
Protection against short circuit of the contacts main fuse (gL/gG)	
- @600V - UL/CSA	: Not available
- type 1 coordination	: Not available
- type 2 coordination	: Not available
Average power dissipated per pole	
AC-1 ( $\theta \leq 55$ °C, $U_e \leq 690$ V)	: Not available
AC-3 ( $U_e \leq 440$ V)	: Not available
<b>Utilization category AC-3</b>	
Rated current $I_e$ ( $\theta \leq 55$ °C)	
- $U_e \leq 440$ V	: 10 A
- $U_e \leq 500$ V	: Not available
- $U_e \leq 690$ V	: Not available
Maximum percentage (600 ops./h)	: 100 %

Orientative values of power (IEC)-three-phase induction motors (50/60 Hz)-IV poles-1800 rpm		
Voltage	kW	cv or HP
220 / 240 V	Not available	Not available
380 / 400 V	Not available	Not available
415 / 440 V	Not available	Not available
500 V	Not available	Not available
660 / 690 V	Not available	Not available

Orientative values of power (UL)		
Voltage	1 Phase	3 Phase
120 V	Not available	Not available
200 V	Not applicable	Not available
208 V	Not available	Not available
240 V	Not available	Not available
480 V	Not available	Not available
600 V	Not available	Not available

### Utilization category AC-4

Rated current $I_e$ ( $\theta \leq 55$ °C)	
- $U_e \leq 440$ V	: Not available
- $U_e \leq 500$ V	: Not available
- $U_e \leq 690$ V	: Not available

Orientative values of power (IEC)-three-phase induction motors (50/60 Hz)-IV poles-1800 rpm		
Voltage	kW	cv or HP
220 / 240 V	Not available	Not available
380 / 400 V	Not available	Not available
415 / 440 V	Not available	Not available
500 V	Not available	Not available
660 / 690 V	Not available	Not available

### Utilization category AC-1 (3 P/NA)

Maximum percentage (600 ops./h)	: Not available
---------------------------------	-----------------

Maximum power operation $\theta \leq 55$ °C (three resistors)	
Voltage	Power
220 / 240 V	Not available
380 / 400 V	Not available
415 / 440 V	Not contain
500 V	Not available
660 / 690 V	NOT CONTAIN

### Auxiliary contacts

Standards compliance	: IEC 600947-5-1
Insulation voltage $U_i$	
- IEC / UL	: 690 V / 600 V

# DATASHEET

## Contactors



Rated utilization voltage  $U_e$   
 - IEC / UL : 690 V / 690 V  
 Conventional thermal current  $I_{th}$  ( $\theta \leq 55^\circ\text{C}$ ) : 10 A  
 Rated current  $I_e$  - IEC 60947-5-1/AC-15  
 - 220 / 240 V : 10 A  
 - 380 / 440 V : 6 A  
 - 500 V : 4 A  
 - 660 / 690 V : 2 A  
 Rated current  $I_e$  - IEC 60947-5-1/DC-13  
 - 24 V : 6 A  
 - 48 V : 4 A  
 - 110 V : 2 A  
 - 220 V : 0,7 A  
 - 440 V : Not available  
 Establishment capacity - (AC-15 and  $U_e \leq 690\text{V}$  50/60Hz) : 10 x  $I_e$   
 Interruption capacity - (AC-15 and  $U_e \leq 400\text{V}$  50/60Hz) : 10 x  $I_e$   
 Protection against short circuit of the contacts main fuse (gL/gG) : 10 A  
 Control circuit reliability : 17/5 V/mA  
 Electrical lifespan : 1 Million  
 Mechanical lifespan : 10 million  
 Non-overlapping time between NO and NC contacts : Not available  
 Impedance per pole : Not available

### Connection

Main contacts  
 Type of the screw : M3 Flat/Phillips  
 Section of the conductors

Type of the conductor	Section (IEC)	Section (UL)
Rigid cable	1 x 0,5...2,5 mm <sup>2</sup>	1 x
	2 x 0,5...2,5 mm <sup>2</sup>	2 x
Flexible cable without terminal	1 x 0,75...2,5 mm <sup>2</sup>	1 x
	2 x 0,75...2,5 mm <sup>2</sup>	2 x
Flexible cable with terminal	1 x 0,5...2,5 mm <sup>2</sup>	1 x
	2 x 0,5...1,5 mm <sup>2</sup>	2 x

Tightening torque (IEC/UL) : 1.1 Nm / 10 lb.in  
 Control circuit  
 Type of the screw : M3 Flat/Phillips  
 Section of the conductors

Type of the conductor	Section (IEC)	Section (UL)
Rigid cable	1 x 0,5...2,5 mm <sup>2</sup>	1 x
	2 x 0,5...2,5 mm <sup>2</sup>	2 x
Flexible cable without terminal	1 x 0,75...2,5 mm <sup>2</sup>	1 x
	2 x 0,75...2,5 mm <sup>2</sup>	2 x
Flexible cable with terminal	1 x 0,5...2,5 mm <sup>2</sup>	1 x
	2 x 0,5...1,5 mm <sup>2</sup>	2 x

Tightening torque (IEC/UL) : 1,1 Nm / 10 lb.in

### Direct current application

Utilization category DC-1 ( $L/R \leq 1$  ms)

Voltage	Rated utilization current ( $I_e$ )			
	Pole(s) in series			
	1	2	3	4
$U_e \leq 24\text{V}$	Not available	Not available	Not available	Not available
$U_e \leq 48\text{V}$	Not available	Not available	Not available	Not available
$U_e \leq 60\text{V}$	Not available	Not available	Not available	Not available
$U_e \leq 125\text{V}$	Not available	Not available	Not available	Not available
$U_e \leq 220\text{V}$	Not available	Not available	Not available	Not available
$U_e \leq 440\text{V}$	Not available	Not available	Not available	Not available
$U_e \leq 600\text{V}$	Not available	Not available	Not available	Not available

Utilization category DC-3 ( $L/R \leq 2.5$  ms)

Voltage	Rated utilization current ( $I_e$ )			
	Pole(s) in series			
	1	2	3	4
$U_e \leq 24\text{V}$	Not available	Not available	Not available	Not available
$U_e \leq 48\text{V}$	Not available	Not available	Not available	Not available
$U_e \leq 60\text{V}$	Not available	Not available	Not available	Not available
$U_e \leq 125\text{V}$	Not available	Not available	Not available	Not available
$U_e \leq 220\text{V}$	Not available	Not available	Not available	Not available
$U_e \leq 440\text{V}$	Not available	Not available	Not available	Not available
$U_e \leq 600\text{V}$	Not available	Not available	Not available	Not available

# DATASHEET

## Contactors



Operation category DC-5 (L/R ≤ 15ms)

Voltage	Rated utilization current (Ie)			
	Pole(s) in series			
	1	2	3	4
Ue ≤ 24V	Not available	Not available	Not available	Not available
Ue ≤ 48V	Not available	Not available	Not available	Not available
Ue ≤ 60V	Not available	Not available	Not available	Not available
Ue ≤ 125V	Not available	Not available	Not available	Not available
Ue ≤ 220V	Not available	Not available	Not available	Not available
Ue ≤ 440V	Not available	Not available	Not available	Not available
Ue ≤ 600V	Not available	Not available	Not available	Not available

### Ambient temperature

Operation : -25 °C ... +55 °C

Storage : -55 °C ... +80 °C

Maximum altitude with no change of rated values [2] : 3000 m

### Dimensions

Height : 58 mm (2.28 in)

Width : 45 mm (1.77 in)

Depth : 52 mm (2.05 in)

Weight : 194 g

### Standards

IEC 60947-1

UL 508

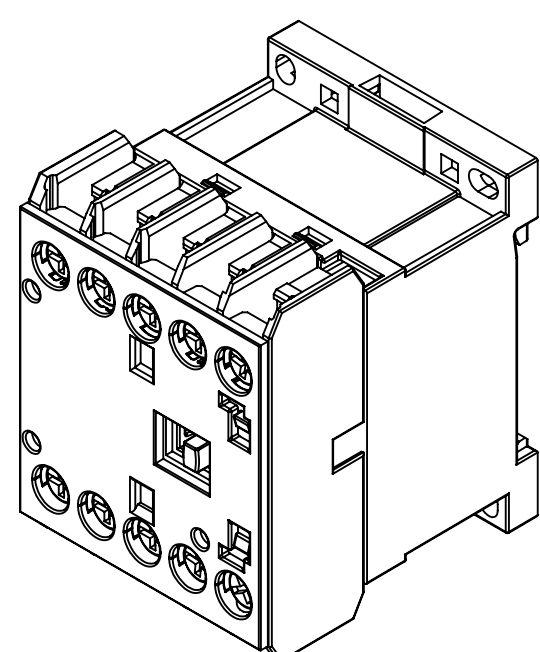
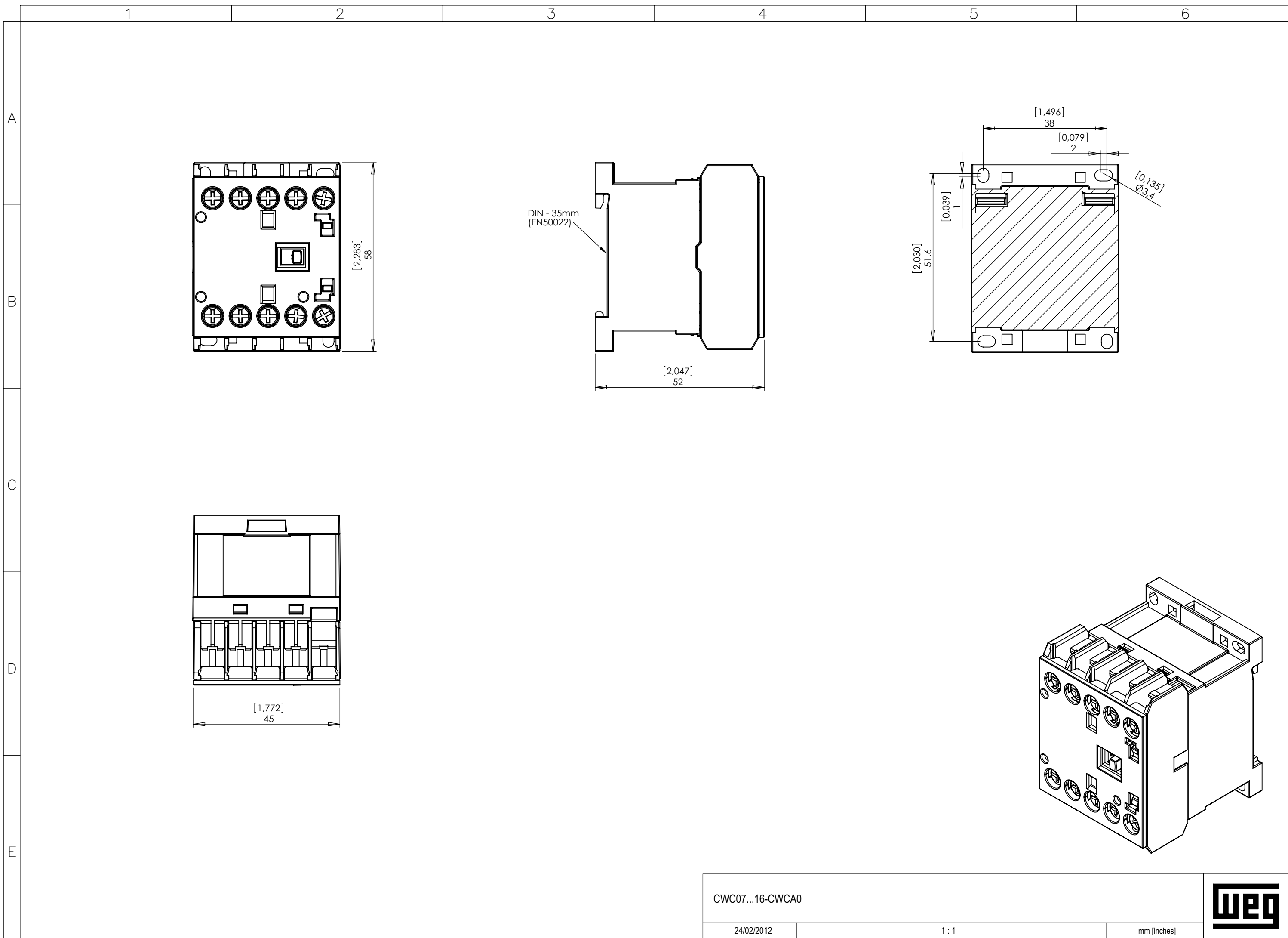
### Certifications

CE, UL, IRAM and EAC

### Notes

1) Values above 60 Hz should have current reduction;

2) For altitudes of 3000 to 4000 m (0.90 x 0.80 x Ie and Ui) and from 4000 to 5000 m (0.80 x 0.75 x Ie and Ui).



CWC07...16-CWCA0		<b>WEG</b>
24/02/2012	1:1	

A3 Sujeito a alteração sem aviso prévio. As informações contidas são valores de referência. The values shown are subject to change without prior notice. The information is for reference only. Los valores demostrados pueden ser cambiados sin aviso previo. La información es de referencia solamente.