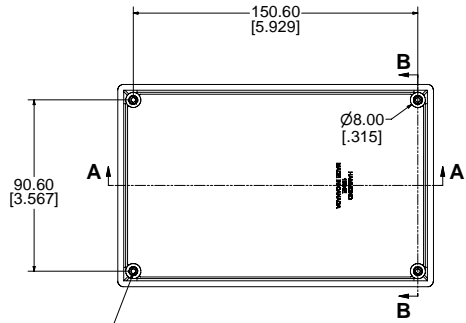


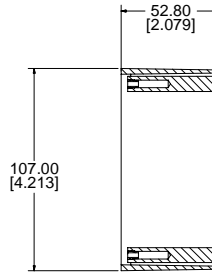
DRAFT ANGLE OF APPROXIMATELY 1°

SIDE VIEW OF BOX

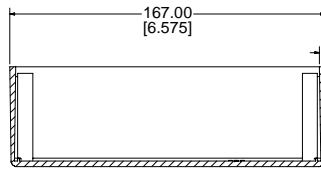
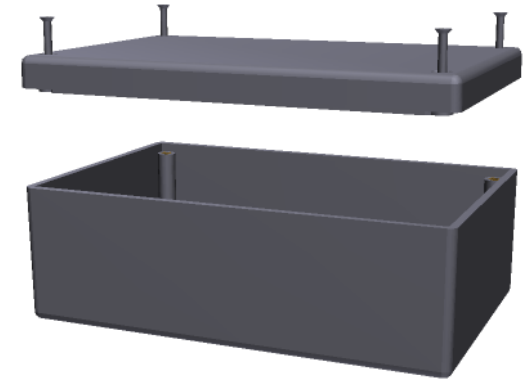


TOP VIEW OF BOX

M3 X 0.5 - 6H x 5.75  
THREADED HOLES



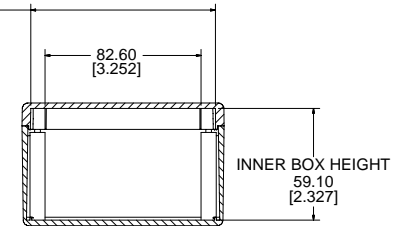
SECTION B-B  
SCALE 1 : 1



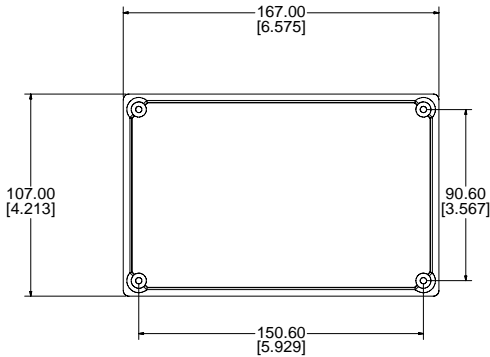
SECTION A-A  
SCALE 1 : 1

AVERAGE WALL THICKNESS  
3.10  
[.122]

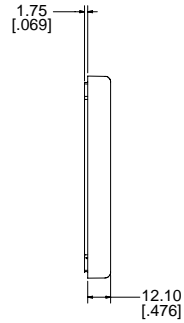
NARROWEST INSIDE DIMENSION  
97.67  
[3.845]



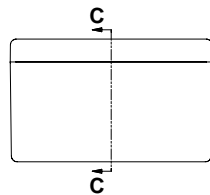
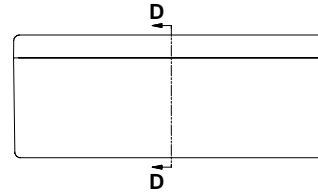
SECTION D-D  
SCALE 1 : 1



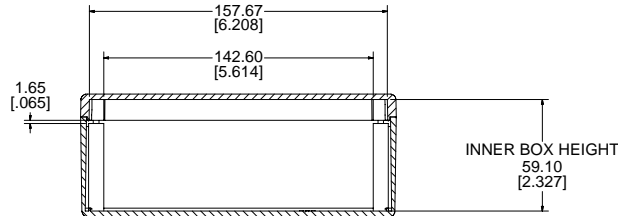
BOTTOM OF LID



SIDE VIEW OF LID



END VIEW OF ASSEMBLY



SECTION C-C  
SCALE 1 : 1

Enclosures can be Factory Modified ( Milling, Drilling, Printing etc. )  
Solid models of this enclosure available in STEP or IGES.  
Contact Factory [mjm@hammondmfg.com](mailto:mjm@hammondmfg.com)

1594E Enclosure	
FLAME RETARDANT ABS	
Black - RAL 9011	1594EBK
Grey - RAL 7018	1594EGY
NON-FLAME RETARDANT ABS	
Grey - RAL 7035	1594ESGY
Black - RAL 9011	1594ESBK
LIQUID RESISTANT	
Black - RAL 9011	1594EWBK
ACCESSORIES	
Cover Screws Non-Flame Retardant (pkg. 100) [#4 x 1" Self-Tapping]	1594TS100
Cover Screws Flame Retardant (pkg. 100) [M3 - 0.5 x 20mm]	1594MS100
Cover Screws Liquid Resistant (pkg. 100) [M3 - 0.5 x 20mm]	1594WMS100
Circuit Board Holders	(See 1594Z Series)



HAMMOND  
MANUFACTURING™

1594E

[www.hammondmfg.com](http://www.hammondmfg.com)