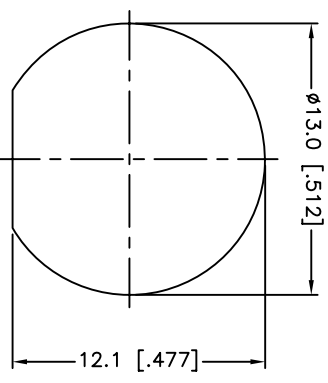
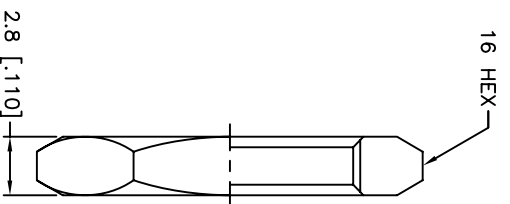
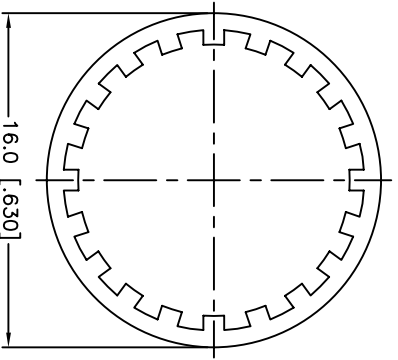
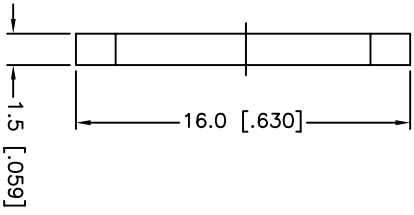
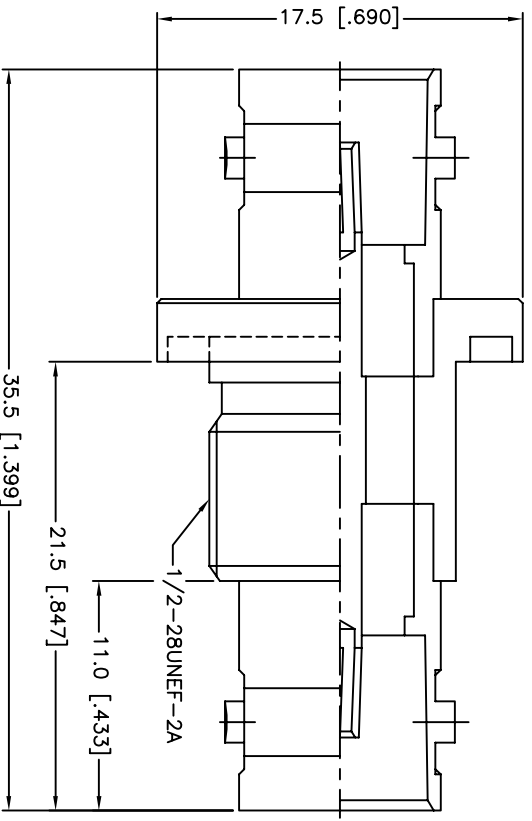


REV.	DATE	ECR NO.	DESCRIPTION
NC	10/12/09	XXXXXX	INITIAL RELEASE



RECOMMENDED  
MOUNTING HOLE

QTY	FINISH	MATERIAL	DESCRIPTION
1	NICKEL	BRASS	HEX NUT
1	NICKEL	BRASS	LOCK WASHER
1	RED	RUBBER	GASKET
1	GOLD	PHOSPHOR BRONZE	CONTACT PIN
1	NATURAL	DELFIN	INSULATOR
1	NICKEL	BRASS	BODY
1	NICKEL	BRASS	HOUSING

UNLESS OTHERWISE SPECIFIED, DIMENSIONS ARE IN INCHES AND FOR CUSTOMER REFERENCE ONLY. TOLERANCES FOR MILLIMETERS ARE:

UNLESS OTHERWISE SPECIFIED TOLERANCES FOR MILLIMETERS ARE:  
 0.5 - 8mm ± 0.20mm  
 8 - 30mm ± 0.40mm  
 30 - 120mm ± 0.50mm

UNLESS OTHERWISE SPECIFIED TOLERANCES FOR INCHES ARE:  
 .020 - .315 = ± 0.007"  
 .315 - 1.180 = ± 0.015"  
 1.180 - 4.724 = ± 0.020"

DO NOT SCALE DRAWING

APPROVALS	DATE
Drawn: Tangor	10/12/09
Checked:	
Issued:	
SHEET 1 OF 1	

**Amphenol Connex**

PART DESCRIPTION  
**BNC FEMALE TO FEMALE BULKHEAD ADAPTOR**

PART NO. 112436

DWG. NO. 112436.DWG

REV. NC SIZE A SCALE NA

CAD FILE  
 C:/CONNEX/112436.DWG