



Elektrotechnik Karl-Heinz Mauz GmbH

SMD-05A03 (Artikel-Nr. 220110)

EKULIT

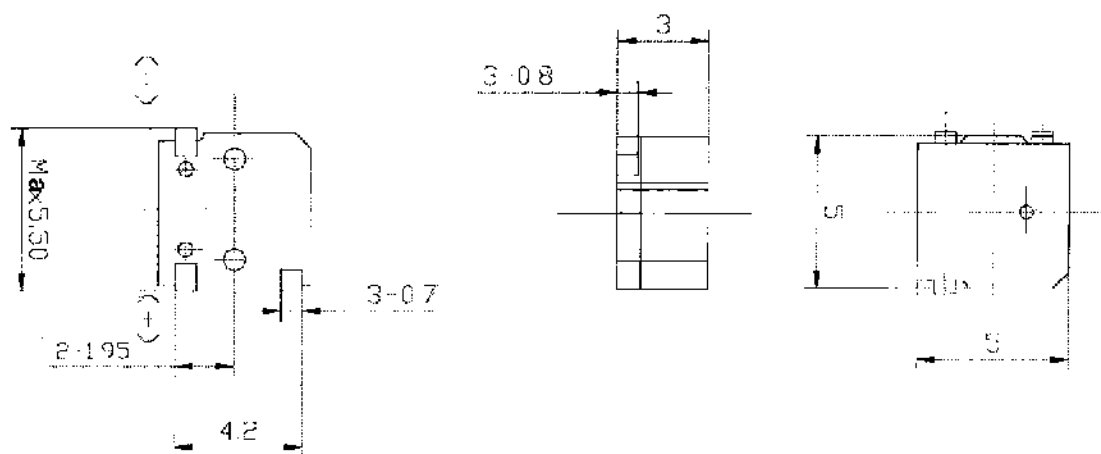
SPECIFICATIONS:

TYPE	UNIT	SMD-05A03
◆ Min. Sound Output at 10cm	dB	74
Rated Voltage	V _{0-p}	3
Operating Voltage	V _{0-p}	2 ~ 4
Resonant Frequency	Hz	4000
◆ Max. Current Consumption	mA	100
Coil Resistance	Ω	16±2
Coil Impedance	Ω	30
Operating Temperature	°C	-40 ~ +85
Storage Temperature	°C	-40 ~ +85
Material		LCP
Weight	g	0.4

- ◆ Value applying at (rated voltage, 4000Hz, 1/2 duty square wave)

DIMENSIONS :

(Unit: mm)



Adresse: **Felix-Wankel-Str. 35 • 73760 Ostfildern/Nellingen**

Tel: **+49-711/3414023**

Fax: **+49-711/3414024**

E-mail: **info@ekulit.de**

Web site: **www.EKULIT.de**