

JBC R245027 Drag Cartridge 1

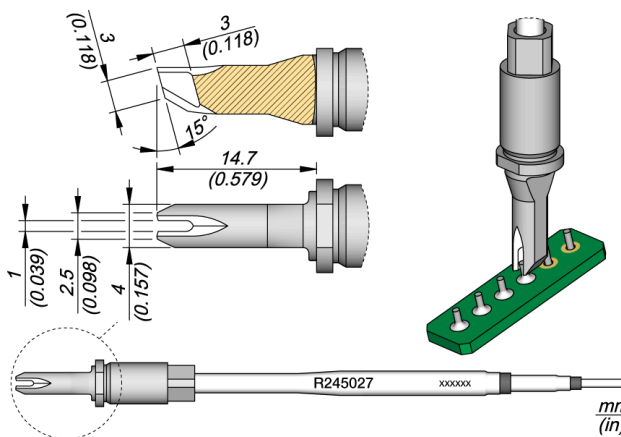
This cartridge is designed for the use in **Automated Soldering Processes**.

It is appropriate for **Through-Hole drag soldering connectors or components**, even with **pins connected to ground planes**.

The new design **features a square cross-section** that perfectly centers the cartridge in the soldering iron and **ensures accurate vertical positioning**. In addition, the cartridge can be **placed/used in 4 different positions, which can be changed in steps of 90°**.

R245027 fits TR245 General Soldering Tool and TRA245 Automatic General Soldering Tool.

JBC also offers the possibility to manufacture your special tip geometry. Do not hesitate to ask us on customtips@jbctools.com.



REFERENCE

R245027

SPECIFICATIONS

Net weight 0,02 kg (0.04lb)

WEIGHT AND DIMENSIONS

Package 183 x 60 x 34 mm / 0.03 kg.
7.20 x 2.36 x 1.34 in / 0.06 lb

Copyright © 2024 JBC Soldering S.L. | [Legal Notice](#) | [Privacy Policy](#) | [Terms and Conditions](#) | [Cookie policy](#) | [Internal Communication](#) | [RSS Feed](#) | [JBC Store](#) | [Contact Us](#)

CONNECTABLES



TRA245-B Automatic General Soldering Tool for Robot



TR245-B General Soldering Tool for Robot