

# KHAU-17A11N-120 ✓ ACTIVE

Potter & Brumfield | Potter & Brumfield KHA

TE Internal #: 2-1393122-6

Potter & Brumfield KHA, Power Relays, Industrial Panel Plug-In, Monostable, AC, 1 – 2VA Coil Power Rating Class, 1.35VA Coil Power Rating AC

[View on TE.com >](#)



Relays, Contactors & Switches > Relays > Power Relays



Power Relay Type: **Industrial Panel Plug-In**

Coil Magnetic System: **Monostable, AC**

Coil Power Rating Class: **[ 1 – 2 VA ]**

Coil Power Rating AC: **1.35 VA**

Coil Resistance: **3900 Ω**

## Features

### Product Type Features

Power Relay Type	Industrial Panel Plug-In
------------------	--------------------------

### Electrical Characteristics

Insulation Initial Dielectric Between Coil & Contact Class	1000 – 1500 V
--	---------------

Insulation Initial Dielectric Between Contacts & Coil	1500 Vrms
---	-----------

Actuating System	AC
------------------	----

Insulation Initial Dielectric Between Open Contacts	1000 Vrms
---	-----------

Contact Limiting Making Current	2.5 A
---------------------------------	-------

Contact Limiting Short-Time Current	2.5 A
-------------------------------------	-------

Contact Limiting Continuous Current	2.5 A
-------------------------------------	-------

Insulation Initial Dielectric Between Adjacent Contacts	1500 Vrms
---	-----------

Insulation Initial Resistance	100 MΩ
-------------------------------	--------

Contact Limiting Breaking Current	2.5 A
-----------------------------------	-------

Coil Magnetic System	Monostable, AC
----------------------	----------------

	1 – 2 VA
--	----------

Coil Power Rating AC	1.35 VA
----------------------	---------

Coil Resistance	3900 Ω
-----------------	--------

Coil Special Features	Electrical Indicator, Neon Indicator, UL Coil Insulation Class B
-----------------------	--

Coil Voltage Rating	120 VAC
---------------------	---------

Contact Switching Load (Min)	100mA @ 12V
------------------------------	-------------

Contact Voltage Rating	240 VAC
------------------------	---------

### Body Features

Product Weight	45 g[1.587 oz]
----------------	----------------

### Contact Features

Contact Arrangement	4 Form C (CO)
---------------------	---------------

Contact Current Class	2 – 5 A, 16 A
-----------------------	---------------

Contact Current Rating (Max)	2.5 A
------------------------------	-------

Contact Material	Ag
------------------	----

Contact Number of Poles	4
-------------------------	---

Terminal Type	Plug-In, Solder
---------------	-----------------

### Mechanical Attachment

Relay Mounting Type	Socket
---------------------	--------

### Dimensions

Length Class (Mechanical)	25 – 30 mm
---------------------------	------------

Height Class (Mechanical)	30 – 40 mm
---------------------------	------------

Width Class (Mechanical)	20 – 25 mm
--------------------------	------------

Product Width	21.8 mm[.858 in]
---------------	------------------

Product Length	28.2 mm[1.111 in]
----------------	-------------------

Product Height	38.1 mm[1.5 in]
----------------	-----------------

### Usage Conditions

Environmental Ambient Temperature Class	50 – 70 °C
---	------------

Environmental Ambient Temperature (Max)	70 °C[158 °F]
---	---------------

Operating Temperature Range	-45 – 70 °C
-----------------------------	-------------

### Packaging Features

Packaging Method	Tray
------------------	------

### Product Compliance

[For compliance documentation, visit the product page on TE.com>](#)

EU RoHS Directive 2011/65/EU	Not Compliant
------------------------------	---------------

EU ELV Directive 2000/53/EC	Compliant
-----------------------------	-----------

China RoHS 2 Directive MIIT Order No 32, 2016	Restricted Materials Above Threshold
---	--------------------------------------



EU REACH Regulation (EC) No. 1907/2006

Current ECHA Candidate List: JAN 2021 (211)

Candidate List Declared Against: JAN 2021 (211)

SVHC > Threshold:

Cadmium oxide (5.1% in Component Part)

**Article Safe Usage Statements:**

Use personal protective equipment as required. Do not eat, drink or smoke when using this product. Recycle if possible and dispose of the article by following all applicable governmental regulations relevant to your geographic location.

Halogen Content

Low Halogen - Br, Cl, F, I < 900 ppm per homogenous material. Also BFR/CFR/PVC Free

Solder Process Capability

Not applicable for solder process capability

**Product Compliance Disclaimer**

This information is provided based on reasonable inquiry of our suppliers and represents our current actual knowledge based on the information they provided. This information is subject to change. The part numbers that TE has identified as EU RoHS compliant have a maximum concentration of 0.1% by weight in homogenous materials for lead, hexavalent chromium, mercury, PBB, PBDE, DBP, BBP, DEHP, DIBP, and 0.01% for cadmium, or qualify for an exemption to these limits as defined in the Annexes of Directive 2011/65/EU (RoHS2). Finished electrical and electronic equipment products will be CE marked as required by Directive 2011/65/EU. Components may not be CE marked. Additionally, the part numbers that TE has identified as EU ELV compliant have a maximum concentration of 0.1% by weight in homogenous materials for lead, hexavalent chromium, and mercury, and 0.01% for cadmium, or qualify for an exemption to these limits as defined in the Annexes of Directive 2000/53/EC (ELV). Regarding the REACH Regulation, the information TE provides on SVHC in articles for this part number is based on the latest European Chemicals Agency (ECHA) 'Guidance on requirements for substances in articles' posted at this URL: <https://echa.europa.eu/guidance-documents/guidance-on-reach>

## Compatible Parts



TE Part # 1419106-2  
27E007=SOCKET,KH,14,PC,PHEN,BL



TE Part # 1419106-3  
27E023=SOCKET,KH,14,PC,PHEN,BL



TE Part # 2-1419106-6  
27E894=SOCKET,KH,14,SCW,POLY,N



TE Part # 1419106-1  
27E006=SOCKET,KH,14,SLG,G/T,PH



TE Part # 1-1393143-9  
27E166=SOCKET,KH,14,SCW,PLES

Also in the Series | **Potter & Brumfield KHA**



Power Relays(80)



Relay Accessories, Sockets & Clips(7)

## Customers Also Bought



TE Part #1423162-2  
7022AB=RLY,STD,OFF,2P,120VAC,5



TE Part #2-1393122-0  
KHAU-17A11-120=KH



TE Part #1419106-3  
27E023=SOCKET,KH,14,PC,PHEN,BL



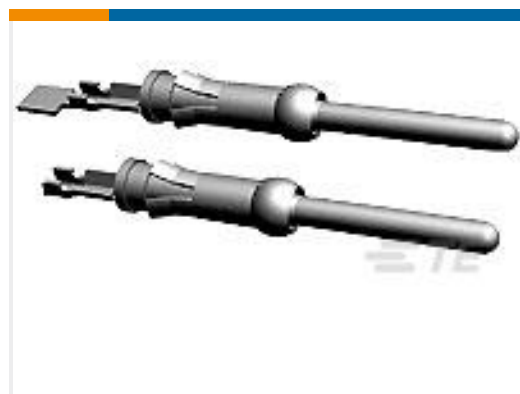
TE Part #1423157-5  
7012AC=RLY,STD,ON,2P,120VAC,15



TE Part #1393122-1  
KHAE-17D12-24=KH



TE Part #172774-1  
MULTILOCK, RECEPTACLE AND TAB



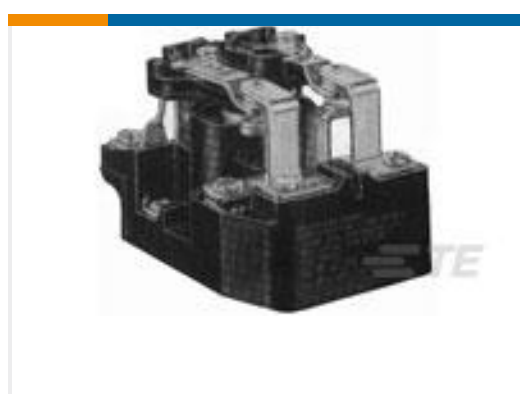
TE Part #1-66103-6  
III+ PIN,24-20,15AU/FL,SMPACK



TE Part #1-1393143-9  
27E166=SOCKET,KH,14,SCW,PLES



TE Part #9-1437504-7  
8080-1G35-LF=TRANSISTOR SOCKET



TE Part #1393130-7  
PRD-7AY0-120=PRD

## Documents

### CAD Files

[3D PDF](#)

[3D](#)

### Customer View Model

[ENG\\_CVM\\_CVM\\_2-1393122-6\\_C.2d\\_dxf.zip](#)

English

### Customer View Model

[ENG\\_CVM\\_CVM\\_2-1393122-6\\_C.3d\\_igs.zip](#)



English

**Customer View Model**

[ENG\\_CVM\\_CVM\\_2-1393122-6\\_C.3d\\_stp.zip](#)

English

By downloading the CAD file I accept and agree to the [Terms and Conditions](#) of use.

---

### Datasheets & Catalog Pages

[KHA General Purpose Dry Circuit to 5A Multicontact AC or DC Relay](#)

English

[Industrial Relays Quick Reference Guide](#)

English

[Industrial Relays Quick Reference Guide](#)

Japanese

[Industrial Relays Quick Reference Guide](#)

---

### Product Specifications

[Definitions, Handling, Processing, Testing and Use of Relays](#)

English