

Datasheet

2 Cup Suction Lifter

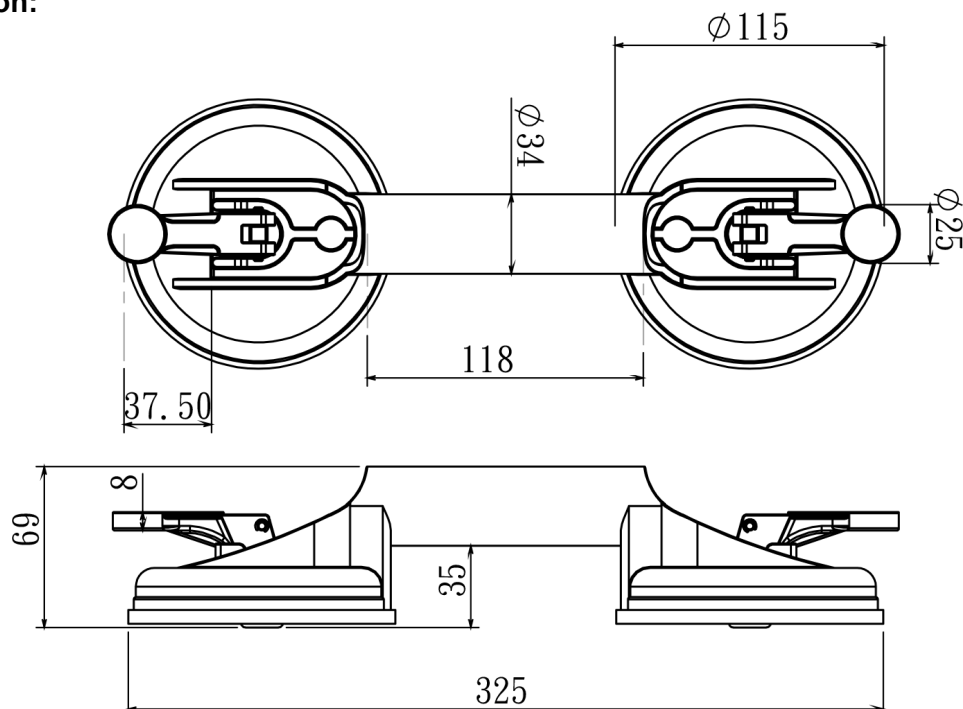
RS Stock number [285-355](#)



Specifications:

- Suction cup handle made with durable Aluminium material for strong grip.
- 80kg maximum lifting capacity in level.
- With two 115mm in diameter suction pad.
- Great for lifting glass, pulling dent, and handling glass, sheet metal material.
- Factory original max lifting capacity is 80kg, but lifting ratings may depending on storage environment, time and operating situation, suggested max lifting capacity is 50kg.

Dimension:



Unit:mm