

## Accessories, MS series

**FESTO**



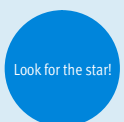
Festo core product range  
Covers 80% of your automation tasks

Worldwide:  
Superb:  
Easy:

Always in stock  
Festo quality at an attractive price  
Reduces procurement and storing complexity

★ Generally ready for shipping ex works in 24 hours  
Held in stock in 13 service centres worldwide  
More than 2200 product





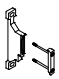
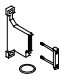
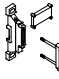

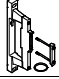
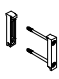

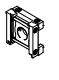



★ Generally ready for shipping ex works in 5 days  
Assembled for you in 4 service centres worldwide  
Up to  $6 \times 10^{12}$  variants per product series



# Accessories, MS series

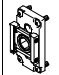
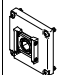
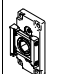
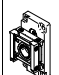


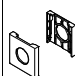
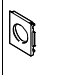
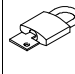
Product range overview

FESTO

Type	Accessories for size				
	MS4	MS6	MS9	MS12	
<b>Mounting attachments for individual devices</b>					
Mounting bracket MS-WB		■ → 4	■ → 4	-	-
Mounting bracket MS-WBM		■ → 5	-	-	-
Mounting bracket MS-WR		■ → 6	■ → 6	-	-
Hex nut MS-WRS		■ → 7	■ → 7	-	-
<b>Mounting attachments for individual devices/combinations</b>					
Mounting bracket MS-WP		■ → 9	■ → 9	■ → 18	■ → 22
Mounting bracket MS-WPB		■ → 10	■ → 10	■ → 19	-
Mounting bracket MS-WPM		■ → 11	■ → 11	■ → 20	-
Mounting bracket MS-WPE		■ → 13	■ → 13	-	-
Wall mounting-SET MS-WPG		-	■ → 14	-	-
<b>Connectors</b>					
Module connector MS-MV		■ → 15	■ → 15	■ → 21	■ → 23
Module connector MS-MVM		■ → 15	■ → 15	-	-
Module connector MS-RMV		■ → 24	■ → 24	■ → 30	-
Module connector MS-AMV		■ → 24	■ → 24	-	-
		-	■ → 27	■ → 27	-
Module connector MS-ARMV		-	■ → 27	■ → 27, 30	■ → 30

# Accessories, MS series

Product range overview

Type		Accessories for size			
		MS4	MS6	MS9	MS12
<b>Adapters for mounting on profiles</b>					
Power supply modules MS-E-IPM-40-80		■ → 33	■ → 33	-	-
Power supply modules MS-E-IPM-80-80		■ → 33	■ → 33	-	-
Branching modules MS-A-IPM-80		■ → 33	■ → 33	-	-
Branching modules MS-A-RMV-IPM-80		■ → 33	■ → 33	-	-
Sealing rings MS-NNR		■ → 33	■ → 33	-	-
<b>Cover plates</b>					
Connecting plate-SET MS-AG.../MS-AQ...		■ → 39	■ → 39	■ → 41	■ → 42
Cover plate MS-END		■ → 40	■ → 40	-	-
Mounting plate MS-AEND		■ → 40	■ → 40	-	-
<b>Security components</b>					
Padlock LRVS-D		■ → 43	■ → 43	■ → 43	■ → 43

# Accessories, MS series

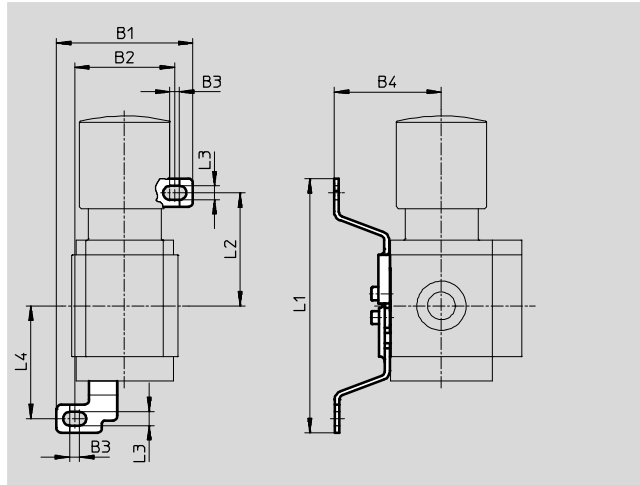
Mounting attachments MS4/MS6



## Mounting bracket MS4/6-WB

(order code: WB)

- For wall mounting



Operating and environmental conditions		
Temperature of medium	[°C]	-10 ... +60
Corrosion resistance class CRC <sup>1)</sup>		2

1) Corrosion resistance class CRC 2 to Festo standard FN 940070  
Moderate corrosion stress. Indoor applications in which condensation may occur. External visible parts with primarily decorative requirements for the surface and which are in direct contact with the ambient atmosphere typical for industrial applications.

Materials	
Bracket	Steel
Screws	Steel
Note on materials	RoHS-compliant
	Free of copper and PTFE

## ★ Core product range

Dimensions and ordering data											
Size	B1	B2	B3	B4	L1	L2	L3	L4	Weight [g]	Part No.	Type
MS4	56.2	41.2	4	44.2	104.6	46.6	5.6	46.5	46	★ 532185	MS4-WB
MS6	79.4	61.9	4.5	55	157.6	71	6.6	71	121	★ 532196	MS6-WB

Festo core product range

- ★ Generally ready for shipping ex works in 24 hours
- ☆ Generally ready for shipping ex works in 5 days

# Accessories, MS series

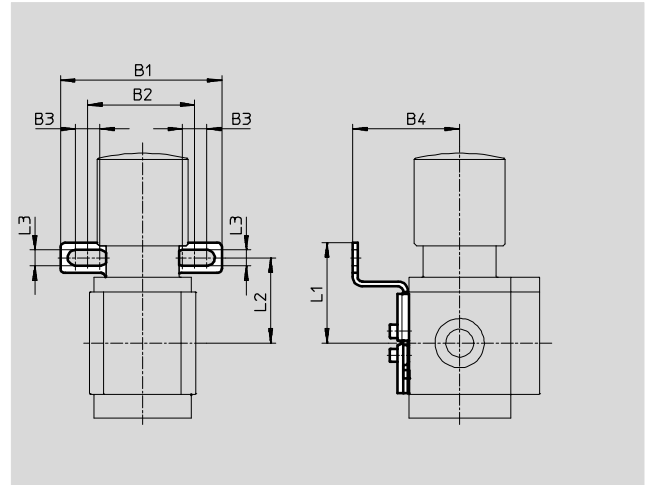
Mounting attachments MS4/MS6



## Mounting bracket MS4-WBM

(order code: WBM)

- For wall mounting



Operating and environmental conditions		
Temperature of medium	[°C]	-10 ... +60
Corrosion resistance class CRC <sup>1)</sup>		2

1) Corrosion resistance class CRC 2 to Festo standard FN 940070  
Moderate corrosion stress. Indoor applications in which condensation may occur. External visible parts with primarily decorative requirements for the surface and which are in direct contact with the ambient atmosphere typical for industrial applications.

Materials	
Bracket	Steel
Screws	Steel
Note on materials	RoHS-compliant
	Free of copper and PTFE

Dimensions and ordering data										
Size	B1	B2	B3	B4	L1	L2	L3	Weight [g]	Part No.	Type
MS4	66.5	44	10	44	41.3	35	6.5	48	526062	MS4-WBM

# Accessories, MS series

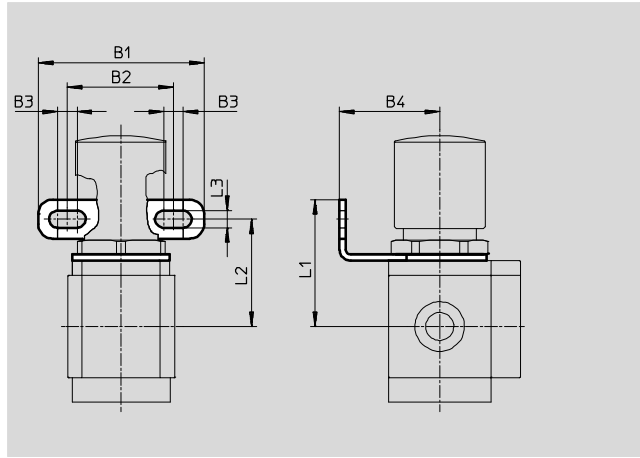
Mounting attachments MS4/MS6




## Mounting bracket MS4/6-WR

(order code: WR)

- For wall mounting
- For filter regulator, pressure regulator



 Note  
The hex nut for attaching components to this bracket must be ordered separately.

Operating and environmental conditions		
Temperature of medium	[°C]	-10 ... +60
Corrosion resistance class CRC <sup>1)</sup>		2

1) Corrosion resistance class CRC 2 to Festo standard FN 940070  
Moderate corrosion stress. Indoor applications in which condensation may occur. External visible parts with primarily decorative requirements for the surface and which are in direct contact with the ambient atmosphere typical for industrial applications.

Materials	
Bracket	Steel
Note on materials	RoHS-compliant
	Free of copper and PTFE

## ★ Core product range

Dimensions and ordering data										
Size	B1	B2	B3	B4	L1	L2	L3	Weight [g]	Part No.	Type
MS4	68	44	8	41	52	44	7	49	★ 526064	MS4-WR
MS6	70	42	8.2	40	67	57	7.1	90	★ 526075	MS6-WR

Festo core product range

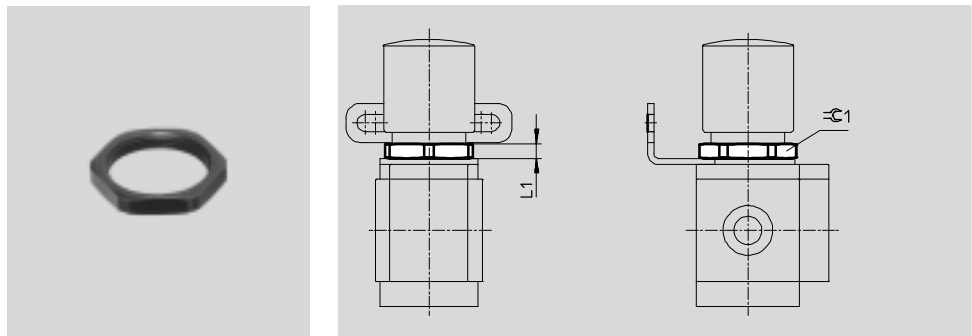
- ★ Generally ready for shipping ex works in 24 hours
- ☆ Generally ready for shipping ex works in 5 days

## Accessories, MS series

Mounting attachments MS4/MS6

### Hex nut MS4/6-WRS

- For front panel mounting
- For attaching the mounting bracket MS...-WR



Operating and environmental conditions		
Temperature of medium [°C]		-10 ... +60
Corrosion resistance class CRC <sup>1)</sup>		2

1) Corrosion resistance class CRC 2 to Festo standard FN 940070  
 Moderate corrosion stress. Indoor applications in which condensation may occur. External visible parts with primarily decorative requirements for the surface and which are in direct contact with the ambient atmosphere typical for industrial applications.

Materials	
Nut	Wrought aluminium alloy
Note on materials	RoHS-compliant
	Free of copper and PTFE

Dimensions and ordering data						
Size	L1	⌀ 1	Weight [g]	Part No.	Type	
MS4	6	36	6.9	532187	MS4-WRS	
MS6	7	55	20.9	532188	MS6-WRS	

# Accessories, MS series

Mounting attachments MS4/MS6

## Mounting bracket MS4/6-WP...

Clearances for mounting service unit combinations

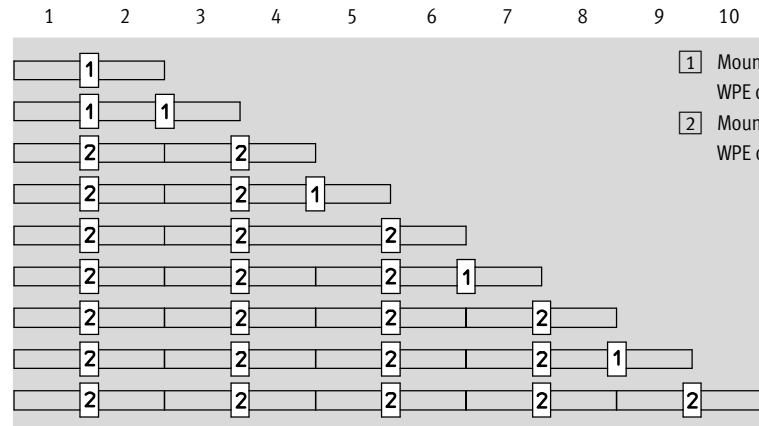
### Size MS4

- 1 service unit with MS4-WP... : 40.2 mm (20.1 mm)<sup>1)</sup>
- 2 service units with MS4-WP... : 80.4 mm (40.2 mm)<sup>1)</sup>

### Size MS6


- 1 service unit with
  - MS6-WP/WPB/WPE: 62 mm (31 mm)<sup>1)</sup>
  - MS6-WPM-D: 69 mm (38 mm)<sup>1)</sup>
- 2 service units with
  - MS6-WP/WPB/WPE: 124 mm (62 mm)<sup>1)</sup>
  - MS6-WPM-2D: 138 mm (76 mm)<sup>1)</sup>

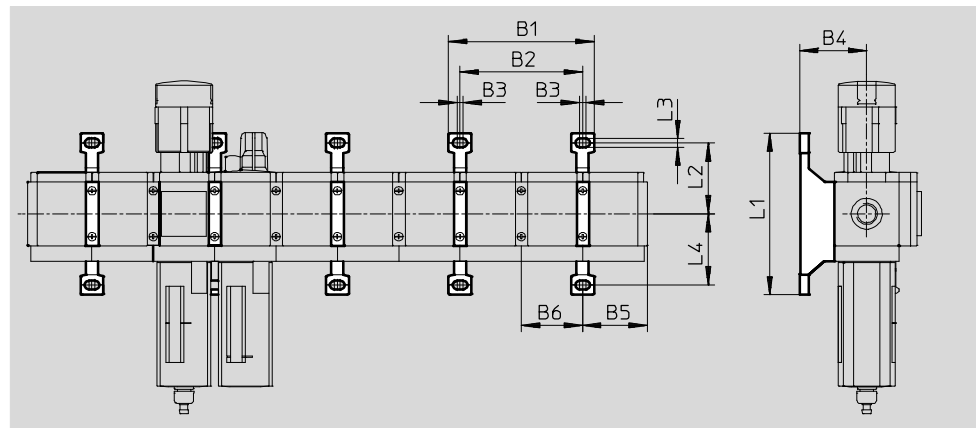
### Number of units



1) With distributor block MS-FRM-FRZ

## Mounting dimensions

-  Note  
The distributor block MS4/6-FRM-FRZ has a dimension of half grid width.



Type	2 service units with grid dimension		1 service unit with grid dimension and 1 distributor block MS-FRM-FRZ		2 distributor blocks MS-FRM-FRZ		B3	B4	Service unit with grid dimension		Distributor block MS-FRM-FRZ		L1	L2	L3	L4
	B1	B2	B1	B2	B1	B2			B5 <sup>1)</sup>	B6	B5 <sup>1)</sup>	B6				
<b>MS4-WP</b>	95.4	80.4	75.3	60.3	55.2	40.2	4	44	41.9	40.2	21.8	20.1	106	46.5	5.6	46.7
<b>MS4-WPB/WPE</b>								66								
<b>MS4-WPM-...D</b>								44								
<b>MS6-WP</b>	141	124	110	93	79	62	4.5	54.1	64.5	62	33.5	31	158	71	6.6	71
<b>MS6-WPB/WPE</b>								90.5								
<b>MS6-WPM-...D</b>								168								

1) With accessory cover plate MS-END



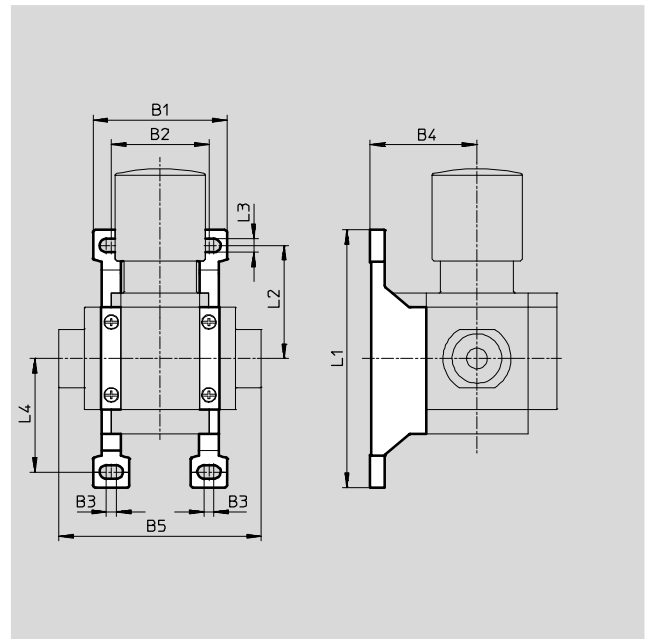
## Accessories, MS series

Mounting attachments MS4/MS6

### Mounting bracket MS4/6-WP

(order code: WP)

- For connecting modules via wall mounting
- In combination with a connecting plate MS4/6-AG... for individual wall mounting
- In combination with mounting plate MS4/6-AEND for individual wall mounting via direct thread
- For pressure regulator LRB with angled outlet block B... at rear
- Same wall gap for combination with MS4 and MS6 series



### Operating and environmental conditions

Temperature of medium [°C]	-10 ... +60
Corrosion resistance class CRC <sup>1)</sup>	2

1) Corrosion resistance class CRC 2 to Festo standard FN 940070

Moderate corrosion stress. Indoor applications in which condensation may occur. External visible parts with primarily decorative requirements for the surface and which are in direct contact with the ambient atmosphere typical for industrial applications.

### Materials

Bracket	Die-cast aluminium
Module connector	POM, Steel
Screws	Steel
Seals	NBR
Note on materials	RoHS-compliant Free of copper and PTFE

### ★ Core product range

Dimensions and ordering data												
Size	B1	B2	B3	B4	B5	L1	L2	L3	L4	Weight [g]	Part No.	Type
MS4	55.2	40.2	4	44	83.4	106	46.5	5.6	46.7	39	★ 532184	MS4-WP
MS6	79	62	4.5	54.1	115	158	71	6.6	71	76	★ 532195	MS6-WP
For use in explosive areas in zones 2 and 22												
MS4	55.2	40.2	4	44	83.4	106	46.5	5.6	46.7	39	541554	MS4-WP-EX
MS6	79	62	4.5	54.1	115	158	71	6.6	71	76	541544	MS6-WP-EX

Festo core product range

- ★ Generally ready for shipping ex works in 24 hours
- ☆ Generally ready for shipping ex works in 5 days

# Accessories, MS series

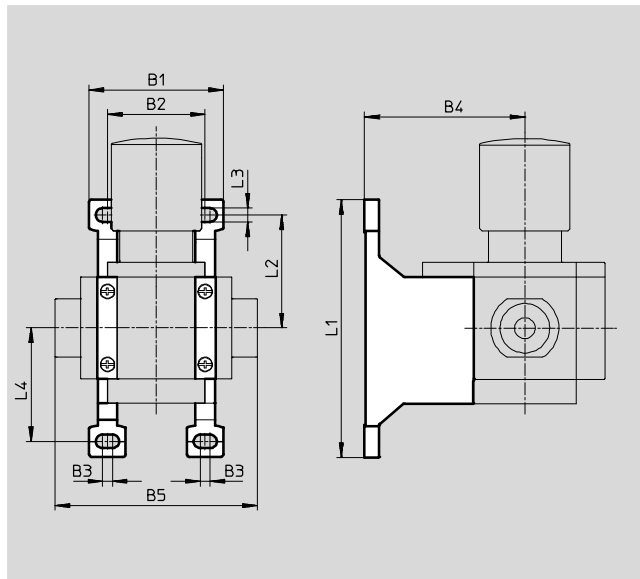
Mounting attachments MS4/MS6



## Mounting bracket MS4/6-WPB

(order code: WPB)

- For connecting modules via wall mounting
- In combination with a connecting plate MS4/6-AG... for individual wall mounting
- In combination with mounting plate MS4/6-AEND for individual wall mounting via direct thread
- Provides large wall gap for pressure regulator



Operating and environmental conditions	
Temperature of medium [°C]	-10 ... +60
Corrosion resistance class CRC <sup>1)</sup>	2

1) Corrosion resistance class CRC 2 to Festo standard FN 940070  
 Moderate corrosion stress. Indoor applications in which condensation may occur. External visible parts with primarily decorative requirements for the surface and which are in direct contact with the ambient atmosphere typical for industrial applications.

Materials	
Bracket	Die-cast aluminium
Module connector	POM, Steel
Screws	Steel
Seals	NBR
Note on materials	RoHS-compliant Free of copper and PTFE

## ★ Core product range

Dimensions and ordering data												
Size	B1	B2	B3	B4	B5	L1	L2	L3	L4	Weight [g]	Part No.	Type
MS4	55.2	40.2	4	66	83.4	106	46.5	5.6	46.7	55	★ 526063	MS4-WPB
MS6	79	62	4.5	90.5	115	158	71	6.6	71	115	★ 526074	MS6-WPB
For use in explosive areas in zones 2 and 22												
MS4	55.2	40.2	4	66	83.4	106	46.5	5.6	46.7	55	541552	MS4-WPB-EX
MS6	79	62	4.5	90.5	115	158	71	6.6	71	115	541542	MS6-WPB-EX

Festo core product range      ★ Generally ready for shipping ex works in 24 hours  
 ☆ Generally ready for shipping ex works in 5 days

# Accessories, MS series

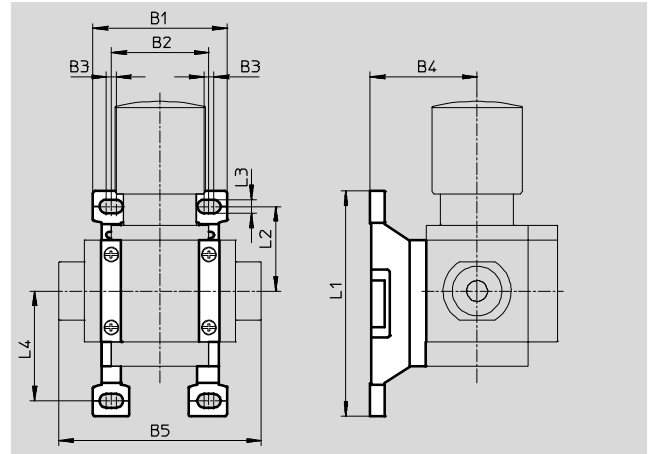
Mounting attachments MS4/MS6

## Mounting bracket MS4-WPM

(order code: WPM)

- For connecting modules via wall mounting
- In combination with a connecting plate MS4-AG... for individual wall mounting
- Speedy attachment and detachment
- For installation of modules with regulating knob pointing downwards

The distance piece D or 2D (designated in the type code) is included in the scope of delivery and ensures the correct clearance



Operating and environmental conditions	
Temperature of medium [°C]	-10 ... +60
Corrosion resistance class CRC <sup>1)</sup>	2

1) Corrosion resistance class CRC 2 to Festo standard FN 940070  
 Moderate corrosion stress. Indoor applications in which condensation may occur. External visible parts with primarily decorative requirements for the surface and which are in direct contact with the ambient atmosphere typical for industrial applications.

Materials	
Bracket	Die-cast aluminium
Module connector	POM, Steel
Screws	Steel
Seals	NBR
Note on materials	RoHS-compliant Free of copper and PTFE

## ★ Core product range

Dimensions and ordering data													
Size	B1	B2	B3	B4	B5	L1	L2	L3	L4	Clearance	Weight [g]	Part No.	Type
MS4	55.2	40.2	4	44	83.4	92.8	34.8	5.6	45.2	40.2	45	★ 526060	MS4-WPM-D
	95.4	80.4			123.4					80.4	55	526061	MS4-WPM-2D

Festo core product range

- ★ Generally ready for shipping ex works in 24 hours
- ☆ Generally ready for shipping ex works in 5 days

# Accessories, MS series

Mounting attachments MS4/MS6

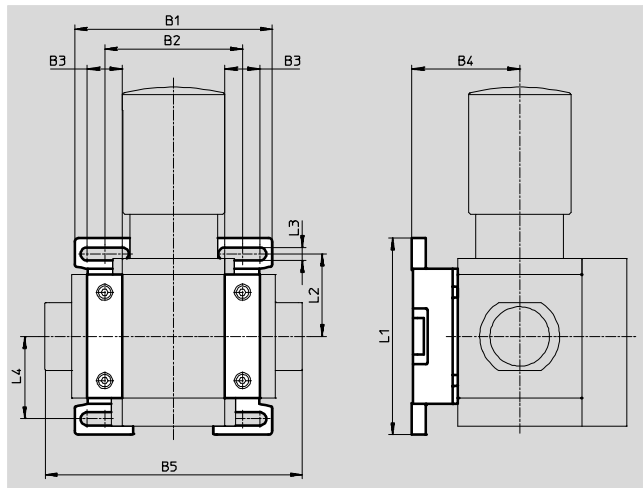


## Mounting bracket MS6-WPM

(order code: WPM)

- For connecting modules via wall mounting
- In combination with a connecting plate MS6-AG... for individual wall mounting
- Speedy attachment and detachment
- For installation of modules with regulating knob pointing downwards

The distance piece D or 2D (designated in the type code) is included in the scope of delivery and ensures the correct clearance



Operating and environmental conditions	
Temperature of medium [°C]	-10 ... +60
Corrosion resistance class CRC <sup>1)</sup>	2

1) Corrosion resistance class CRC 2 to Festo standard FN 940070  
 Moderate corrosion stress. Indoor applications in which condensation may occur. External visible parts with primarily decorative requirements for the surface and which are in direct contact with the ambient atmosphere typical for industrial applications.

Materials	
Bracket	Die-cast aluminium
Module connector	Die-cast aluminium
Screws	Steel
Seals	NBR
Note on materials	RoHS-compliant Free of copper and PTFE

## ★ Core product range

Dimensions and ordering data													
Size	B1	B2	B3	B4	B5	L1	L2	L3	L4	Clearance	Weight [g]	Part No.	Type
MS6	99	69	17.5	54.1	129	98.6	41.3	6.6	41.3	69	144	★ 526073	MS6-WPM-D
	168	138			198					138		532186	MS6-WPM-2D

Festo core product range      ★ Generally ready for shipping ex works in 24 hours  
 ☆ Generally ready for shipping ex works in 5 days

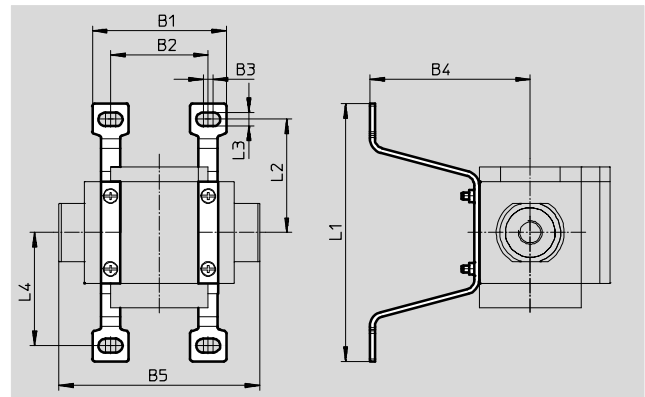
## Accessories, MS series

Mounting attachments MS4/MS6

### Mounting bracket MS4/6-WPE

- Inexpensive alternative to mounting bracket MS4/6-WPB

Note on materials:  
RoHS-compliant



Dimensions and ordering data												
Size	B1	B2	B3	B4	B5	L1	L2	L3	L4	CRC <sup>1)</sup>	Part No.	Type
MS4	55.2	40.2	4.2	66	83.4	106	46.6	5.7	46.6	2	<b>558869</b>	<b>MS4-WPE</b>
MS6	79	62	4.3	90.5	115	158	71	6.5	71	2	<b>1025936</b>	<b>MS6-WPE</b>

1) Corrosion resistance class CRC 2 to Festo standard FN 940070

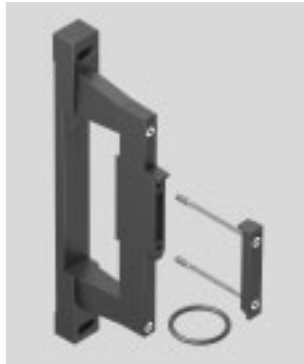
Moderate corrosion stress. Indoor applications in which condensation may occur. External visible parts with primarily decorative requirements for the surface and which are in direct contact with the ambient atmosphere typical for industrial applications.

## Accessories, MS series

Mounting attachments MS4/MS6

### Wall mounting-SET MS6-WPG

- For connecting modules via wall mounting
- Same wall gap for combination with MS6 and MSE6 series

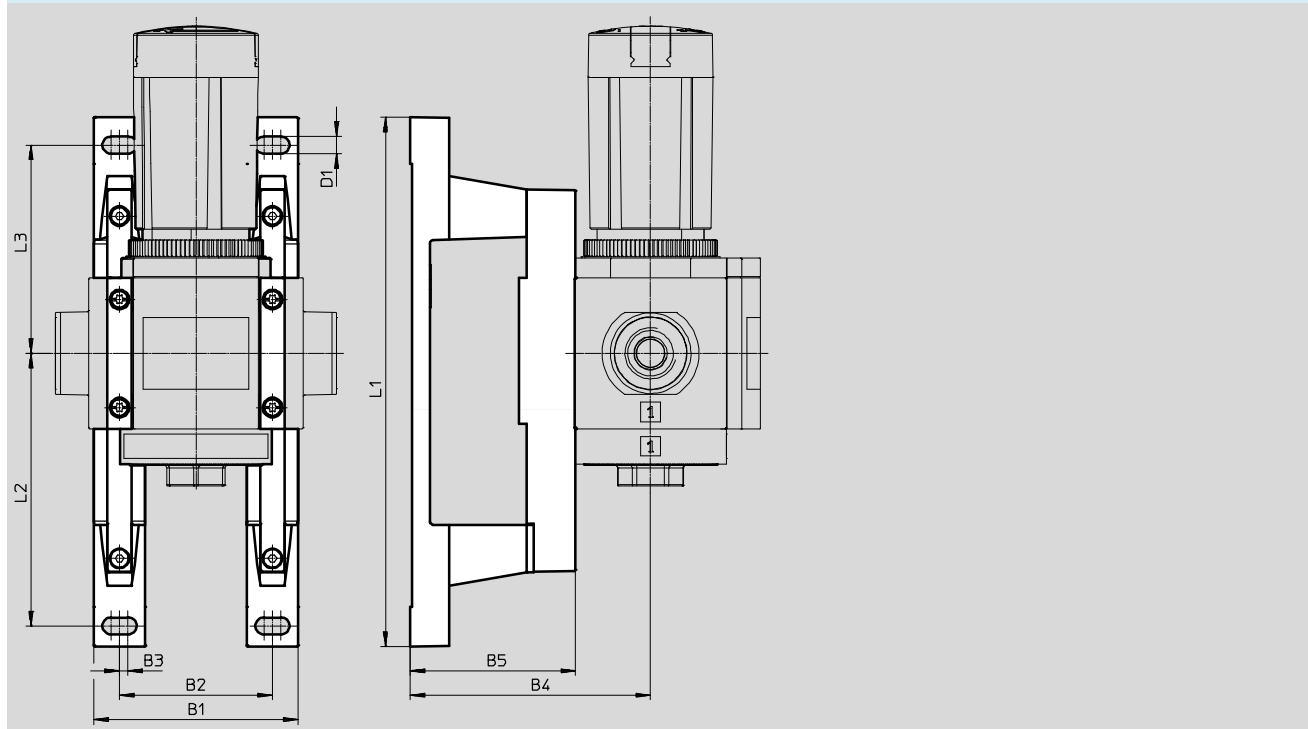


Operating and environmental conditions		
Temperature of medium [°C]		-10 ... +60
Corrosion resistance class CRC <sup>1)</sup>		2

1) Corrosion resistance class CRC 2 to Festo standard FN 940070  
 Moderate corrosion stress. Indoor applications in which condensation may occur. External visible parts with primarily decorative requirements for the surface and which are in direct contact with the ambient atmosphere typical for industrial applications.

Materials	
Bracket	Die-cast aluminium
Module connector	POM, Steel
Screws	Steel
Seals	NBR
Note on materials	RoHS-compliant Free of copper and PTFE

### Dimensions Download CAD data → [www.festo.com](http://www.festo.com)



Dimensions and ordering data												
Size	B1	B2	B3	B4	B5	D1	L1	L2	L3	Weight [g]	Part No.	Type
MS6	84	62	3.5	99	68	7	217	111	86	245	<b>8072794</b>	<b>MS6-WPG</b>

## Accessories, MS series

Mounting attachments MS4/MS6

### Module connector MS4/6-MV

- For connecting modules



#### Operating and environmental conditions

Temperature of medium [°C]	-10 ... +60
Corrosion resistance class CRC <sup>1)</sup>	2

1) Corrosion resistance class CRC 2 to Festo standard FN 940070

Moderate corrosion stress. Indoor applications in which condensation may occur. External visible parts with primarily decorative requirements for the surface and which are in direct contact with the ambient atmosphere typical for industrial applications.

#### Materials

Module connector	POM, Steel
Screws	Steel
Seals	NBR
Note on materials	RoHS-compliant Free of copper and PTFE

### ★ Core product range

#### Ordering data

Size	Weight [g]	Part No.	Type
MS4	36	★ 532798	MS4-MV
MS6	54	★ 532799	MS6-MV
For use in explosive areas in zones 2 and 22			
MS4	36	541553	MS4-MV-EX
MS6	54	541543	MS6-MV-EX

Festo core product range

★ Generally ready for shipping ex works in 24 hours

☆ Generally ready for shipping ex works in 5 days

# Accessories, MS series

Mounting attachments MS4/MS6

## Module connector MS4/6-MVM

- For installation of modules with regulating knob pointing downwards



Operating and environmental conditions	
Temperature of medium [°C]	-10 ... +60
Corrosion resistance class CRC <sup>1)</sup>	2

1) Corrosion resistance class CRC 2 to Festo standard FN 940070  
 Moderate corrosion stress. Indoor applications in which condensation may occur. External visible parts with primarily decorative requirements for the surface and which are in direct contact with the ambient atmosphere typical for industrial applications.

Materials		
Size	MS4	MS6
Module connector	POM, Steel	Die-cast aluminium
Plate	Die-cast aluminium	
Screws	Steel	
Seals	NBR	
Note on materials	RoHS-compliant	
	Free of copper and PTFE	

## ★ Core product range

Ordering data			
Size	Weight [g]	Part No.	Type
MS4	19	★ 532800	MS4-MVM
MS6	89	★ 532801	MS6-MVM



# Accessories, MS series

Mounting attachments MS9

## Mounting bracket MS9-WP...

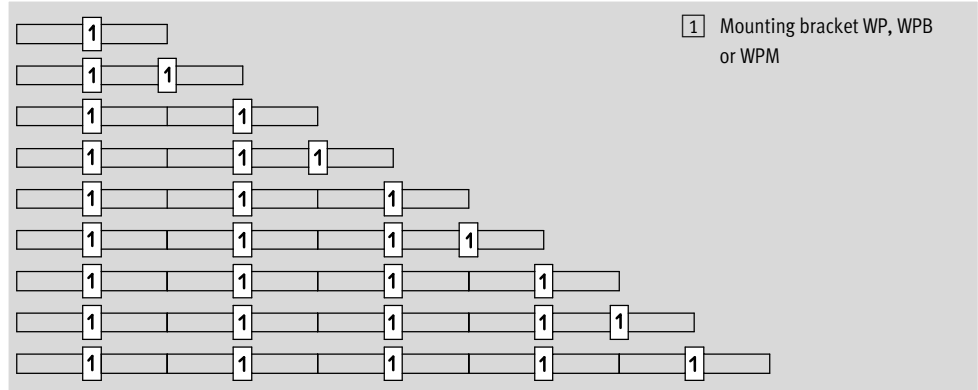
Clearances for mounting service unit combinations

1 service unit: 90 mm

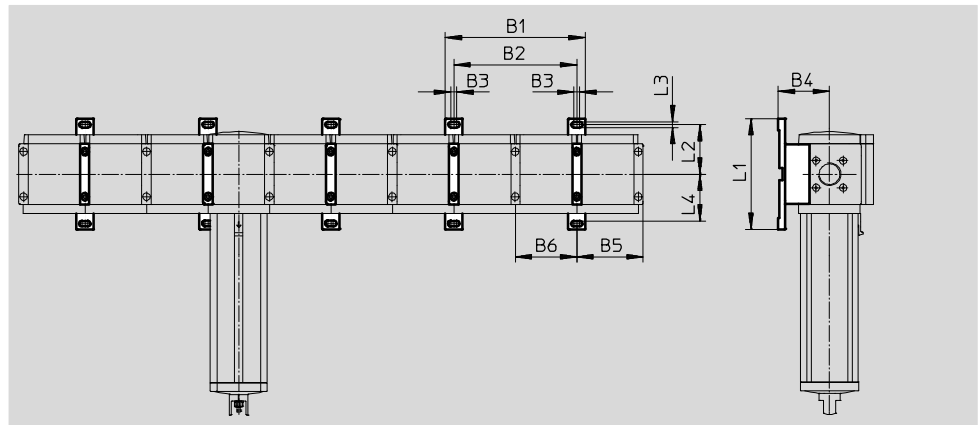
2 service units: 180 mm

Number of units

1 2 3 4 5 6 7 8 9 10



## Mounting dimensions



Type	B1	B2	B3	B4	B5	B6	L1	L2	L3	L4
MS9-WP	205	180	8.5	75	97	90	162	72.75	8.3	72.25
MS9-WPB				99						
MS9-WPM				90.5						

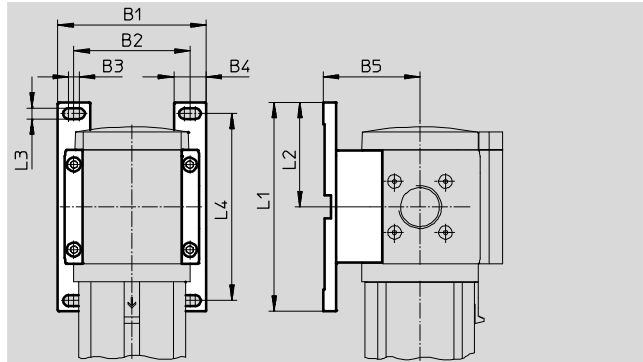
# Accessories, MS series

Mounting attachments MS9

## Mounting bracket MS9-WP

(order code: WP)

- For connecting modules via wall mounting
- In combination with a connecting plate MS9-AG... for individual wall mounting




Operating and environmental conditions		
Temperature of medium [°C]		-10 ... +60
Corrosion resistance class CRC <sup>1)</sup>		2

1) Corrosion resistance class CRC 2 to Festo standard FN 940070  
 Moderate corrosion stress. Indoor applications in which condensation may occur. External visible parts with primarily decorative requirements for the surface and which are in direct contact with the ambient atmosphere typical for industrial applications.

Materials	
Bracket	Die-cast aluminium
Module connector	Die-cast aluminium
Hollow bolt	Die-cast aluminium
Screws	Steel
Seals	NBR
Note on materials	RoHS-compliant
	Free of copper and PTFE

Dimensions and ordering data												
Size	B1	B2	B3	B4	B5	L1	L2	L3	L4	Weight [g]	Part No.	Type
MS9	115	90	8.5	25	75	162	81.25	8.3	145	180	552947	MS9-WP

 - Note  
 The housing of the on-off valves MS9-EM or MS9-EE partially cover the screws for the wall bracket on the reverse side. Depending on the configuration of a service unit combination, the screws will no longer be accessible. The mounting bracket MS9-WPM is therefore recommended for wall mounting.

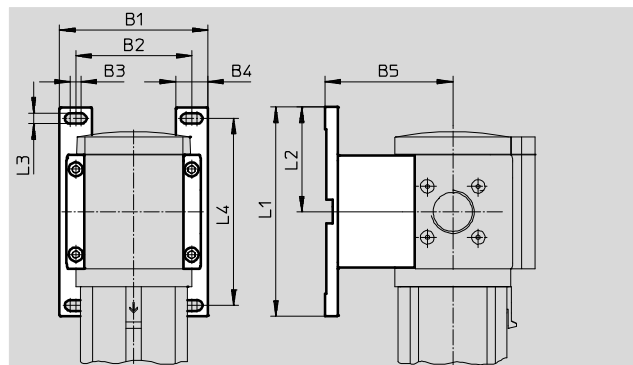
# Accessories, MS series

Mounting attachments MS9

## Mounting bracket MS9-WPB

(order code: WPB)

- For connecting modules via wall mounting
- In combination with a connecting plate MS9-AG... for individual wall mounting
- Same wall gap for combination with MS12 series using the mounting bracket MS12-WP




Operating and environmental conditions		
Temperature of medium [°C]		-10 ... +60
Corrosion resistance class CRC <sup>1)</sup>		2

1) Corrosion resistance class CRC 2 to Festo standard FN 940070  
 Moderate corrosion stress. Indoor applications in which condensation may occur. External visible parts with primarily decorative requirements for the surface and which are in direct contact with the ambient atmosphere typical for industrial applications.

Materials	
Bracket	Die-cast aluminium
Module connector	Die-cast aluminium
Hollow bolt	Die-cast aluminium
Screws	Steel
Seals	NBR
Note on materials	RoHS-compliant
	Free of copper and PTFE

Dimensions and ordering data												
Size	B1	B2	B3	B4	B5	L1	L2	L3	L4	Weight [g]	Part No.	Type
MS9	115	90	8.5	25	99	162	81.25	8.3	145	210	552949	MS9-WPB

 Note

The housing of the on-off valves MS9-EM or MS9-EE partially cover the screws for the wall bracket on the reverse side. Depending on the configuration of a service unit combination, the screws will no longer be accessible. The mounting bracket MS9-WPB is therefore recommended for wall mounting.

# Accessories, MS series

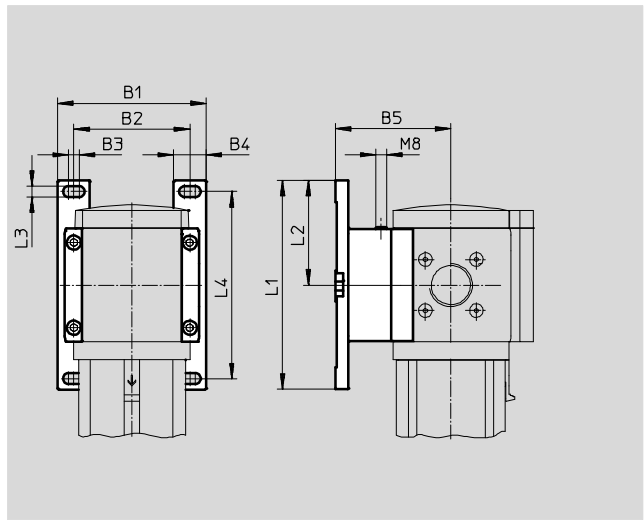
Mounting attachments MS9

## Mounting bracket MS9-WPM

(order code: WPM)

- For connecting modules via wall mounting
- In combination with a connecting plate MS9-AG... for individual wall mounting
- Speedy attachment and detachment
- Same wall gap for combination with MS6 series using the mounting bracket MS6-WPB

The distance pieces included in the scope of delivery ensure the correct clearance.



Operating and environmental conditions		
Temperature of medium [°C]		-10 ... +60
Corrosion resistance class CRC <sup>1)</sup>		2

1) Corrosion resistance class CRC 2 to Festo standard FN 940070  
 Moderate corrosion stress. Indoor applications in which condensation may occur. External visible parts with primarily decorative requirements for the surface and which are in direct contact with the ambient atmosphere typical for industrial applications.

Materials	
Bracket	Die-cast aluminium
Module connector	Die-cast aluminium
Hollow bolt	Die-cast aluminium
Screws	Steel
Seals	NBR
Note on materials	RoHS-compliant Free of copper and PTFE

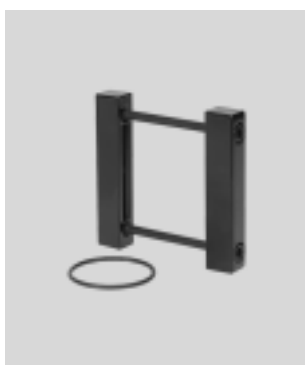
Dimensions and ordering data												
Size	B1	B2	B3	B4	B5	L1	L2	L3	L4	Weight [g]	Part No.	Type
MS9	115	90	8.5	25	90.5	162	81.25	8.3	145	220	552948	MS9-WPM

## Accessories, MS series

Mounting attachments MS9

### Module connector MS9-MV

- For connecting modules



Operating and environmental conditions		
Temperature of medium	[°C]	-10 ... +60
Corrosion resistance class CRC <sup>1)</sup>		2

- 1) Corrosion resistance class CRC 2 to Festo standard FN 940070  
 Moderate corrosion stress. Indoor applications in which condensation may occur. External visible parts with primarily decorative requirements for the surface and which are in direct contact with the ambient atmosphere typical for industrial applications.

Materials	
Module connector	Die-cast aluminium
Hollow bolt	Die-cast aluminium
Screws	Steel
Seals	NBR
Note on materials	RoHS-compliant
	Free of copper and PTFE

Ordering data			
Size	Weight [g]	Part No.	Type
MS9	110	552950	MS9-MV

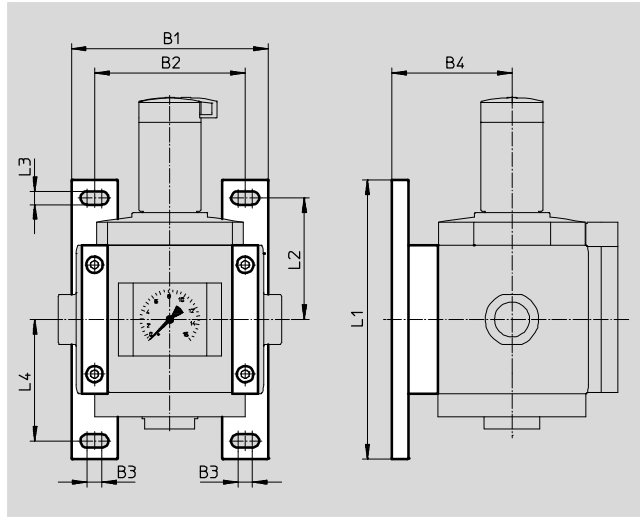
# Accessories, MS series

Mounting attachments MS12

## Mounting bracket MS12-WP

(order code: WP)

- For connecting modules via wall mounting
- In combination with a connecting plate for individual wall mounting



Operating and environmental conditions		
Temperature of medium	[°C]	-10 ... +60
Storage temperature	[°C]	-10 ... +60
Corrosion resistance class CRC <sup>1)</sup>		2

1) Corrosion resistance class CRC 2 to Festo standard FN 940070  
 Moderate corrosion stress. Indoor applications in which condensation may occur. External visible parts with primarily decorative requirements for the surface and which are in direct contact with the ambient atmosphere typical for industrial applications.

Materials	
Bracket	Die-cast aluminium
Plate	Die-cast aluminium
Screws	Steel
Seals	NBR
Note on materials	RoHS-compliant Free of copper and PTFE

Dimensions and ordering data											
Size	B1	B2	B3	B4	L1	L2	L3	L4	Weight [g]	Part No.	Type
MS12	162	124	12	99	230	100	11	100	700	537133	MS12-WP

## Accessories, MS series

Mounting attachments MS12

### Module connector MS12-MV

- For connecting modules



Operating and environmental conditions		
Temperature of medium	[°C]	-10 ... +60
Storage temperature	[°C]	-10 ... +60
Corrosion resistance class CRC <sup>1)</sup>		2

1) Corrosion resistance class CRC 2 to Festo standard FN 940070

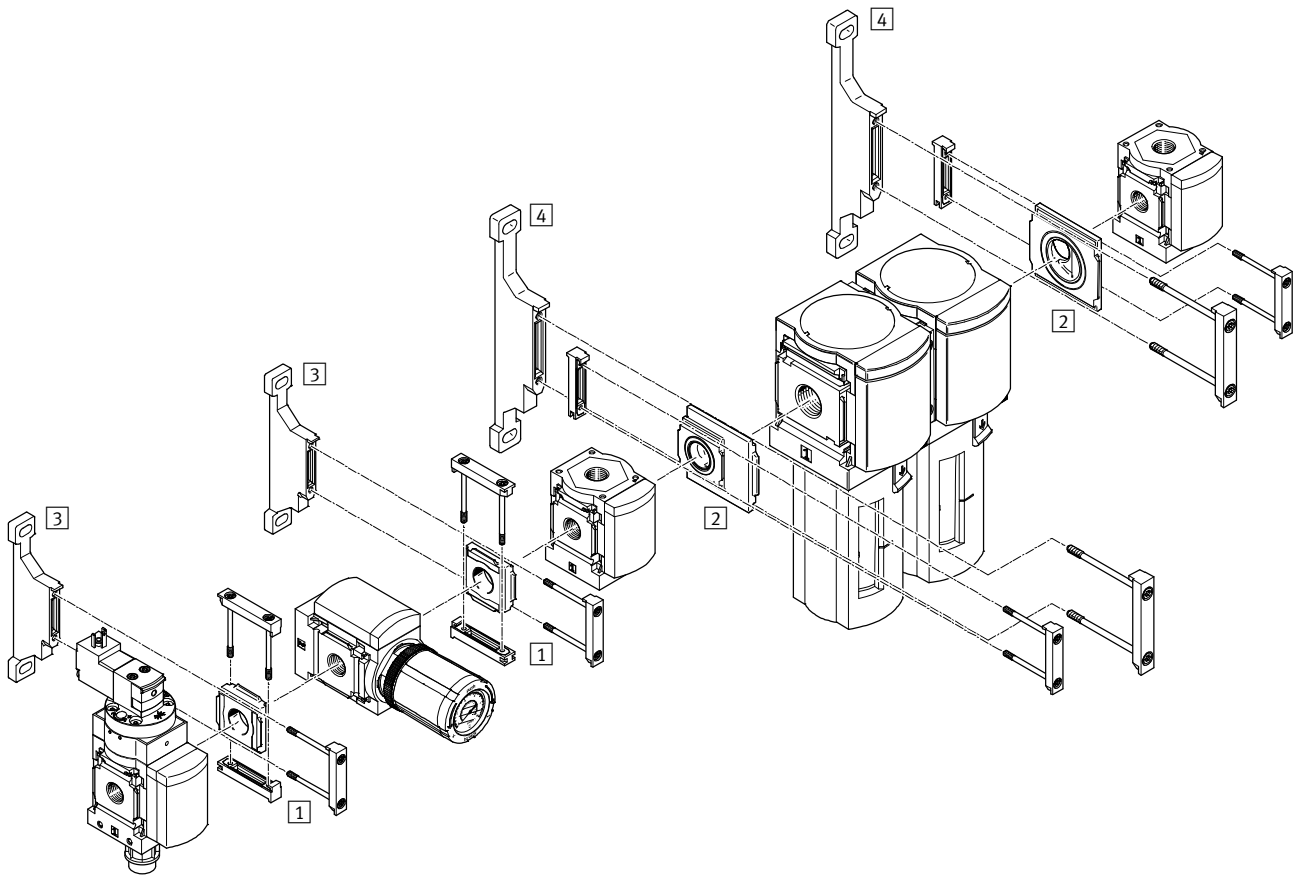
Moderate corrosion stress. Indoor applications in which condensation may occur. External visible parts with primarily decorative requirements for the surface and which are in direct contact with the ambient atmosphere typical for industrial applications.

Materials	
Plate	Die-cast aluminium
Screws	Steel
Seals	NBR
Note on materials	RoHS-compliant
	Free of copper and PTFE


Ordering data			
Size	Weight [g]	Part No.	Type
MS12	500	537134	MS12-MV

# Accessories, MS series

Mounting attachments MS4/MS6



Mounting attachments		→ Page/Internet
1	Module connector MS4/6-RMV	25
2	Module connector MS4-6-AMV	26
3	Mounting bracket MS4-WP	9
4	Mounting bracket MS6-WP	9

-  - Note  
Mounting attachments for wall  
mounting → 8



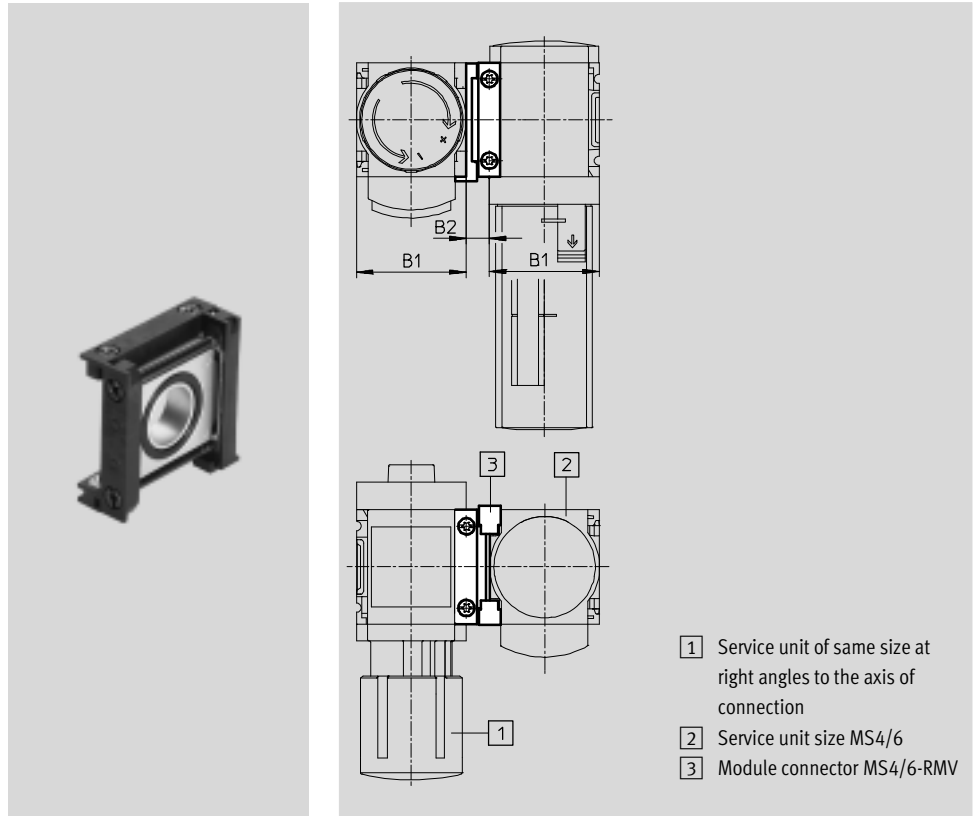
## Accessories, MS series

Mounting attachments MS4/MS6

FESTO

### Module connector MS4/6-RMV

- For connecting service units at right angles to the axis of connection



### Operating and environmental conditions

Temperature of medium [°C]	-10 ... +60
Corrosion resistance class CRC <sup>1)</sup>	2

- 1) Corrosion resistance class CRC 2 to Festo standard FN 940070  
Moderate corrosion stress. Indoor applications in which condensation may occur. External visible parts with primarily decorative requirements for the surface and which are in direct contact with the ambient atmosphere typical for industrial applications.

### Materials

Connecting plate	Die-cast aluminium
Module connector	Die-cast aluminium
Sealing ring	NBR
Note on materials	RoHS-compliant

### Dimensions and ordering data

Size	B1	B2	Weight [g]	Part No.	Type
MS4	40.2	8.5	42	543490	MS4-RMV
MS6	62	11	112	543491	MS6-RMV
For use in explosive areas in zones 2 and 22					
MS4	40.2	8.5	42	563393	MS4-RMV-EX
MS6	62	11	112	563394	MS6-RMV-EX

# Accessories, MS series

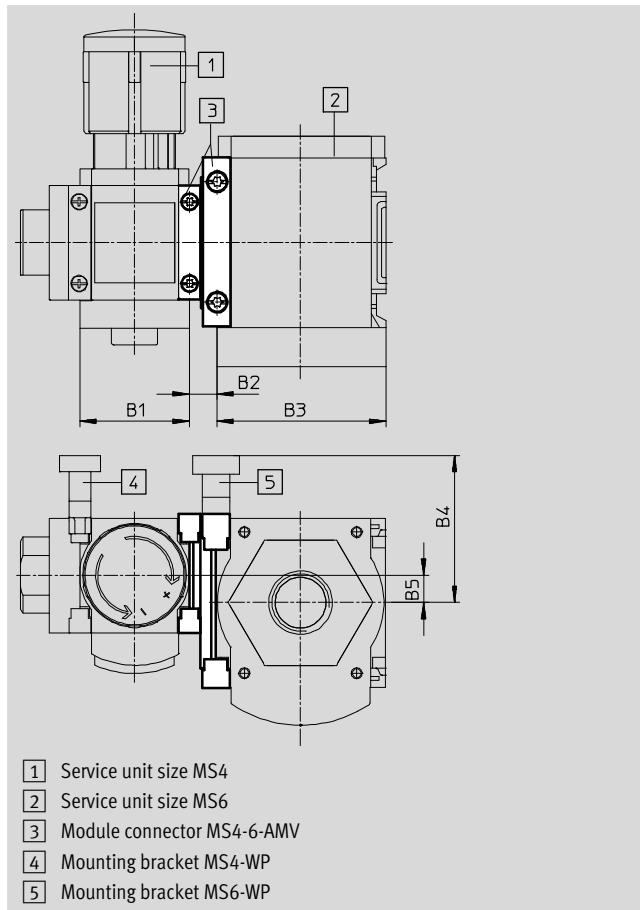
Mounting attachments MS4/MS6

## Module connector MS4-6-AMV

- For connecting MS4 and MS6 service units into one unit



**Note**  
The larger mounting bracket must always be used on the module connector. The mounting bracket must be ordered separately.



Operating and environmental conditions		
Temperature of medium [°C]		-10 ... +60
Corrosion resistance class CRC <sup>1)</sup>		2

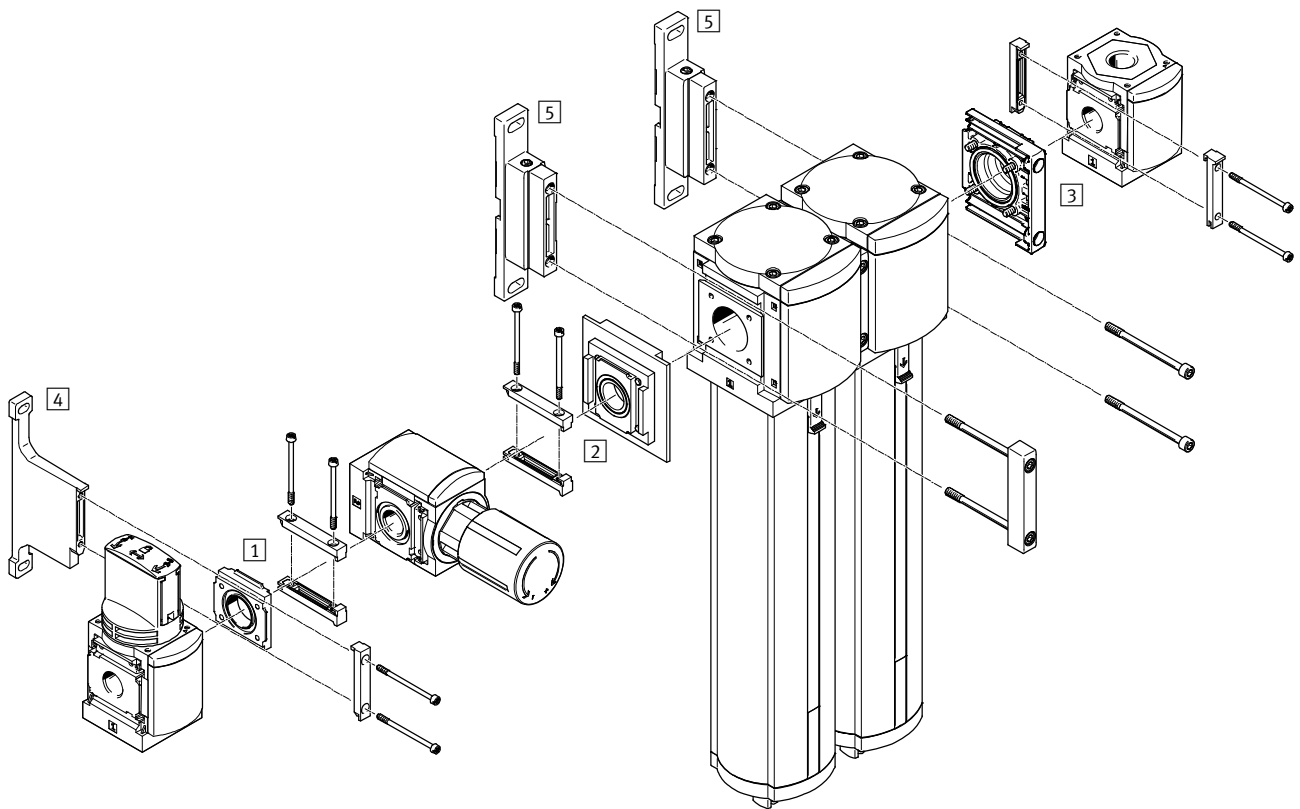
1) Corrosion resistance class CRC 2 to Festo standard FN 940070  
Moderate corrosion stress. Indoor applications in which condensation may occur. External visible parts with primarily decorative requirements for the surface and which are in direct contact with the ambient atmosphere typical for industrial applications.

Materials	
Connecting plate	Die-cast aluminium
Module connector	Die-cast aluminium
Sealing ring	NBR
Note on materials	RoHS-compliant

Dimensions and ordering data								
Size	B1	B2	B3	B4	B5	Weight [g]	Part No.	Type
MS4/6	40.2	10	62	54.1	10	77	543489	MS4-6-AMV
For use in explosive areas in zones 2 and 22								
MS4/6	40.2	10	62	54.1	10	77	563392	MS4-6-AMV-EX

# Accessories, MS series

Mounting attachments MS6/MS9



Mounting attachments		→ Page/Internet
1	Module connector MS6-RMV	25
2	Module connector MS6-9-ARMV	29
3	Module connector MS6-9-AMV	28
4	Mounting bracket MS6-WPB	10
5	Mounting bracket MS9-WPM	20

-  - Note

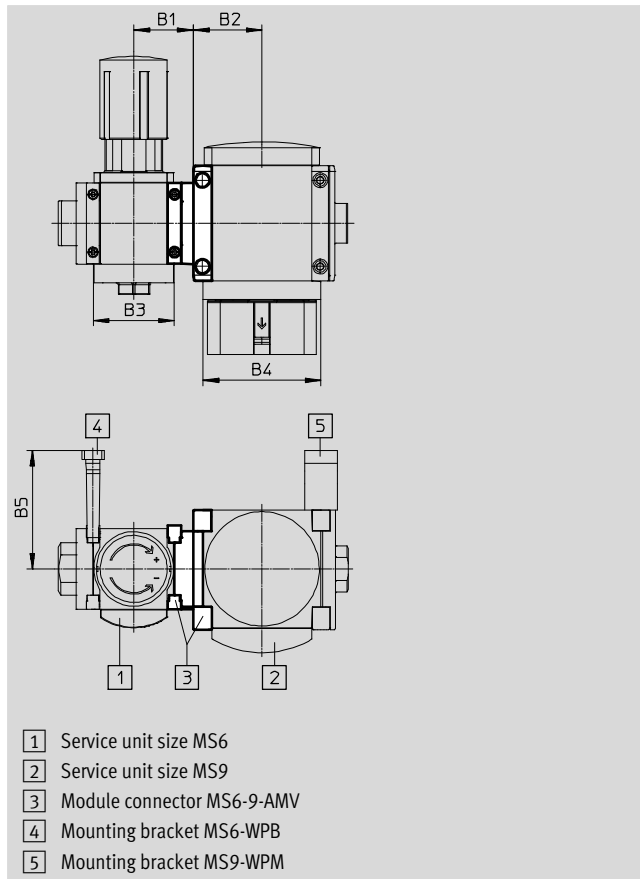
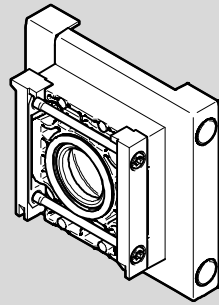
Same wall gap when using mounting brackets MS6-WPB and MS9-WPM within an MS6/9 combination.

## Accessories, MS series

Module connector MS6/MS9

### Module connector MS6-9-AMV

- For connecting MS6 and MS9 service units into one unit
- Mounting with mounting bracket possible



- 1** Service unit size MS6
- 2** Service unit size MS9
- 3** Module connector MS6-9-AMV
- 4** Mounting bracket MS6-WPB
- 5** Mounting bracket MS9-WPM

 **Note**

The larger mounting bracket must always be used on the module connector. The mounting bracket must be ordered separately.

### Operating and environmental conditions

Temperature of medium [°C]	-10 ... +60
Corrosion resistance class CRC <sup>1)</sup>	2


1) Corrosion resistance class CRC 2 to Festo standard FN 940070

Moderate corrosion stress. Indoor applications in which condensation may occur. External visible parts with primarily decorative requirements for the surface and which are in direct contact with the ambient atmosphere typical for industrial applications.

### Materials

Connecting plate	Die-cast aluminium
Module connector	Die-cast aluminium
Screws	Steel
Seals	NBR
Note on materials	RoHS-compliant
	Free of copper and PTFE

### Dimensions and ordering data

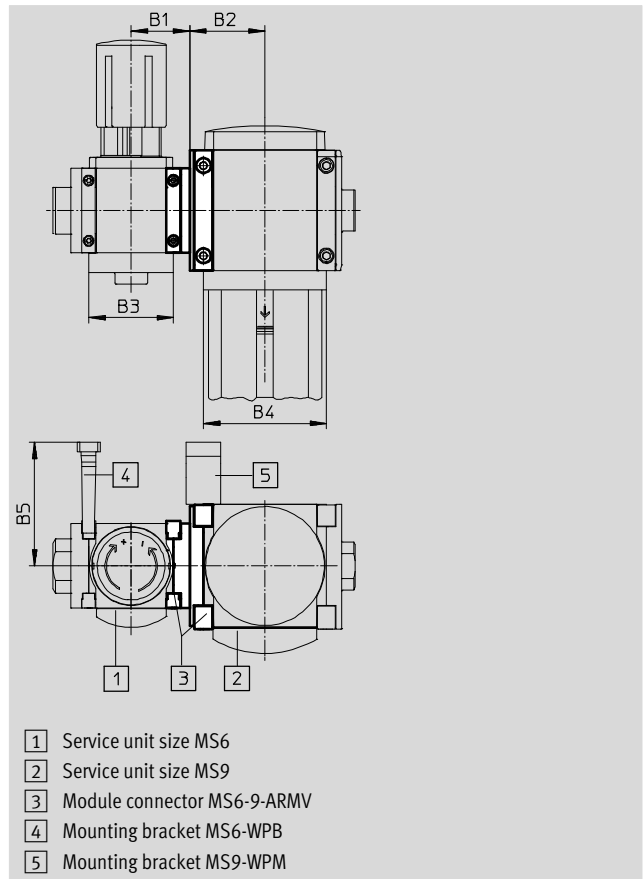
Size	B1	B2	B3	B4	B5	Weight [g]	Part No.	Type
MS6/9	45.5	52.5	62	90	90.5	220	<b>3426895</b>	<b>MS6-9-AMV</b>
For use in explosive areas in zones 1, 2, 21 and 22								
MS6/9	45.5	52.5	62	90	90.5	220	<b>3433264</b>	<b>MS6-9-AMV-EX</b> 

# Accessories, MS series

Module connector MS6/MS9

### Module connector MS6-9-ARMV

- For connecting MS6 and MS9 service units into one unit
- Rotation of service unit at right angles to the axis of connection possible



**Note**  
The larger mounting bracket must always be used on the module connector. The mounting bracket must be ordered separately.

Operating and environmental conditions		
Temperature of medium [°C]		-10 ... +60
Corrosion resistance class CRC <sup>1)</sup>		2

1) Corrosion resistance class CRC 2 to Festo standard FN 940070  
Moderate corrosion stress. Indoor applications in which condensation may occur. External visible parts with primarily decorative requirements for the surface and which are in direct contact with the ambient atmosphere typical for industrial applications.

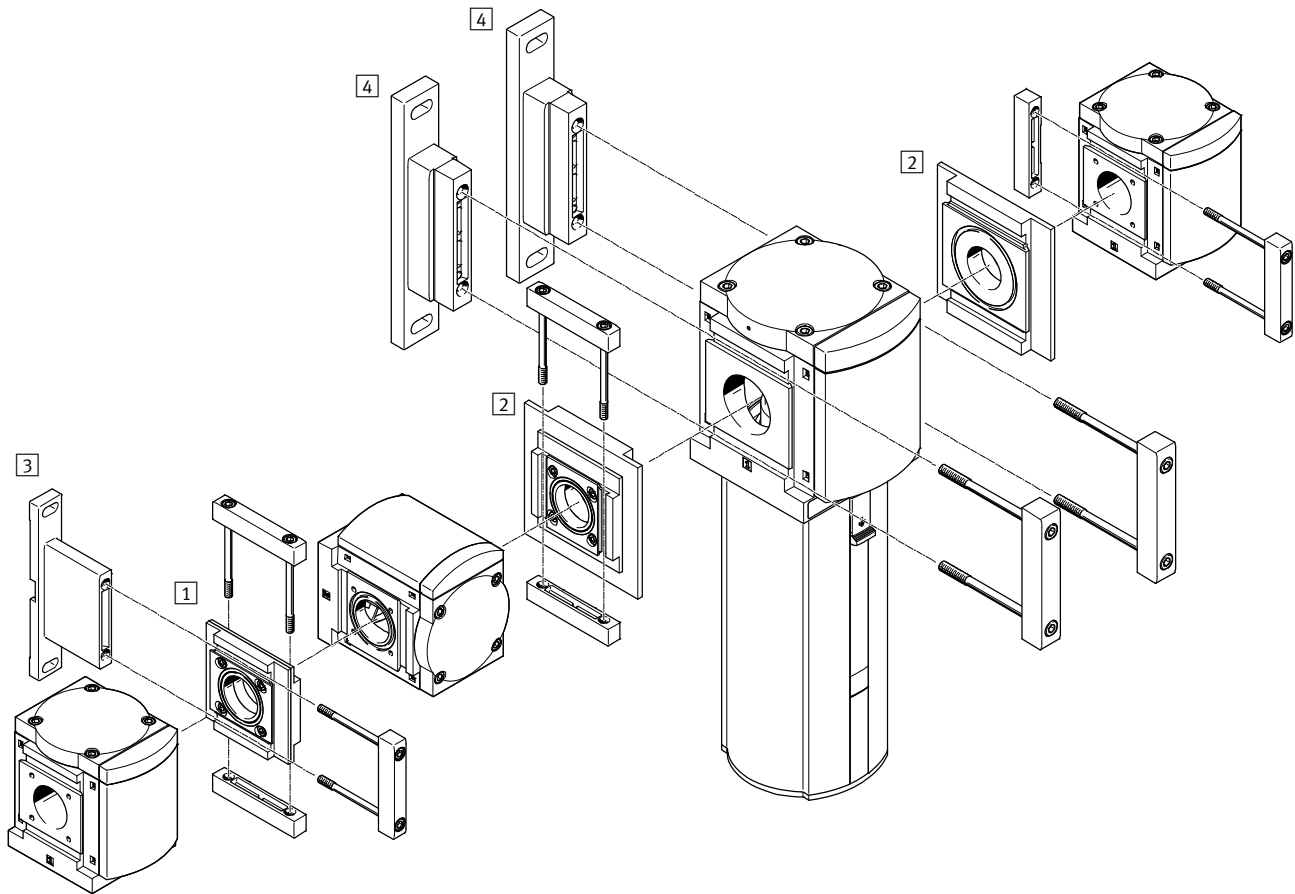
Materials	
Connecting plate	Die-cast aluminium
Module connector	Die-cast aluminium
Screws	Steel
Seals	NBR
Note on materials	RoHS-compliant
	Free of copper and PTFE

Dimensions and ordering data								
Size	B1	B2	B3	B4	B5	Weight [g]	Part No.	Type
MS6/9	43	55	62	90	90.5	350	552951	MS6-9-ARMV
For use in explosive areas in zones 1, 2, 21 and 22								
MS6/9	43	55	62	90	90.5	350	1758175	MS6-9-ARMV-EX

# Accessories, MS series

Mounting attachments MS9/MS12

FESTO



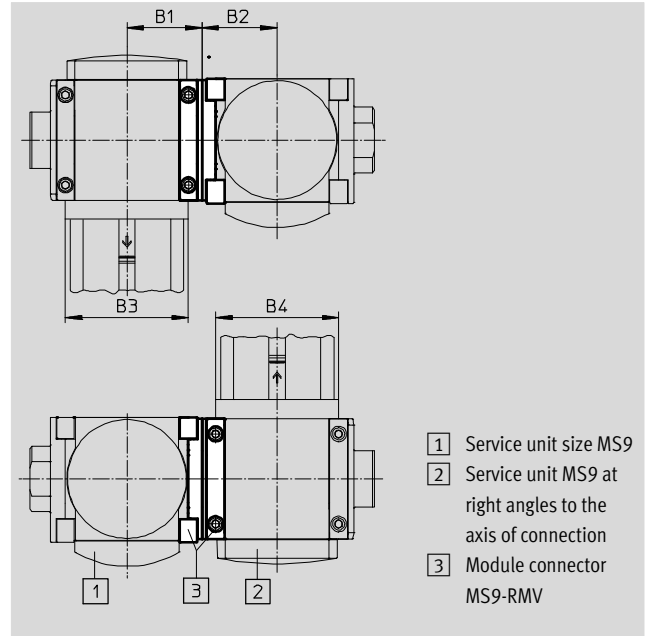
Mounting attachments		→ Page/Internet
1	Module connector MS9-RMV	31
2	Module connector MS9-12-ARMV	32
3	Mounting bracket MS9-WPB	19
4	Mounting bracket MS12-WP	22

# Accessories, MS series

Mounting attachments MS9/MS12

## Module connector MS9-RMV

- For connecting service units at right angles to the axis of connection



Operating and environmental conditions	
Temperature of medium [°C]	-10 ... +60
Corrosion resistance class CRC <sup>1)</sup>	2

1) Corrosion resistance class CRC 2 to Festo standard FN 940070  
 Moderate corrosion stress. Indoor applications in which condensation may occur. External visible parts with primarily decorative requirements for the surface and which are in direct contact with the ambient atmosphere typical for industrial applications.

Materials	
Connecting plate	Die-cast aluminium
Module connector	Die-cast aluminium
Screws	Steel
Seals	NBR
Note on materials	RoHS-compliant
	Free of copper and PTFE

Dimensions and ordering data							
Size	B1	B2	B3	B4	Weight [g]	Part No.	Type
MS9	55	55	90	90	920	552952	MS9-RMV

# Accessories, MS series


Mounting attachments MS9/MS12

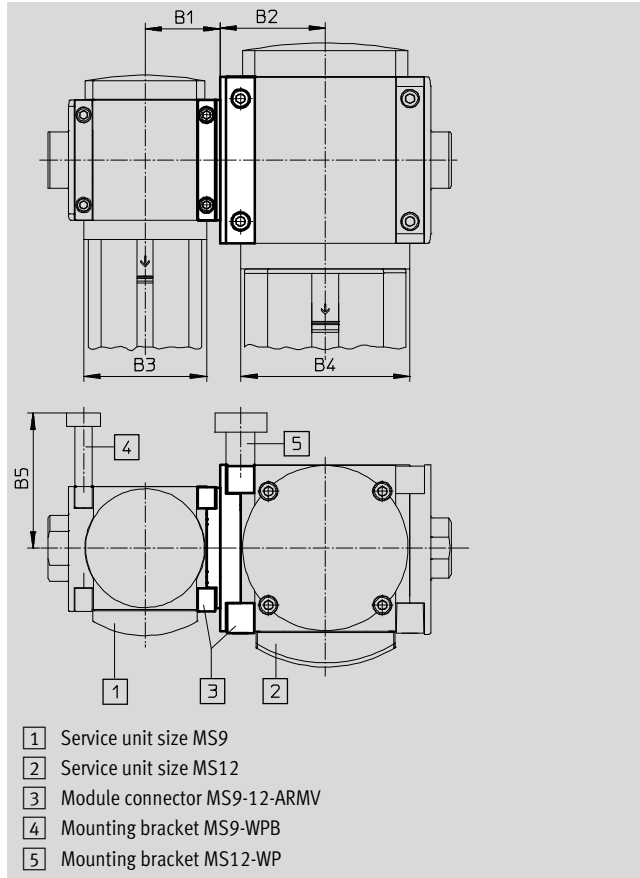


## Module connector MS9-12-ARMV

- For connecting MS9 and MS12 service units into one unit
- Rotation of service unit at right angles to the axis of connection possible



 Note  
The larger mounting bracket must always be used on the module connector. The mounting bracket must be ordered separately.



Operating and environmental conditions		
Temperature of medium [°C]		-10 ... +60
Corrosion resistance class CRC <sup>1)</sup>		2

1) Corrosion resistance class CRC 2 to Festo standard FN 940070  
Moderate corrosion stress. Indoor applications in which condensation may occur. External visible parts with primarily decorative requirements for the surface and which are in direct contact with the ambient atmosphere typical for industrial applications.

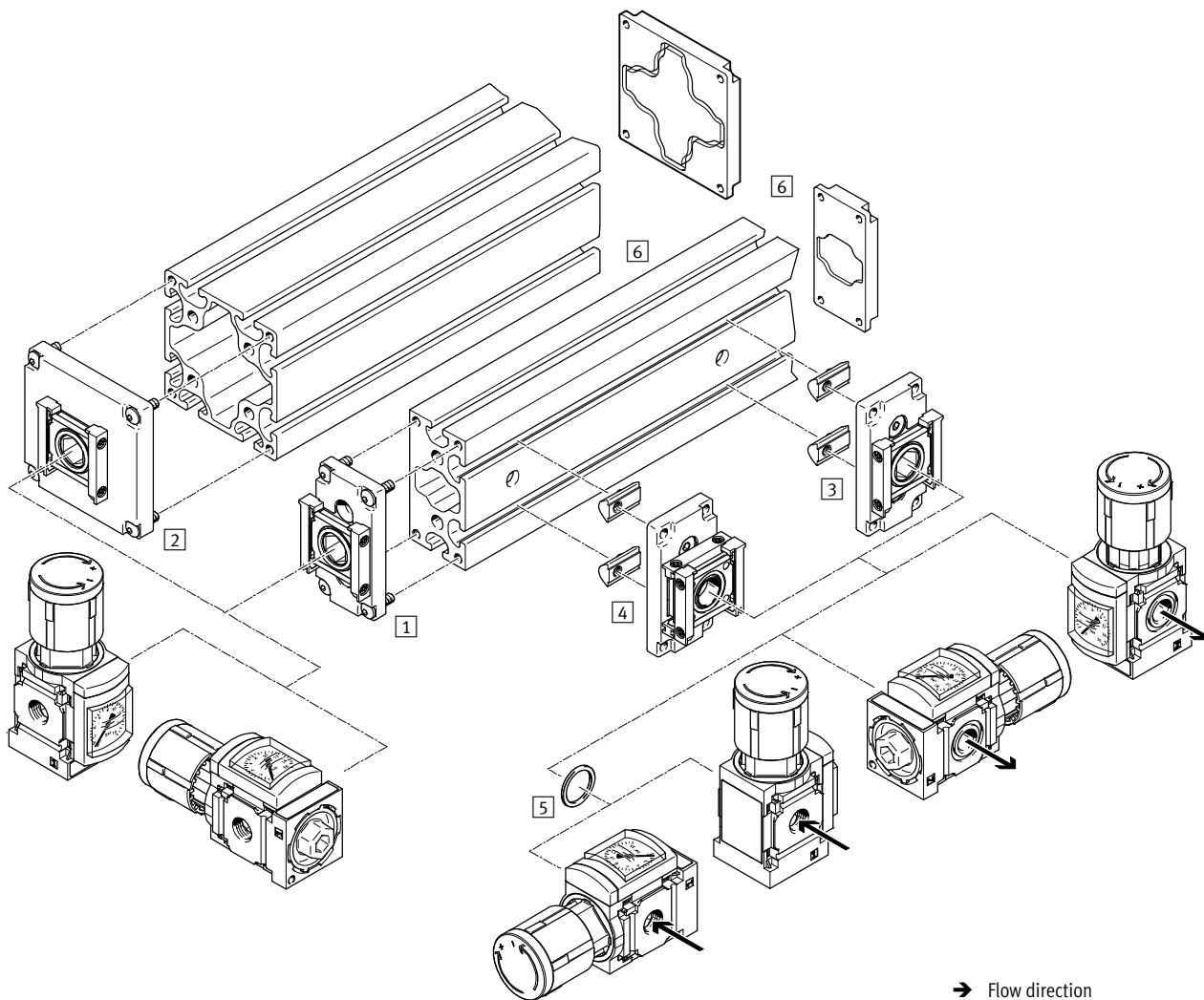
Materials	
Connecting plate	Die-cast aluminium
Module connector	Die-cast aluminium
Screws	Steel
Seals	NBR
Note on materials	RoHS-compliant Free of copper and PTFE

Dimensions and ordering data								
Size	B1	B2	B3	B4	B5	Weight [g]	Part No.	Type
MS9/12	55	77	90	124	99	990	552953	MS9-12-ARMV



# Accessories, MS series

Mounting attachments MS4/MS6



Mounting attachments		→ Page/Internet
1	Power supply module MS4/6-E-IPM-40-80	34
2	Power supply module MS4/6-E-IPM-80-80	35
3	Branching module MS4/6-A-IPM-80	36
4	Branching module MS4/6-A-RMV-IPM-80	37
5	Sealing ring MS4/6-NNR	38
6	Profile 40x80/80x80, cover plate, supply plate, drilling jig	On request

- - Note  
Further mounting attachments are required for mounting a service unit combination → 8

## Accessories, MS series

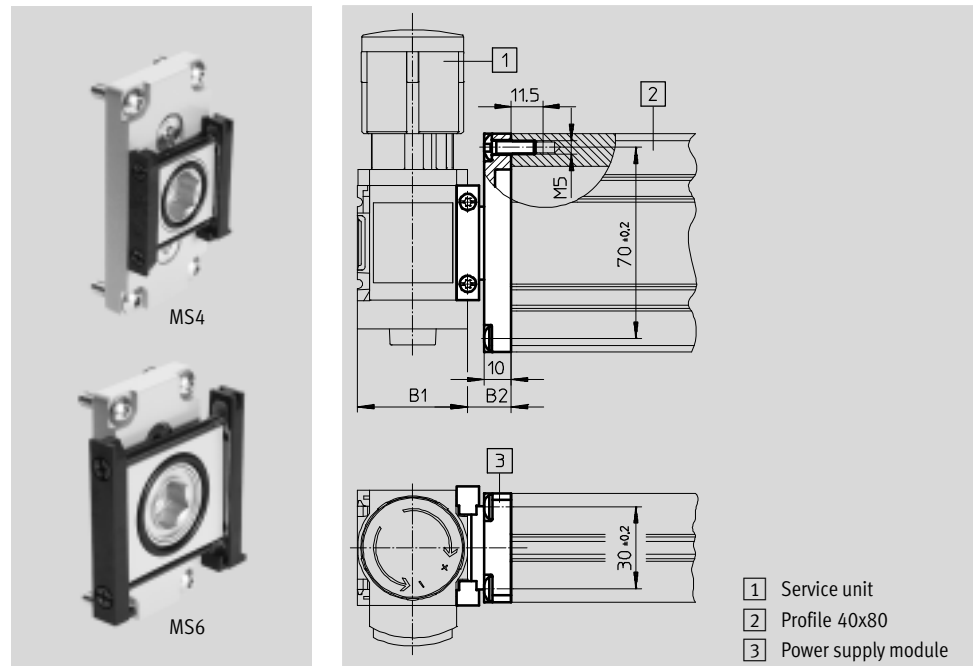
Mounting attachments MS4/MS6

FESTO

### Power supply module

#### MS4/6-E-IPM-40-80

- For mounting a service unit to the front of a profile of size 40x80
- Module connector can be repositioned by 90° for horizontal mounting of a service unit



Operating and environmental conditions	
Temperature of medium [°C]	-10 ... +60
Corrosion resistance class CRC <sup>1)</sup>	2

1) Corrosion resistance class CRC 2 to Festo standard FN 940070

Moderate corrosion stress. Indoor applications in which condensation may occur. External visible parts with primarily decorative requirements for the surface and which are in direct contact with the ambient atmosphere typical for industrial applications.

Materials	
Connecting plate	Die-cast aluminium
Module connector	Die-cast aluminium
Hollow bolt	Die-cast aluminium
Screws	Steel
Seals	NBR
Note on materials	RoHS-compliant

Dimensions and ordering data					
Size	B1	B2	Weight [g]	Part No.	Type
MS4	40.2	16	109	543494	MS4-E-IPM-40-80
MS6	62	16	141	543496	MS6-E-IPM-40-80

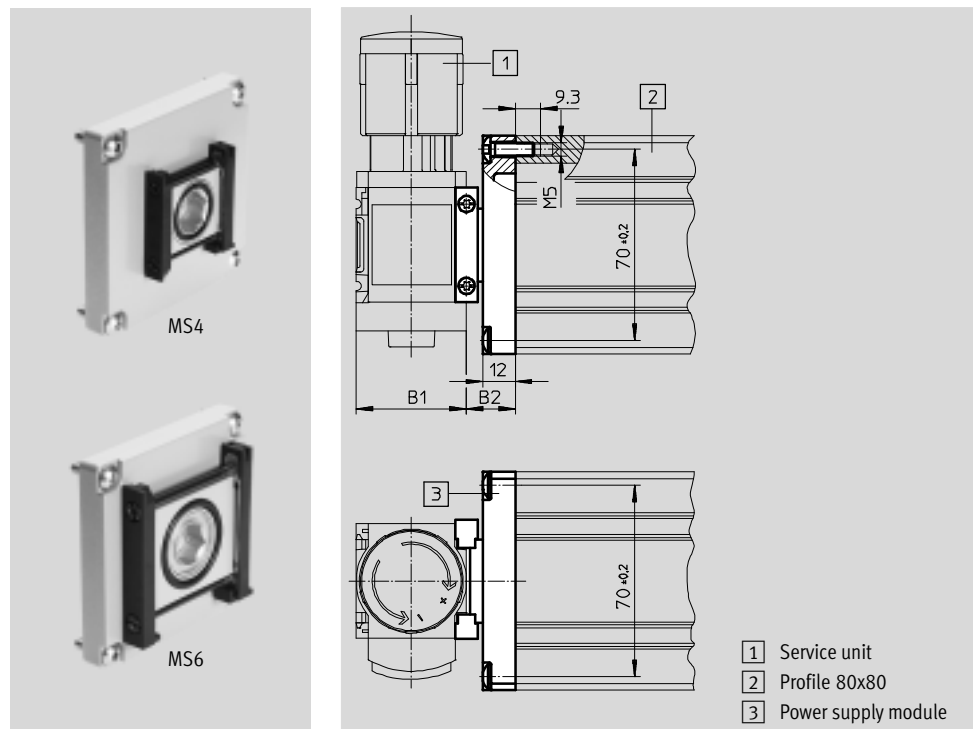
## Accessories, MS series

Mounting attachments MS4/MS6

### Power supply module

#### MS4/6-E-IPM-80-80

- For mounting a service unit to the front of a profile of size 80x80
- Module connector can be repositioned by 90° for horizontal mounting of a service unit



### Operating and environmental conditions

Temperature of medium [°C]	-10 ... +60
Corrosion resistance class CRC <sup>1)</sup>	2

1) Corrosion resistance class CRC 2 to Festo standard FN 940070

Moderate corrosion stress. Indoor applications in which condensation may occur. External visible parts with primarily decorative requirements for the surface and which are in direct contact with the ambient atmosphere typical for industrial applications.

### Materials

Connecting plate	Die-cast aluminium
Module connector	Die-cast aluminium
Hollow bolt	Die-cast aluminium
Screws	Steel
Seals	NBR
Note on materials	RoHS-compliant

### Dimensions and ordering data

Size	B1	B2	Weight [g]	Part No.	Type
MS4	40.2	18	186	543495	MS4-E-IPM-80-80
MS6	62	18	218	543497	MS6-E-IPM-80-80

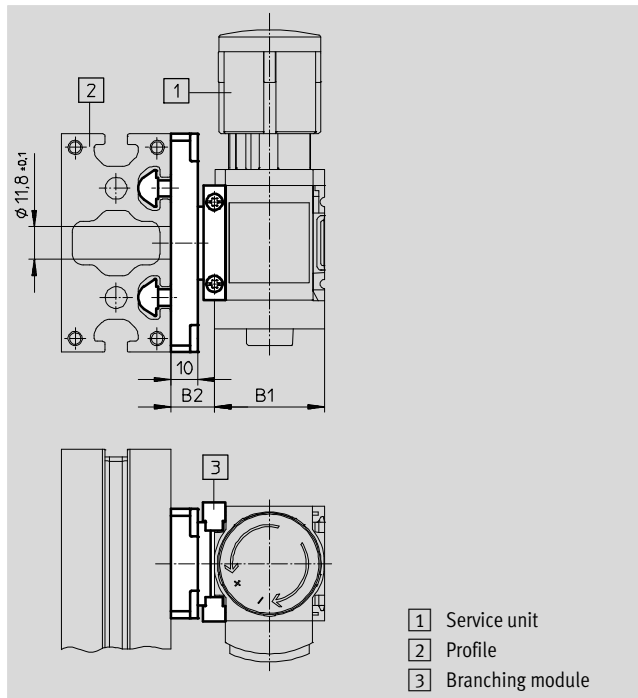
## Accessories, MS series

Mounting attachments MS4/MS6

FESTO

### Branching module MS4/6-A-IPM-80

- For mounting a service unit on the long side of a profile
- Module connector can be repositioned by 90° for horizontal mounting of a service unit



- 1 Service unit
- 2 Profile
- 3 Branching module

Operating and environmental conditions	
Temperature of medium [°C]	-10 ... +60
Corrosion resistance class CRC <sup>1)</sup>	2

1) Corrosion resistance class CRC 2 to Festo standard FN 940070

Moderate corrosion stress. Indoor applications in which condensation may occur. External visible parts with primarily decorative requirements for the surface and which are in direct contact with the ambient atmosphere typical for industrial applications.

Materials	
Connecting plate	Die-cast aluminium
Module connector	Die-cast aluminium
Hollow bolt	Die-cast aluminium
Screws	Steel
Seals	NBR
Note on materials	RoHS-compliant

Dimensions and ordering data					
Size	B1	B2	Weight [g]	Part No.	Type
MS4	40.2	16	124	543498	MS4-A-IPM-80
MS6	62	16	156	543499	MS6-A-IPM-80

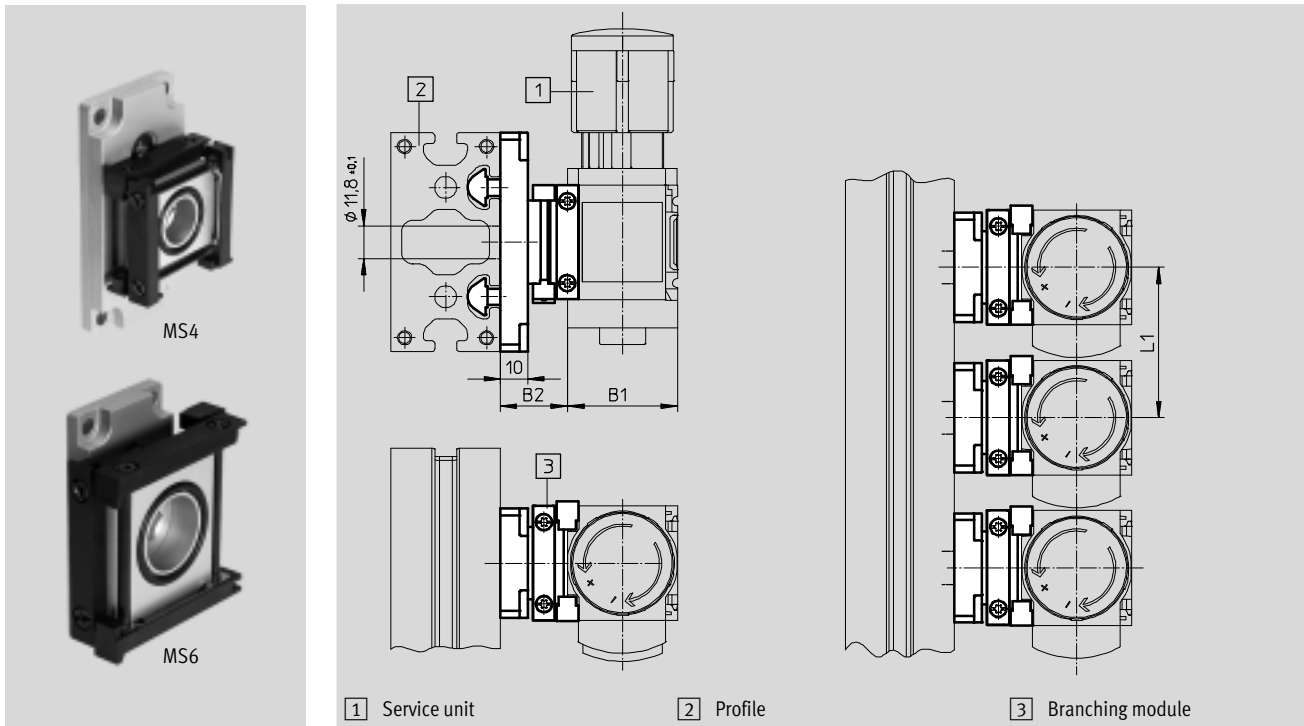
# Accessories, MS series

Mounting attachments MS4/MS6

## Branching module

### MS4/6-A-RMV-IPM-80

- For mounting a service unit on the long side of a profile
- Suitable for manifold mounting (the fittings on the module connector can be accessed from above for fast replacement of an individual component)
- Module connector can be repositioned by 90° for horizontal mounting of a service unit



Operating and environmental conditions		
Temperature of medium [°C]		-10 ... +60
Corrosion resistance class CRC <sup>1)</sup>		2

1) Corrosion resistance class CRC 2 to Festo standard FN 940070  
Moderate corrosion stress. Indoor applications in which condensation may occur. External visible parts with primarily decorative requirements for the surface and which are in direct contact with the ambient atmosphere typical for industrial applications.

Materials	
Connecting plate	Die-cast aluminium
Module connector	Die-cast aluminium
Hollow bolt	Die-cast aluminium
Screws	Steel
Seals	NBR
Note on materials	RoHS-compliant

Dimensions and ordering data						
Size	B1	B2	L1	Weight [g]	Part No.	Type
MS4	40.2	24.5	55	150	543500	MS4-A-RMV-IPM-80
MS6	62	27	77	236	543501	MS6-A-RMV-IPM-80

# Accessories, MS series

Mounting attachments MS4/MS6

## Sealing ring MS4/6-NNR

- For sealing a branching module MS-A-IPM when used as a power supply module



Operating and environmental conditions	
Temperature of medium [°C]	-10 ... +60
Corrosion resistance class CRC <sup>1)</sup>	2

1) Corrosion resistance class CRC 2 to Festo standard FN 940070  
 Moderate corrosion stress. Indoor applications in which condensation may occur. External visible parts with primarily decorative requirements for the surface and which are in direct contact with the ambient atmosphere typical for industrial applications.

Materials	
Sealing ring	NBR
Note on materials	RoHS-compliant

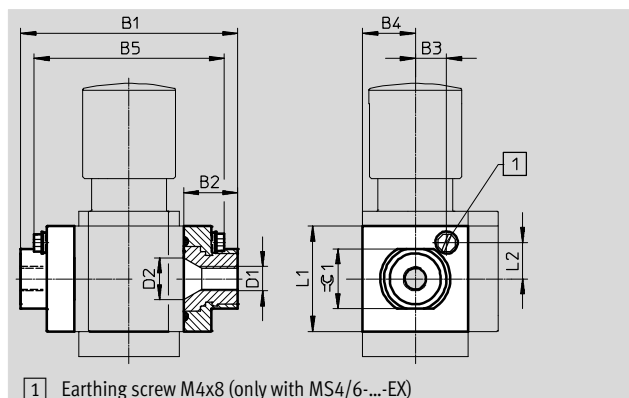
Dimensions and ordering data		
Size	Part No.	Type
MS4	543492	MS4-NNR
MS6	543493	MS6-NNR

# Accessories, MS series

Connecting plates MS4/MS6

**Connecting plate-SET MS4/6-AG...**  
(order code: AG...)

- Adapter for pneumatic connection
- MS6-AGE for implementing threaded connection G $\frac{3}{4}$



Operating and environmental conditions		
Temperature of medium [°C]		-10 ... +60
Corrosion resistance class CRC <sup>1)</sup>		2

1) Corrosion resistance class CRC 2 to Festo standard FN 940070  
Moderate corrosion stress. Indoor applications in which condensation may occur. External visible parts with primarily decorative requirements for the surface and which are in direct contact with the ambient atmosphere typical for industrial applications.

Materials	
Connecting plate	Die-cast aluminium
Seals	NBR
Note on materials	RoHS-compliant Free of copper and PTFE

## ★ Core product range

Dimensions and ordering data													
Size	B1	B2	B3	B4	B5	D1	D2	L1	L2	≈± 1	Weight [g]	Part No.	Type
MS4	83.5	21.5	-	21	-	G $\frac{1}{8}$	16.8	42	-		24	128	526068 MS4-AGA
						G $\frac{1}{4}$					21	128	★ 526069 MS4-AGB
						G $\frac{3}{8}$					24	128	★ 526070 MS4-AGC
MS6	115	26.5	-	31	-	G $\frac{1}{4}$	24	62	-		34	300	526080 MS6-AGB
						G $\frac{3}{8}$					34	300	526081 MS6-AGC
						G $\frac{1}{2}$					26	300	★ 526082 MS6-AGD
						G $\frac{3}{4}$					34	300	★ 526083 MS6-AGE
For use in explosive areas in zones 2 and 22													
MS4	83.5	21.5	12.5	21	72.5	G $\frac{1}{8}$	16.8	42	14.5		24	128	541549 MS4-AGA-EX
						G $\frac{1}{4}$					21	128	541550 MS4-AGB-EX
						G $\frac{3}{8}$					24	128	541551 MS4-AGC-EX
MS6	115	26.5	20.5	31	98.3	G $\frac{1}{4}$	24	62	15.5		34	300	541538 MS6-AGB-EX
						G $\frac{3}{8}$					34	300	541539 MS6-AGC-EX
						G $\frac{1}{2}$					26	300	541540 MS6-AGD-EX
						G $\frac{3}{4}$					34	300	541541 MS6-AGE-EX

• Note: This product conforms to ISO 1179-1 and to ISO 228-1

Festo core product range

- ★ Generally ready for shipping ex works in 24 hours
- ☆ Generally ready for shipping ex works in 5 days

# Accessories, MS series

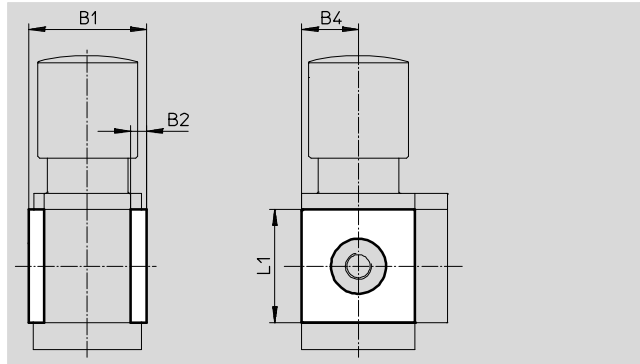
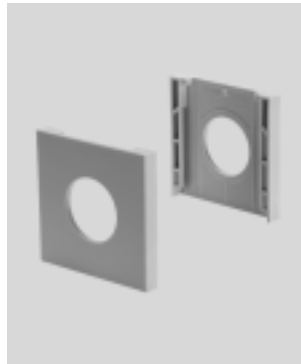
Connecting plates MS4/MS6



## Cover plate MS4/6-END

- Can be used to cover the body sides of the first and last module if connecting plates are not used

Material:  
PA reinforced  
Free of copper and PTFE



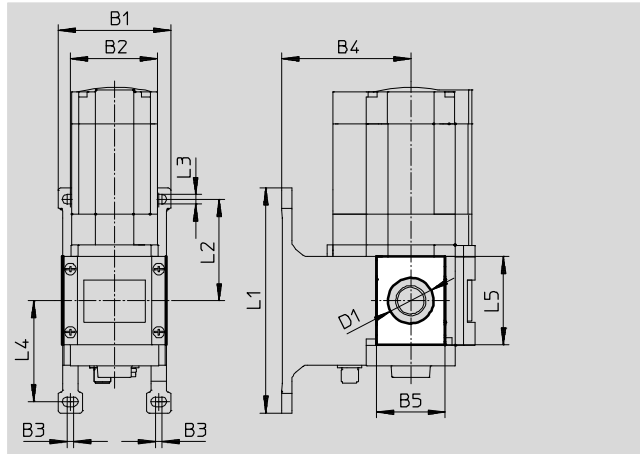
Dimensions and ordering data						
Size	B1	B2	B4	L1	Part No.	Type
MS4	43.6	6	21	42	538779	MS4-END
MS6	67	8	31	62	538780	MS6-END

## Mounting plate MS4/6-AEND

(order code: WBE; scope of delivery includes wall mounting plate MS6-WPB)

- In combination with mounting bracket MS-WP or MS-WPB for individual wall mounting via direct thread

Material:  
PA reinforced  
RoHS-compliant  
Free of copper and PTFE



Dimensions and ordering data																
Size	B1	B2	B3	B4		B5	D1 ∅	L1	L2	L3	L4	L5	CRC <sup>1)</sup>	Weight [g]	Part No.	Type
				WP	WPB											
MS4	55.2	40.2	4	44	66	30.4	20.3	106	46.5	5.6	46.7	42	2	4	542966	MS4-AEND
MS6	79	62	4.5	54	90.5	48.4	32	158	71	6.6	71	62	2	17	535408	MS6-AEND

1) Corrosion resistance class CRC 2 to Festo standard FN 940070  
Moderate corrosion stress. Indoor applications in which condensation may occur. External visible parts with primarily decorative requirements for the surface and which are in direct contact with the ambient atmosphere typical for industrial applications.



# Accessories, MS series

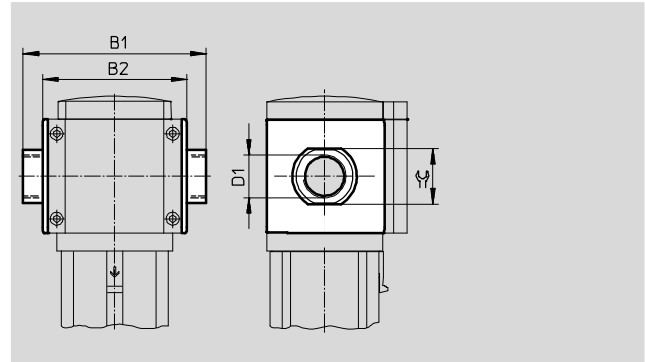
Connecting plates MS9

## Connecting plate-SET

MS9-AG.../MS9-AQ...

(order code: AG.../AQ...)

- Adapter for pneumatic connection



Operating and environmental conditions		
Temperature of medium [°C]		-10 ... +60
Corrosion resistance class CRC <sup>1)</sup>		2

1) Corrosion resistance class CRC 2 to Festo standard FN 940070

Moderate corrosion stress. Indoor applications in which condensation may occur. External visible parts with primarily decorative requirements for the surface and which are in direct contact with the ambient atmosphere typical for industrial applications.

Materials	
Connecting plate	Die-cast aluminium
Hollow bolt	Die-cast aluminium
Seals	NBR
Note on materials	RoHS-compliant
	Free of copper and PTFE

Dimensions and ordering data							
Size	B1	B2	D1	⌀	Weight [g]	Part No.	Type
G thread							
MS9	132	112	G1/2	30	300	552954	MS9-AGD
	132	112	G3/4	36	300	552955	MS9-AGE
	142	112	G1	41	300	552956	MS9-AGF
	162	112	G1 1/4	50	400	552957	MS9-AGG
	176	112	G1 1/2	55	400	552958	MS9-AGH
NPT thread							
MS9	132	112	NPT1/2-14	30	300	552959	MS9-AQR
	132	112	NPT3/4-14	36	300	552960	MS9-AQS
	142	112	NPT1-11 1/2	41	300	552961	MS9-AQT
	162	112	NPT1 1/4-11 1/2	50	400	552962	MS9-AQU
	176	112	NPT1 1/2-11 1/2	55	400	552963	MS9-AQV

-||- Note: This product conforms to ISO 1179-1 and to ISO 228-1

# Accessories, MS series

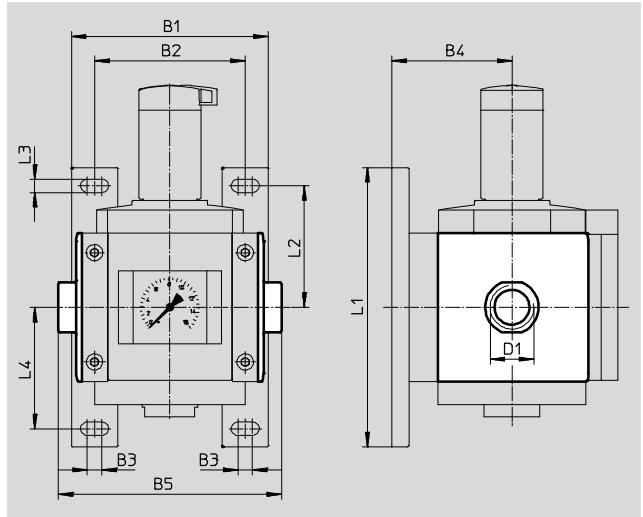
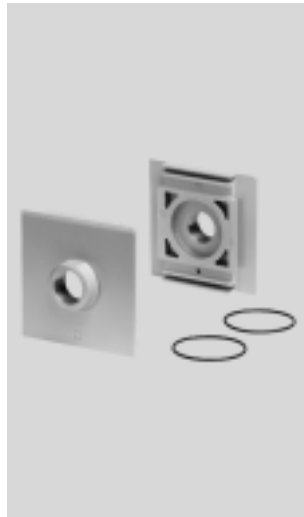


Connecting plates MS12

## Connecting plate-SET MS12-AG...

(order code: AG...)

- Adapter for pneumatic connection



Operating and environmental conditions	
Operating medium	Compressed air in accordance with ISO 8573-1:2010 [7:4:4]
Temperature of medium [°C]	-10 ... +60
Storage temperature [°C]	-10 ... +60
Corrosion resistance class CRC <sup>1)</sup>	2

1) Corrosion resistance class CRC 2 to Festo standard FN 940070  
 Moderate corrosion stress. Indoor applications in which condensation may occur. External visible parts with primarily decorative requirements for the surface and which are in direct contact with the ambient atmosphere typical for industrial applications.

Materials	
Connecting plate	Die-cast aluminium
Seals	NBR
Note on materials	RoHS-compliant
	Free of copper and PTFE

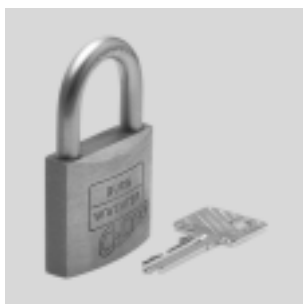
Dimensions and ordering data													
Size	B1	B2	B3	B4	B5	D1	L1	L2	L3	L4	Weight [g]	Part No.	Type
MS12	162	124	12	99	184	G1	230	100	11	100	1,300	537135	MS12-AGF
					184	G1¼						537136	MS12-AGG
					184	G1½						537137	MS12-AGH
					196	G2						537138	MS12-AGI

• Note: This product conforms to ISO 1179-1 and to ISO 228-1

## Accessories, MS series

Security components MS4/MS6/MS9/MS12

### Padlock LRVS-D



#### Operating and environmental conditions

Ambient temperature	[°C]	-20 ... +60
Temperature of medium	[°C]	-20 ... +60
Corrosion resistance class CRC <sup>1)</sup>		2

1) Corrosion resistance class CRC 2 to Festo standard FN 940070

Moderate corrosion stress. Indoor applications in which condensation may occur. External visible parts with primarily decorative requirements for the surface and which are in direct contact with the ambient atmosphere typical for industrial applications.

#### Materials

Housing	Brass
Note on materials	RoHS-compliant

#### Ordering data

Size	Weight [g]	Part No.	Type
MS4/MS6/ MS9/MS12	120	193786	LRVS-D