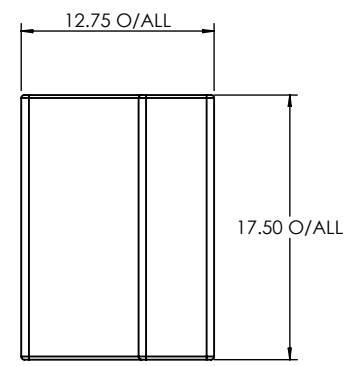
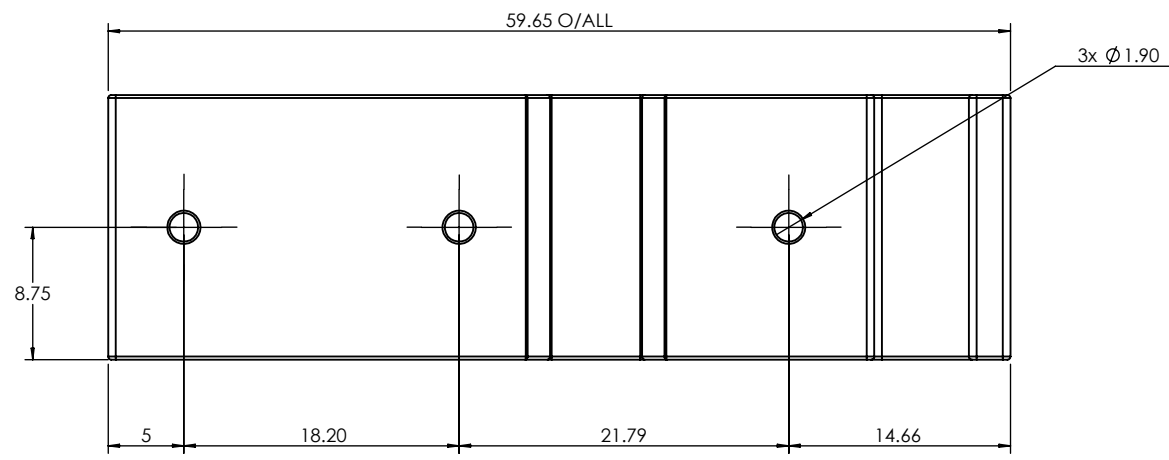
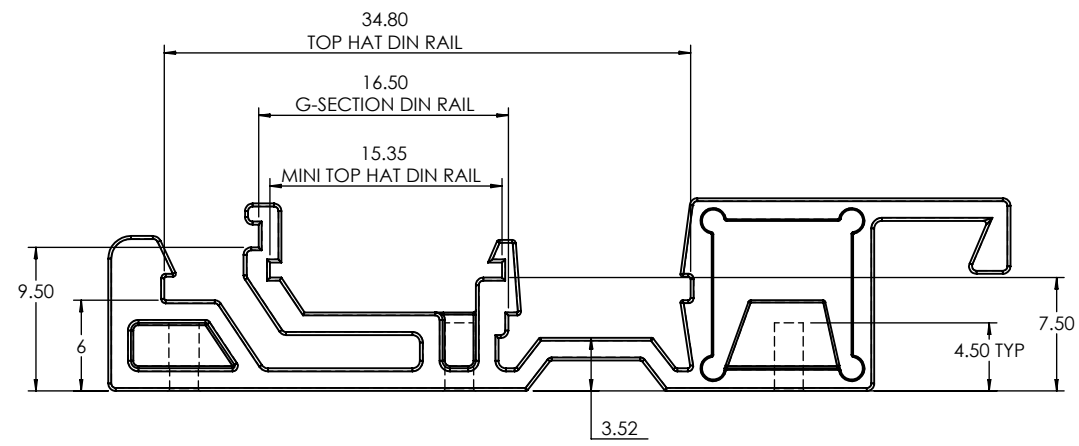
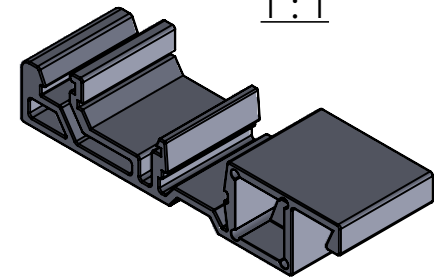


ISO VIEW
1:1



 JAMES CARTER RD, MILDENHALL, SUFFOLK. IP28 7DE TEL: 01638 716101 FAX: 01638 716554 EMAIL: Sales@CamdenBoss.com WEB: www.CamdenBoss.com				UNLESS OTHERWISE SPECIFIED: DIMENSIONS ARE IN MILLIMETERS		DO NOT SCALE DRAWING		REVISION. ○	
				GENERAL TOLERANCES +/- 0.2		TITLE: DIMENSION DRAWING FOR CDR-BRACKET			
				FINISH. LIGHT SPARK		DWG NO. CDR-BRACKET A4			
				MATERIAL. PA UL 94 - V0 RAL: 9005		SCALE: 2:1			
DRAWN IAN PAGANO I.P. 05/09/14				PROJECTION.		SHEET 1 OF 1			
CHK'D MATHEW WALLACE M.J.W. 05/01/14									