

- 1
- 2
- 3
- 4
- 5
- 6
- 7
- 8
- 9
- 10
- 11
- 12
- 13
- 14
- 15
- 16
- 17
- 18

**MATERIAL**

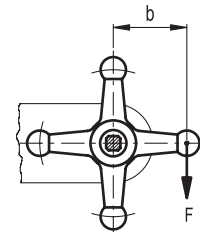
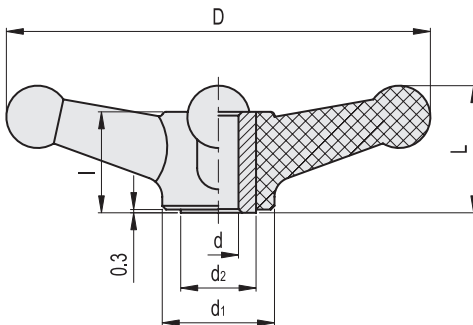
High-strength, reinforced phenolic based (PF) Duroplast, black colour, glossy finish.

**STANDARD EXECUTION**

Black-oxide steel hub, uncovered front end with pre-drilled pass-through hole.

**ACCESSORIES ON REQUEST**

Axial retaining washer GN 184 (see page 897).



$$C [Nm] = F [N] \cdot b [m]$$

Code	Description	D	dH9	L	d1	d2	l	C# [Nm]	
65001	VB.198/170	170	12	50	45	26	40	105	327