

Category 5e Shielded Keystone Panel Mount Coupler



PoE Compliant

Category 5e Shielded Keystone Panel Mount Coupler (FACK2S)

Features

- Designed to fit industry standard keystone outlets, wall plates and patch panels
- High performance data throughput, meets Category 5e data transfer rates
- Unshielded versions available
- Plug insertion life ≥ 750 times
- Operating temperature: $-40^{\circ}\text{C} \sim +66^{\circ}\text{C}$
- Available as part of our innovative Panel Mount and D UNIVERSAL ranges

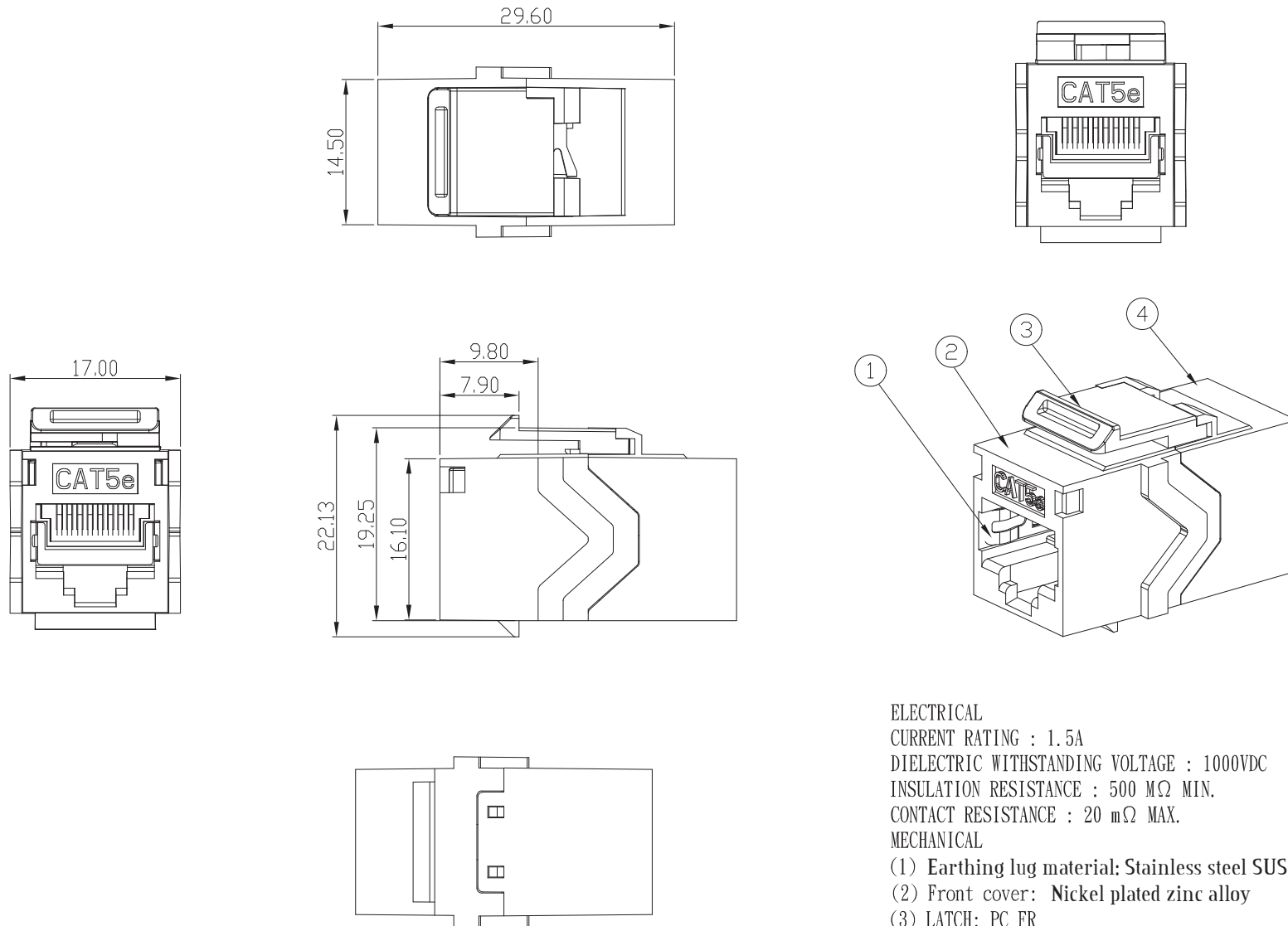
Packaging:

- Standard product is supplied in individual polythene bags then in bags of 20. To save time for panel assemblers, FACK2S-24 is available as a “bulk-pack” of 24 pieces without individual bags.

Specifications

- **Materials**
Housing: Nickel plated zinc alloy
Contacts: Phosphor bronze, $50\mu\text{m}/1.27\mu\text{m}$ gold plated over contact area
Earthing lug material: Stainless steel SUS304
- **Colour:** Silver
- **Dimensions:**
FACK2S: 29.7 x 17 x 22.13 mm (LxWxH) **FACK2S-24:** 280 x 70 x 35 mm (LxWxH)
- **Weight:**
FACK2S: 17g **FACK2S-24:** 420g approx.

ROHS Compliant

Code: FACK2S

ELECTRICAL
CURRENT RATING : 1.5A
DIELECTRIC WITHSTANDING VOLTAGE : 1000VDC
INSULATION RESISTANCE : 500 M Ω MIN.
CONTACT RESISTANCE : 20 m Ω MAX.

MECHANICAL
(1) Earthing lug material: Stainless steel SUS304
(2) Front cover: Nickel plated zinc alloy
(3) LATCH: PC FR
(4) Bottom cover: Nickel plated zinc alloy