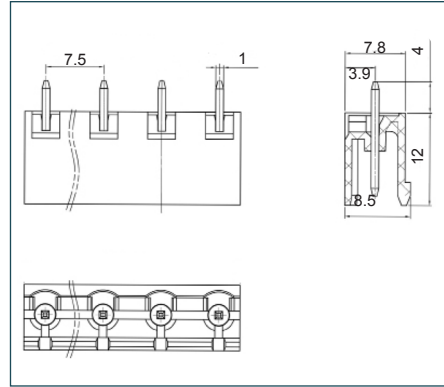
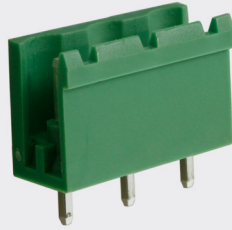


PCB mounting male vertical connector (open ended)

PART NO.	POLES	LENGTH
CTBP9500/2AO	2	13mm
CTBP9500/3AO	3	20.5mm
CTBP9500/4AO	4	28mm
CTBP9500/5AO	5	35.5mm
CTBP9500/6AO	6	43mm
CTBP9500/7AO	7	50.5mm
CTBP9500/8AO	8	58mm
CTBP9500/9AO	9	65.5mm
CTBP9500/10AO	10	73mm
CTBP9500/11AO	11	80.5mm
CTBP9500/12AO	12	88mm

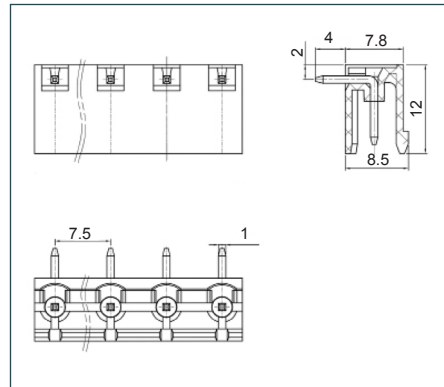
CTBP9500 AO



PCB mounting male horizontal connector (open ended)

PART NO.	POLES	LENGTH
CTBP9550/2AO	2	13mm
CTBP9550/3AO	3	20.5mm
CTBP9550/4AO	4	28mm
CTBP9550/5AO	5	35.5mm
CTBP9550/6AO	6	43mm
CTBP9550/7AO	7	50.5mm
CTBP9550/8AO	8	58mm
CTBP9550/9AO	9	65.5mm
CTBP9550/10AO	10	73mm
CTBP9550/11AO	11	80.5mm
CTBP9550/12AO	12	88mm

CTBP9550 AO



081

TERMINAL STRIPS

095

WIRE TO BOARD
CONNECTORS

100

CIRCULAR
CONNECTORS

151

IP68 CONNECTORS

158

INTERFACE
MODULES AND
RELAY BASES