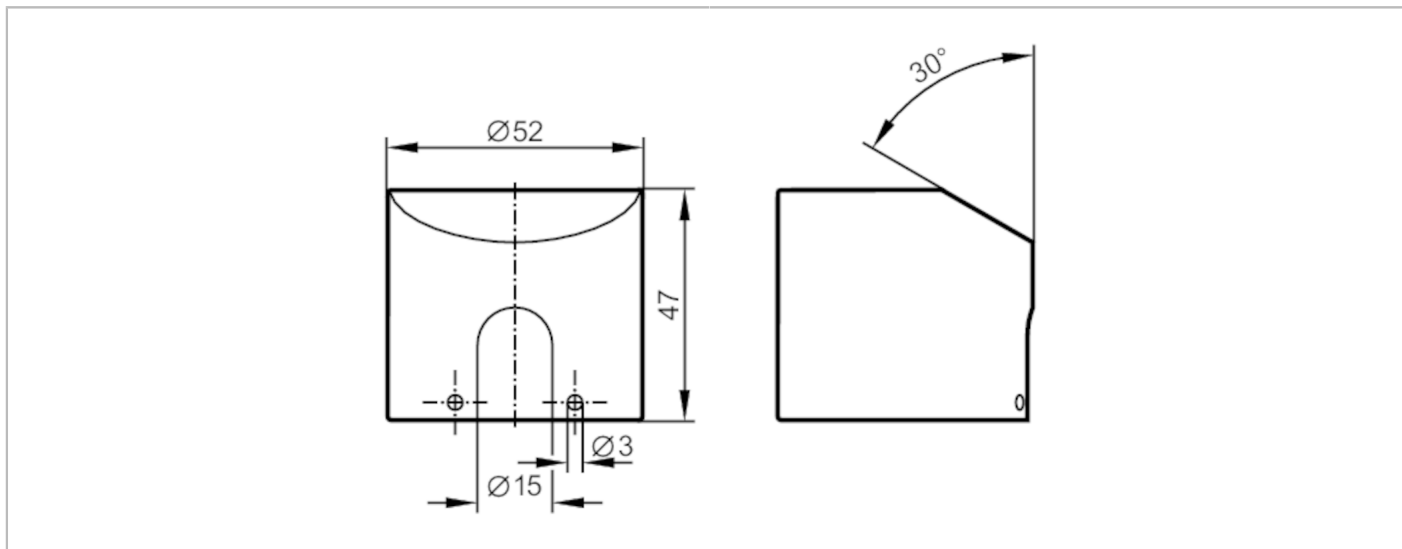


E43910



Protective cover for level sensors

PROTECTIVE COVER LK



Application	
Design	for sensors LL, LK, LR, LT
Mechanical data	
Weight [g]	11.8
Materials	PP
Remarks	
Pack quantity	1 pcs.