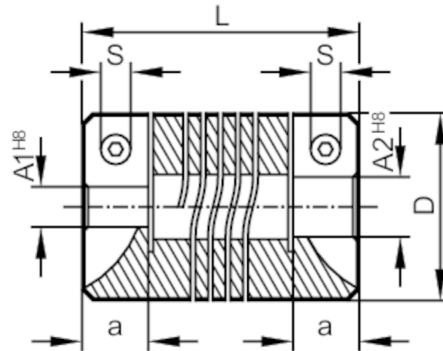


# E60206



## Flexible coupling for encoders

COUPLING 25-6-63-32-KV



### Mechanical data

|                                |         |                           |
|--------------------------------|---------|---------------------------|
| Weight                         | [g]     | 36.7                      |
| Materials                      |         | aluminium                 |
| External diameter D            | [mm]    | 25                        |
| Inside diameter A1             | [mm]    | 6                         |
| Inside diameter A2             | [mm]    | 6,35 mm / 1/4" / 1/4 inch |
| Length L                       | [mm]    | 32                        |
| Depth of the clamping hub      | [mm]    | 8                         |
| Clamp screw                    | [mm]    | M3 x 10 ISO4762 (2 x)     |
| Max. revolution, mechanical    | [U/min] | 6000                      |
| Max. axial shaft misalignment  | [mm]    | ± 0,5                     |
| Max. radial shaft misalignment | [mm]    | ± 0,35                    |
| Max. angular displacement      | [°]     | ± 4,0                     |

### Remarks

|               |   |
|---------------|---|
| Remarks       | The data indicated apply to couplings with the above hub borings at an ambient temperature of 23 °C.<br>The values of radial, angular and axial displacement are maximum values which must not reach their maximum simultaneously while in operation. |
| Pack quantity | 1 pcs.  |