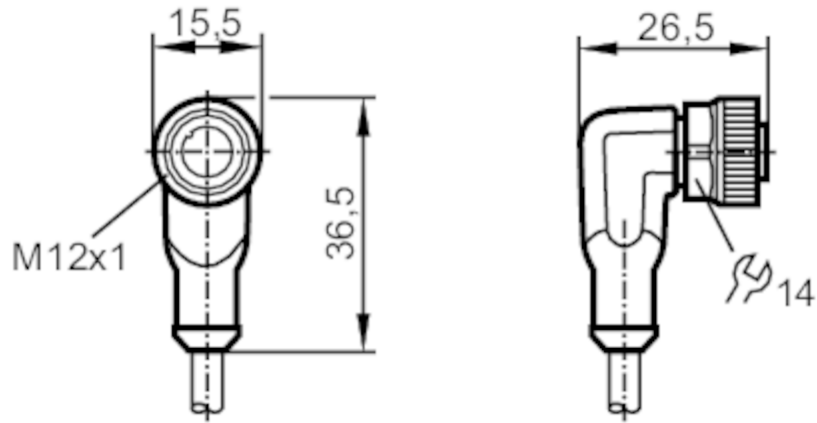


EVC492



Connecting cable with socket

ADOAH050MSA0005H05



Application		
Special feature	Free from silicone; Halogen-free; Gold-plated contacts; Drag chain suitability	
Application	CAN bus	
Free from silicone	yes	
Electrical data		
Operating voltage [V]	32 DC; (wires 4+5: 5 V)	
Protection class	II	
Max. current load total [A]	4; (wires 4+5: 0,05)	
Operating conditions		
Ambient temperature [°C]	-25...90	
Ambient temperature (moving) [°C]	-25...90	
Protection	IP 65; IP 67; IP 68; IP 69K	
Mechanical data		
Weight [g]	179.6	
Dimensions [mm]	26.5 x 15.5 x 36.5	
Materials	housing: TPU black; Sealing: FKM	
Material nut	brass, nickel-plated	
Drag chain suitability	yes	
Drag chain suitability	bending radius for flexible use	min. 10 x cable diameter
	travel speed	max. 3.3 m/s for a horizontal travel length of 5 m and max. acceleration of 5 m/s ²
	bending cycles	> 5 Mio.
	torsional strain	± 180 °/m

EVC492



Connecting cable with socket

ADOAH050MSA0005H05

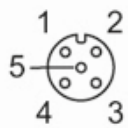
Remarks	
Remarks	The CAN bus terminating resistor (120 Ω) is integrated in the M12 connector.
Notes	Please see the technical note under "Downloads"
Pack quantity	1 pcs.

Electrical connection

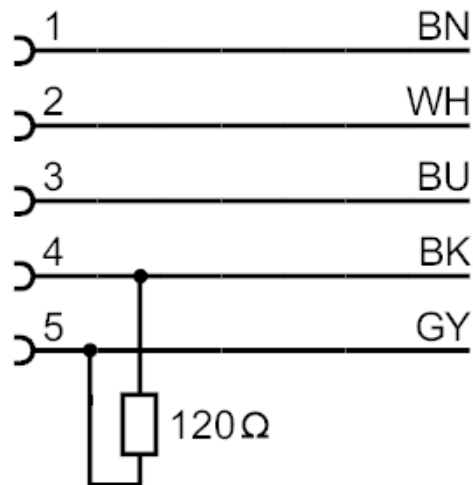
Cable: 5 m, PUR, Halogen-free, black, Ø 4.9 mm; 5 x 0.34 mm² (42 x Ø 0.1 mm)

Electrical connection - socket

Connector: 1 x M12, angled; Locking: brass, nickel-plated; Contacts: gold-plated; Tightening torque: 0.6...1.5 Nm



Connection



Core colours :

- BK = black
- BN = brown
- BU = blue
- GY = grey
- WH = white