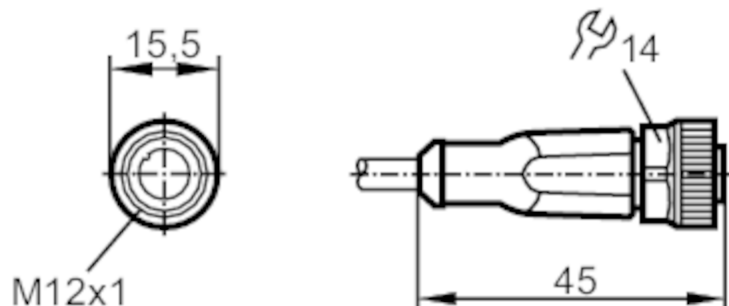


# EVW001



## Connecting cable with socket

ADOGH040SCS0002T04



### Application

Special feature	Free from silicone; Halogen-free; Gold-plated contacts; Drag chain suitability
Application	welding applications
Free from silicone	yes

### Electrical data

Operating voltage	[V]	< 250 AC / < 300 DC
Protection class		II
Max. current load total	[A]	4

### Operating conditions

Ambient temperature	[°C]	-25...90
Note on ambient temperature		cULus: ...75 °C
Ambient temperature (moving)	[°C]	-25...90
Note on ambient temperature (moving)		cULus: ...75 °C
Protection		IP 65; IP 67; IP 68; IP 69K

# EVW001



## Connecting cable with socket

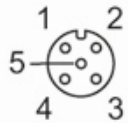
ADOGH040SCS0002T04

Mechanical data		
Weight [g]	82.2	
Dimensions [mm]	15.5 x 15.5 x 45	
Materials	housing: TPU orange; Sealing: FKM	
Material nut	brass, anti-spatter	
Drag chain suitability	yes	
Drag chain suitability	bending radius for flexible use	min. 10 x cable diameter
	travel speed	max. 3.3 m/s for a horizontal travel length of 5 m and max. acceleration of 5 m/s <sup>2</sup>
	bending cycles	> 2 Mio.
	torsional strain	± 180 °/m

Remarks	
Pack quantity	1 pcs.

**Electrical connection**  
Cable: 2 m, PUR, Halogen-free, grey, Ø 4.9 mm; not irradiated (can be recycled); resistant to welding sparks; 4 x 0.34 mm<sup>2</sup> (42 x Ø 0.1 mm )

**Electrical connection - socket**  
Connector: 1 x M12, straight; Locking: brass, anti-spatter; Contacts: gold-plated; Tightening torque: 0.6...1.5 Nm



# EVW001



## Connecting cable with socket

ADOGH040SCS0002T04

### Connection



Core colours :

- BK = black
- BN = brown
- BU = blue
- WH = white

### Diagrams and graphs

characteristic line for derating



Derating  $I_{max} * 0.8$  (DIN EN 60512-5-2)

X Ambient temperature [°C]

Y Current [A]