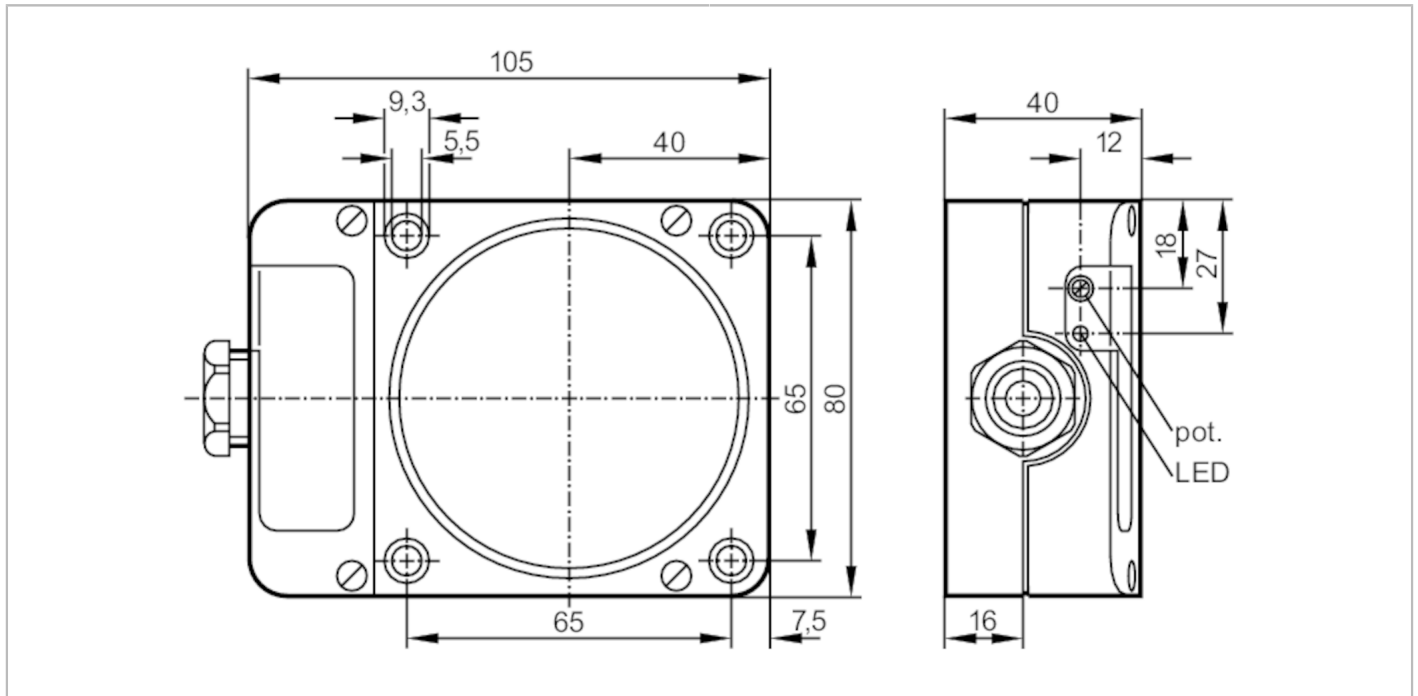


ID0013



Inductive sensor

IDE2060-FBOA



Product characteristics

Output function		normally open / normally closed; (selectable)
Sensing range	[mm]	60
Housing		rectangular
Dimensions	[mm]	105 x 80 x 40

Electrical data

Operating voltage	[V]	20...250 AC/DC
Protection class		II
Reverse polarity protection		no

ID0013



Inductive sensor

IDE2060-FBOA

Outputs		
Output function	normally open / normally closed; (selectable)	
Max. voltage drop switching output DC [V]	6.5	
Max. voltage drop switching output AC [V]	6.5	
Minimum load current [mA]	5	
Max. leakage current [mA]	2.5 (250 V AC) / 1.3 (110 V AC) / 1 (24 V DC)	
Permanent current rating of switching output AC [mA]	250; (350 (...50 °C))	
Permanent current rating of switching output DC [mA]	100	
Short-time current rating of switching output [mA]	2200; (20 ms / 0,5 Hz)	
Switching frequency AC [Hz]	4	
Switching frequency DC [Hz]	4	
Short-circuit proof	no	
Overload protection	no	
Detection zone		
Sensing range [mm]	60	
Sensing range adjustable	yes	
Factory setting sensing range [mm]	60	
Real sensing range Sr [mm]	60 ± 10 %	
Operating distance [mm]	0...48.6	
Accuracy / deviations		
Correction factor	steel: 1 / stainless steel: 0.7 / brass: 0.4 / aluminium: 0.3 / copper: 0.2	
Hysteresis [% of Sr]	1...15	
Switch point drift [% of Sr]	-10...10	
Operating conditions		
Ambient temperature [°C]	-25...80	
Protection	IP 65	
Tests / approvals		
EMC	EN 60947-5-2	
	EN 55011	class B
MTTF [years]	460	
UL approval	Ta	0...40 °C
	Enclosure type	Type 1
	voltage supply	Hazardous voltage
	File number UL	E174191
Mechanical data		
Weight [g]	444	
Housing	rectangular	
Mounting	non-flush mountable	
Dimensions [mm]	105 x 80 x 40	
Materials	PPE modified	

ID0013



Inductive sensor

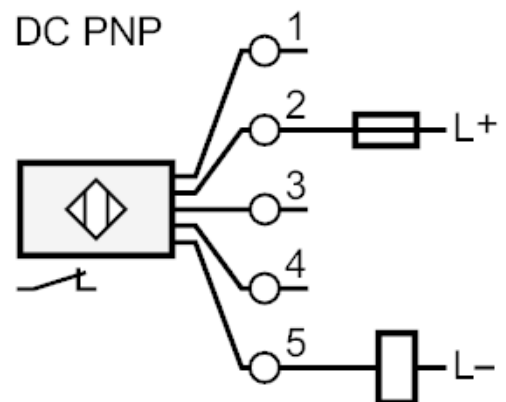
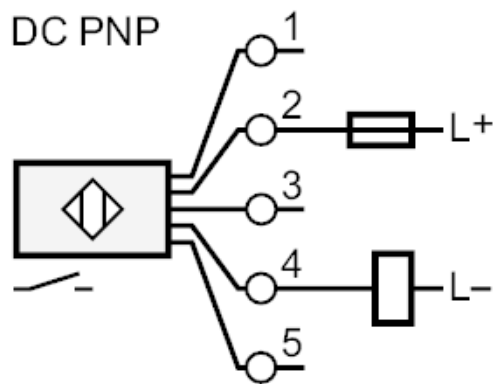
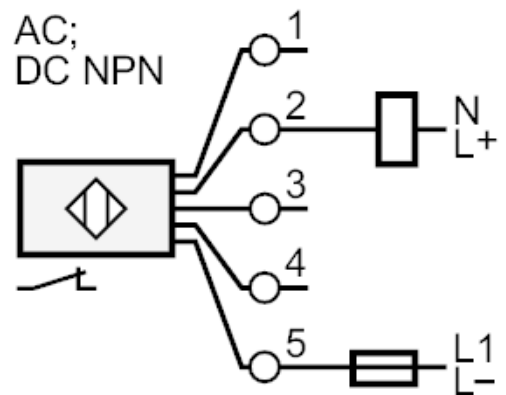
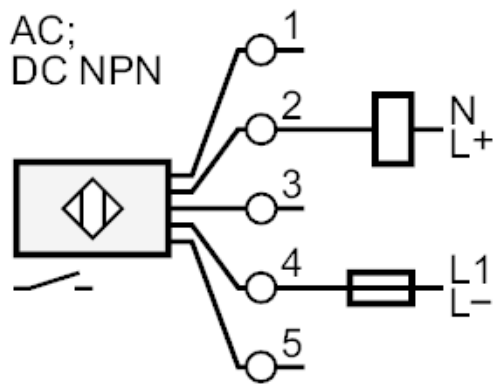
IDE2060-FBOA

Displays / operating elements		
Display	switching status	1 x LED, yellow
Electrical connection		
Required protection	miniature fuse to IEC60127-2 sheet 1; ≤ 2 A; fast acting	
Accessories		
Accessories (supplied)	screwdriver: 1	
Remarks		
Remarks	Recommendation: Check the safe functioning of the unit after a short circuit.	
Pack quantity	1 pcs.	

Electrical connection

terminals: ...2.5 mm²; Cable sheath: \varnothing 7...13 mm; Cable gland: M20 X 1.5

Connection



Note miniature fuse to IEC60127-2 sheet 1 ≤ 2 A fast acting