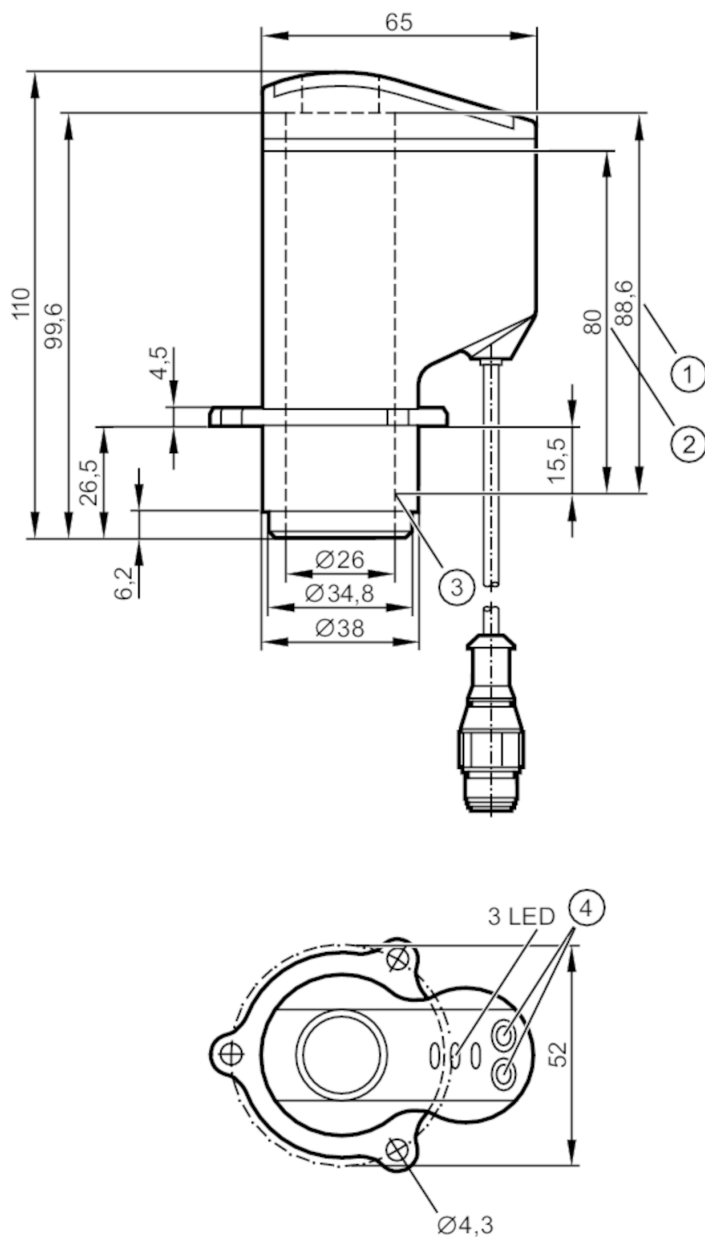


# IX5010



## Position sensor for rising stem valves

IX-3080-BPKG/3LED/0,3M/US



- 1 max. spindle stroke
- 2 measuring distance
- 3 initial value of the measuring range zero point
- 4 programming buttons



### Product characteristics

Electrical design	PNP
Output function	3 x normally open
Dimensions [mm]	65 x 52 x 110

### Application

Application

position feedback for seat valves and diaphragm valves;  
absolute distance measurement; monitoring of the valve seal

# IX5010



## Position sensor for rising stem valves

IX-3080-BPKG/3LED/0,3M/US

Electrical data		
Operating voltage [V]	18...36 DC	
Current consumption [mA]	42; (24 V)	
Protection class	III	
Reverse polarity protection	yes	
Max. power-on delay time [ms]	2000	
Outputs		
Electrical design	PNP	
Output function	3 x normally open	
Max. voltage drop switching output DC [V]	2.5	
Permanent current rating of switching output DC [mA]	100	
Short-circuit protection	yes	
Type of short-circuit protection	pulsed	
Overload protection	yes	
Detection zone		
Measuring range [mm]	0...80	
Max. target speed [m/s]	1	
Resolution of valve stroke [mm]	0.2	
Target	cylindrical disc	
	Ø 24 mm ±0,05 mm	
	minimum height 10 mm	
	flat surface	
	stainless steel to DIN17440, material number 316S12.	
Software / programming		
Parameter setting options	3 switch points to be freely defined within the measuring range	
Operating conditions		
Ambient temperature [°C]	-25...85	
Note on ambient temperature	for firmly laid cable	
Protection	IP 65; IP 67; (only in conjunction with an installation in the valve head that provides sufficient protection against mechanical damage of the sensor)	
Tests / approvals		
EMC	EN 61000-4-2 ESD	4 kV CD / 8 kV CD
	EN 61000-4-3 HF radiated	10 V/m
	EN 61000-4-4 Burst	2 kV coupling clamp
	EN 61000-4-6 HF conducted	3 V
MTTF [years]	298	
Mechanical data		
Weight [g]	217.5	
Type of mounting	3-hole flange	
Dimensions [mm]	65 x 52 x 110	
Materials	PA; TPE; PP; LCP	

# IX5010



## Position sensor for rising stem valves

IX-3080-BPKG/3LED/0,3M/US

### Displays / operating elements

Display	switching status	1 x LED, green open
	switching status	1 x LED, yellow seat
	switching status	1 x LED, red close

### Accessories

Accessories (supplied)	screws: 3
------------------------	-----------

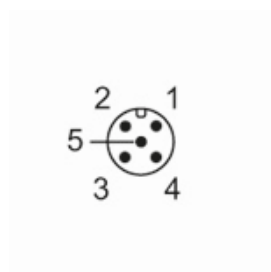
### Remarks

Pack quantity	1 pcs.
---------------	--------

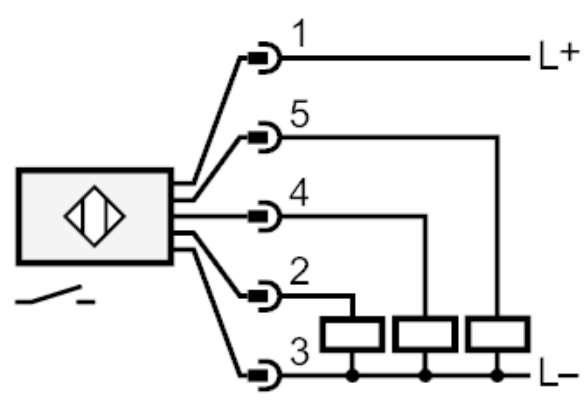
### Electrical connection - plug

Cable: 0.3 m, PVC; 5 x 0.14 mm<sup>2</sup>

Connector: 1 x M12



### Connection



- 2            OUT 2 close
- 4            OUT 3 open
- 5            OUT 1 seat