

SVS VALVE PLUG FORM B 10 MM FIELD-WIREABLE

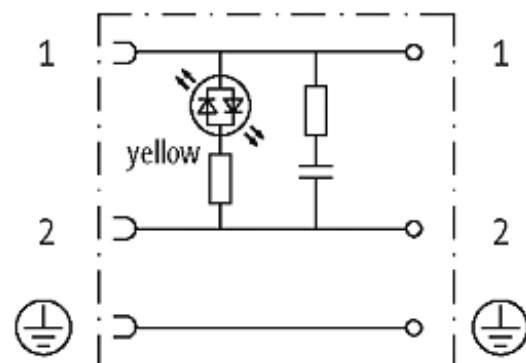
24V LED+RC M16x1.5

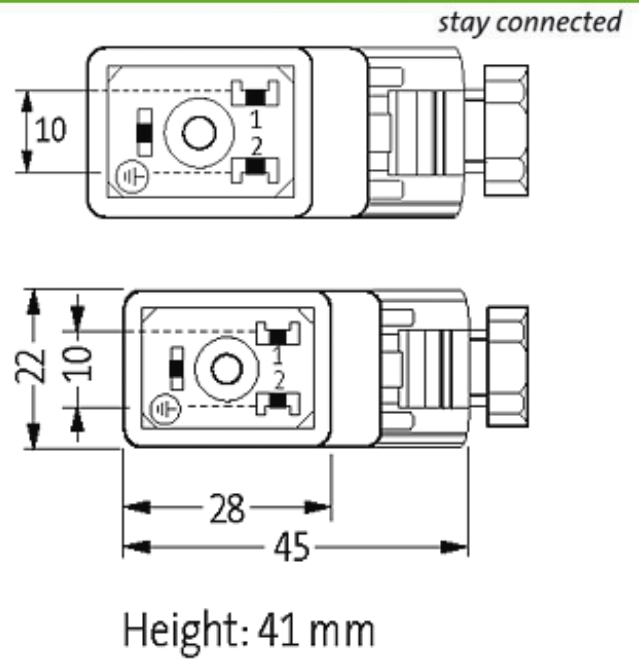
Form B (10 mm)
24 V AC/DC with LED and RC
metric

Plastic housings with good resistance against chemicals and oils. The resistance to aggressive media should be individually tested for your application. Further details on request.

[Link to Product](#)

Illustration





Product may differ from Image

Approvals



Form

29601

Technical Data

Operating voltage	24 V AC/DC $\pm 25\%$
Operating current per contact	max. 2 A
Max. power (W)	max. 50 W(VA)
Connection cross section	4 mm ² single core, with ferrule end 1.5 mm ²
Sealing range (cable diameter)	5...10 mm
Locking of ports	M3 (recommended torque 0.4 Nm)
Compression gland	M16 \times 1.5 mm
Protection	IP65 inserted and tightened (EN 60529), with gland

General data

Temperature range	-20...+60 °C
-------------------	--------------

Commercial data

country of origin	CZ
customs tariff number	85369010
minimum order quantity	1