



**Model Number**

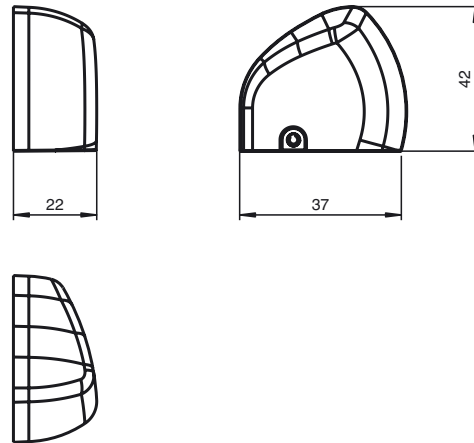
**TopScan-S Cap Set**

End cover for TopScan-S aluminum profile section

**Features**

- End cover for series TopScan-S aluminum profile section

**Dimensions**



**Technical data**

**Ambient conditions**

Ambient temperature -10 ... 50 °C (14 ... 122 °F)

**Mechanical specifications**

Material plastic

Mass approx. 4 g

**General information**

Packing unit 2

**Suitable series**

Series TopScan-S

Release date: 2013-09-20 16:21 Date of issue: 2013-09-20 193734\_eng.xml