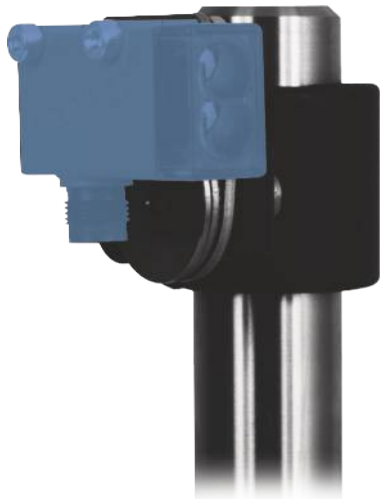


Mounting System for 54,5 × 27 × 16 mm (M)

WMS30KU

Part Number



Technical Data

Mechanical Data

Material Mounting Head	Plastic PA
Material Mounting Plate	Stainless Steel V2A
for Round Profile Diameter	30 mm
Packaging unit	1 Piece
Mounting Number	360

- Flexible alignment possibilities
- For 54,5 × 27 × 16 mm
- Plastic
- Simple installation

The mounting system allows to adjust sensors and reflectors and to turn them around 360 degrees in horizontal and vertical direction.

