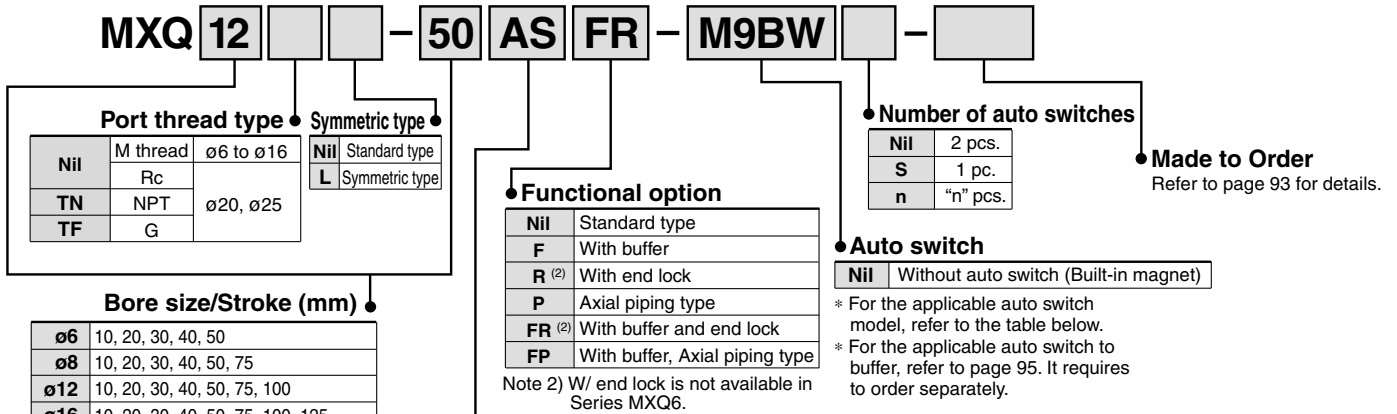


# Air Slide Table

## Series MXQ

ø6, ø8, ø12, ø16, ø20, ø25

### How to Order



**Adjuster option**

Nil	Without adjuster
AS	Extension end adjuster
AT	Retraction end adjuster
A	Double end adjuster
BS <sup>(1)</sup>	Extension end absorber
BT <sup>(1)</sup>	Retraction end absorber
B <sup>(1)</sup>	Double absorber
CS	Extension end metal stopper
CT	Retraction end metal stopper
C	Double metal stopper
ASBT <sup>(1)</sup>	Extension end adjuster + Retraction end absorber
ASCT	Extension end adjuster + Retraction end metal stopper
BSAT <sup>(1)</sup>	Extension end absorber + Retraction end adjuster
BSCT <sup>(1)</sup>	Extension end absorber + Retraction end metal stopper
CSAT	Extension end metal stopper + Retraction end adjuster
CSBT <sup>(1)</sup>	Extension end metal stopper + Retraction end absorber

### Option Combinations

Adjuster option	Functional option						
	Nil	F	R	P	FR	FP	
Nil	○	○	○	○	○	○	
AS	○	○ <sup>(3)</sup>	○	○	○ <sup>(3)</sup>	○ <sup>(3)</sup>	
AT	○	○	x	x	x	x	
A	○	○ <sup>(3)</sup>	x	x	x	x	
BS	○	x	○	○	x	x	
BT	○	○	x	x	x	x	
B	○	x	x	x	x	x	
CS	○	○ <sup>(3)</sup>	○	○	○ <sup>(3)</sup>	○ <sup>(3)</sup>	
CT	○	○	x	x	x	x	
C	○	○ <sup>(3)</sup>	x	x	x	x	
ASBT	○	○ <sup>(3)</sup>	x	x	x	x	
ASCT	○	○ <sup>(3)</sup>	x	x	x	x	
BSAT	○	x	x	x	x	x	
BSCT	○	x	x	x	x	x	
CSAT	○	○ <sup>(3)</sup>	x	x	x	x	
CSBT	○	○ <sup>(3)</sup>	x	x	x	x	

○ : Available, x : Not available

Note 1) W/ shock absorber is not available in Series MXQ6.

Note 3) With the combination of buffer mechanism and extension end stroke adjuster, the buffer stroke decreases by the amount of stroke adjusted with the extension end stroke adjuster.

### Applicable Auto Switch/Refer to pages 1719 to 1827 for the detailed specifications of auto switches.

Type	Special function	Electrical entry	Indicator light	Wiring (Output)	Load voltage		Auto switch model		Lead wire length (m)				Pre-wired connector	Applicable load		
					DC	AC	Perpendicular	In-line	0.5 (Nil)	1 (M)	3 (L)	5 (Z)				
Solid state switch	Diagnostic indication (2-color indication)	Grommet	Yes	3-wire (NPN)	24 V	5 V, 12 V	—	M9NV	M9N	●	●	●	○	○	IC circuit	Relay, PLC
				3-wire (PNP)				M9PV	M9P	●	●	●	○	○		
				2-wire				M9BV	M9B	●	●	●	○	○		
				3-wire (NPN)				M9NWV	M9NW	●	●	●	○	○		
				3-wire (PNP)				M9PWV	M9PW	●	●	●	○	○		
				2-wire				M9BWV	M9BW	●	●	●	○	○		
Reed switch	—	Grommet	No	3-wire (NPN equivalent)	—	5 V	—	A96V	A96	●	—	●	—	—	IC circuit	—
				2-wire	24 V	12 V	100 V	A93V	A93	●	—	●	—	—	—	Relay, PLC
						100 V or less		A90V	A90	●	—	●	—	—	IC circuit	Relay, PLC

\* Lead wire length symbols: 0.5 m ..... Nil (Example) M9NW  
 1 m ..... M (Example) M9NWM  
 3 m ..... L (Example) M9NWL  
 5 m ..... Z (Example) M9NWZ

\* Solid state auto switches marked with "○" are produced upon receipt of order.

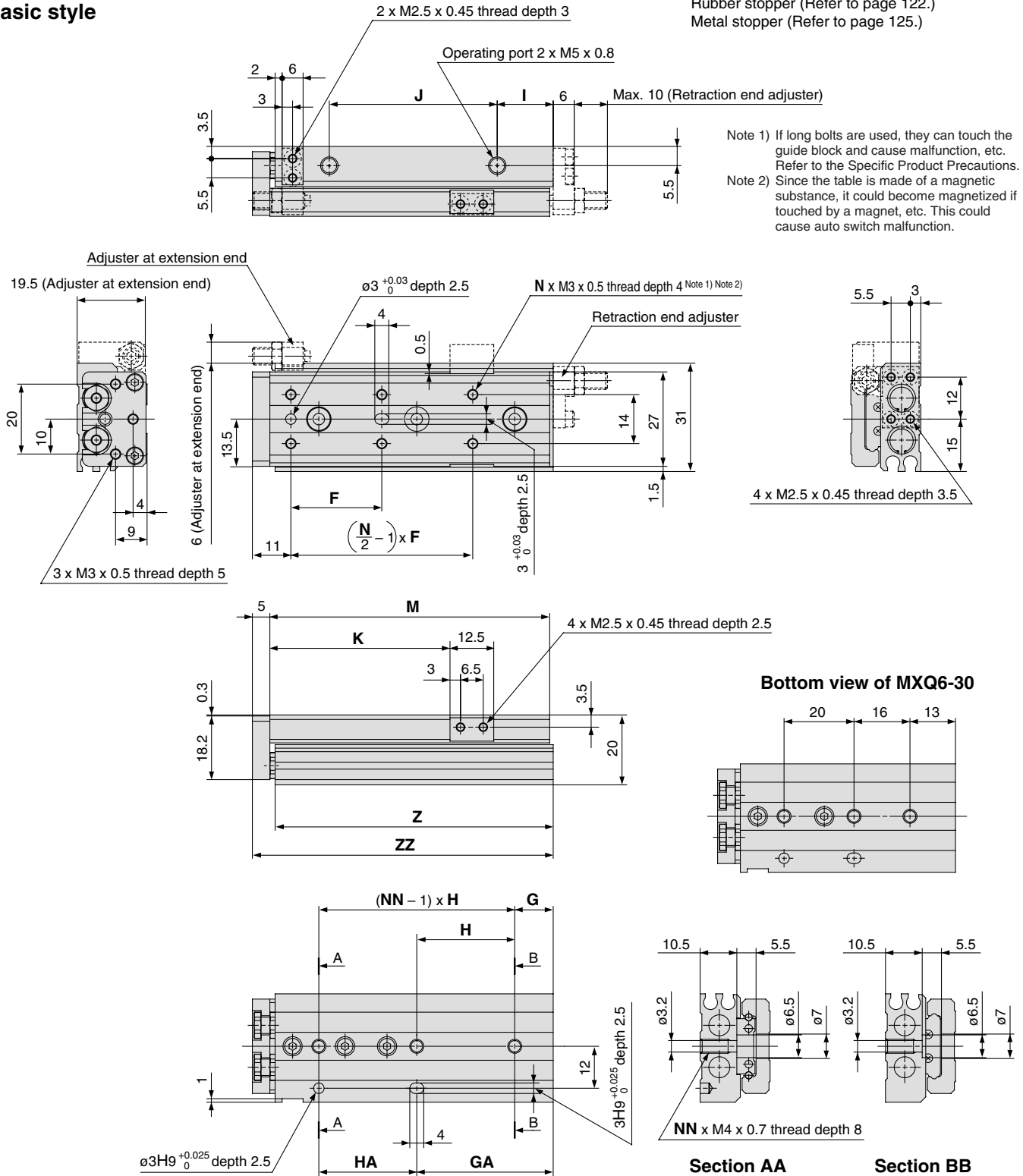
\* Since there are other applicable auto switches than listed, refer to page 128 for details.  
 \* For details about auto switches with pre-wired connector, refer to pages 1784 and 1785.  
 \* Auto switches are shipped together (not assembled).

# Series MXQ

## Dimensions: MXQ6

\* For detailed dimensions about the stroke adjuster, refer to the option for the stroke adjuster.  
 Rubber stopper (Refer to page 122.)  
 Metal stopper (Refer to page 125.)

### Basic style



(mm)

Model	F	N	G	H	NN	GA	HA	I	J	K	M	Z	ZZ
MXQ6-10	22	4	6	23	2	13	16	9	17	21.5	42	41.5	48
MXQ6-20	25	4	13	26	2	13	26	9	27	31.5	52	51.5	58
MXQ6-30	21	6	Note)	Note)	3	29	20	9	37	41.5	62	61.5	68
MXQ6-40	26	6	11	28	3	39	28	16	48	51.5	80	79.5	86
MXQ6-50	27	6	21	28	3	49	28	9	65	61.5	90	89.5	96

Note) Refer to the bottom view of MXQ6-30.