

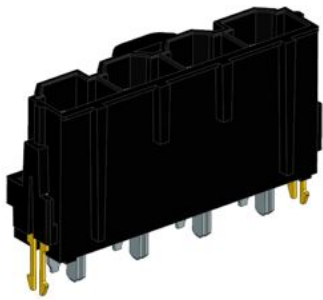


Product Change Notification

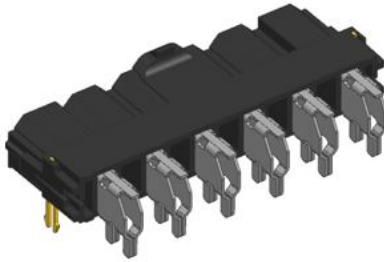
Date Issued :	April 22, 2022	PCN Number :	511711
Reason for Change :	Equipment Transfer, Production Transfer or Rearrangement		
Description of Change :	This notification is to inform you about equipment transfer that have been used to manufacture impacted part(s). Equipment have been moved to MFG Site change from Molex Lincoln to Shanghai. No changes will be made to product as part of this change.		
Assessment of Change :	Reliability Test Report/s		
Planned Implementation Date :	October 22, 2022		
Sample Availability Date:	April 30, 2022		
Internal Molex Qualification Date :	April 30, 2022		
Last date to request Samples by Customer :	June 30, 2022		
Traceability Code Markings / Date :	Date code		

Before Picture

Affected Products Photos



Mini-Fit Sr Vertical Header 42819



Mini-Fit Sr Right angle Header 42820



Mini-Fit Sr Female terminal 42815

After Picture

CFD

- Expanding capacity for Mini-Fit Sr Crimping terminals, and Headers with their corresponding components in Molex Shanghai to support market growth.
- Customers will be supplied from Nogales, Lincoln or Shanghai production facilities going forward
- Product Impact: No impact to fit, form or function
- Part number Impact: see attached impacted part list
- Qualification Reports and samples available upon request after the date shown below
TARGET IMPLEMENTATION DATE: will implement phase by phase when the parts qualification completed.



Impact PN list

RELEASED

You may address inquires regarding this PCN by clicking on the below link
mailto:pcn_coordinator@molex.com?subject=PCN_Notification:511711
or contact your Local Sales Engineer.

Note: While responding, please retain " PCN Notification : **PCN Notification: 511711** " in the e-mail Subject line for faster response.

[Molex, LLC](#)
2222 Wellington Court
Lisle, IL 60532
TEL (800) 786-6539
www.molex.com