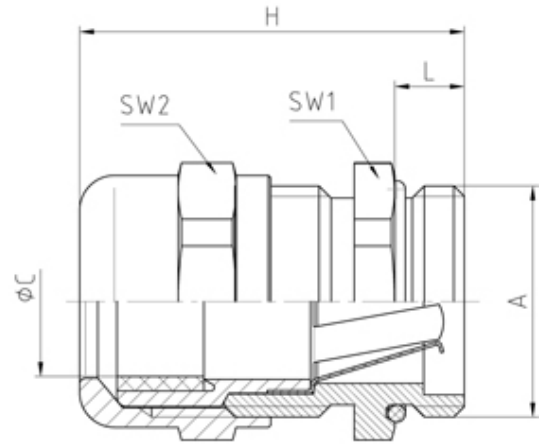


50.625 M/EMVDL

Perfect cable gland EMVD M25X1,5 thread length 11, min/max cable dia 11-16



SPECIFICATION

Product Type	EMVD/EMCD
Sealing Ring Material	Polychloroprene-Nitrile rubber CR/NBR
Body Material	Nickel Plated Brass
Min Temperature °C	-20
Max Temperature °C	100
IP Rating	68
Thread Size	M25
Clamping Range Min (mm)	11
Clamping Range Max (mm)	16
Lamellar Insert Material	Polyamide PA6 V-2
External Connecting Thread Type	Metric
Thread Length (mm)	11
Contact Spring Material	Stainless steel
Comments	details about tests - see annex
Width Across Flat 1 (mm)	27
Width Across Flat 2 (mm)	27
Height (mm)	40.5
Connecting Thread Size	M25x1.5
Additional Material Detail	Body - Brass CuZn39Pb3 nickel plated, O-Ring - Nitrile rubber
Standards	UL514B

DISTRIBUTORS

