

Type: **M22-WRLK3-G**

Article No.: **216847**



Stay-put/spring return function, encodable with M22-XC-Y

### Ordering information

Front ring			Front ring: titanium
Description			3 positions
Function:			60° Stay-put 60°
Colour			Green
Protection type			IP66

### Colour



### Notes concerning the product group

Front ring gold-plated, → 274150

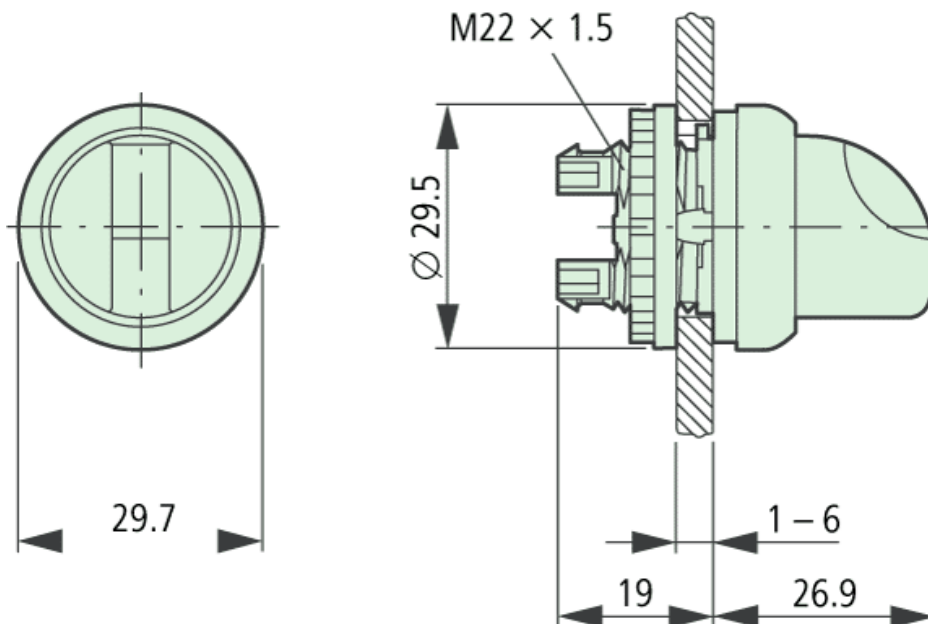
### General

Standards			IEC/EN 60947 VDE 0660
Lifespan, mechanical	Operations	× 10 <sup>6</sup>	> 0,1
Operating frequency	Operations/h		2000
Operating torque		Nm	0,3
Protection type			IP66
Climatic proofing			Damp heat, constant, to IEC 60068-2-78 Damp heat, cyclic, to IEC 60068-2-30

Ambient temperature			
Open		°C	-25/70
Mounting position			As required
Mechanical shock resistance, shock duration 11 ms		g	> 30

## Dimensions

### Dimensions



Moeller GmbH, Hein-Moeller-Str. 7-11, D-53115 Bonn  
 E-Mail: [catalog@moeller.net](mailto:catalog@moeller.net), Internet: [www.moeller.net](http://www.moeller.net), <http://catalog.moeller.net>  
 Copyright 2006 by Moeller GmbH. Subject to modifications. HPL-C2006GB-INT V2.3