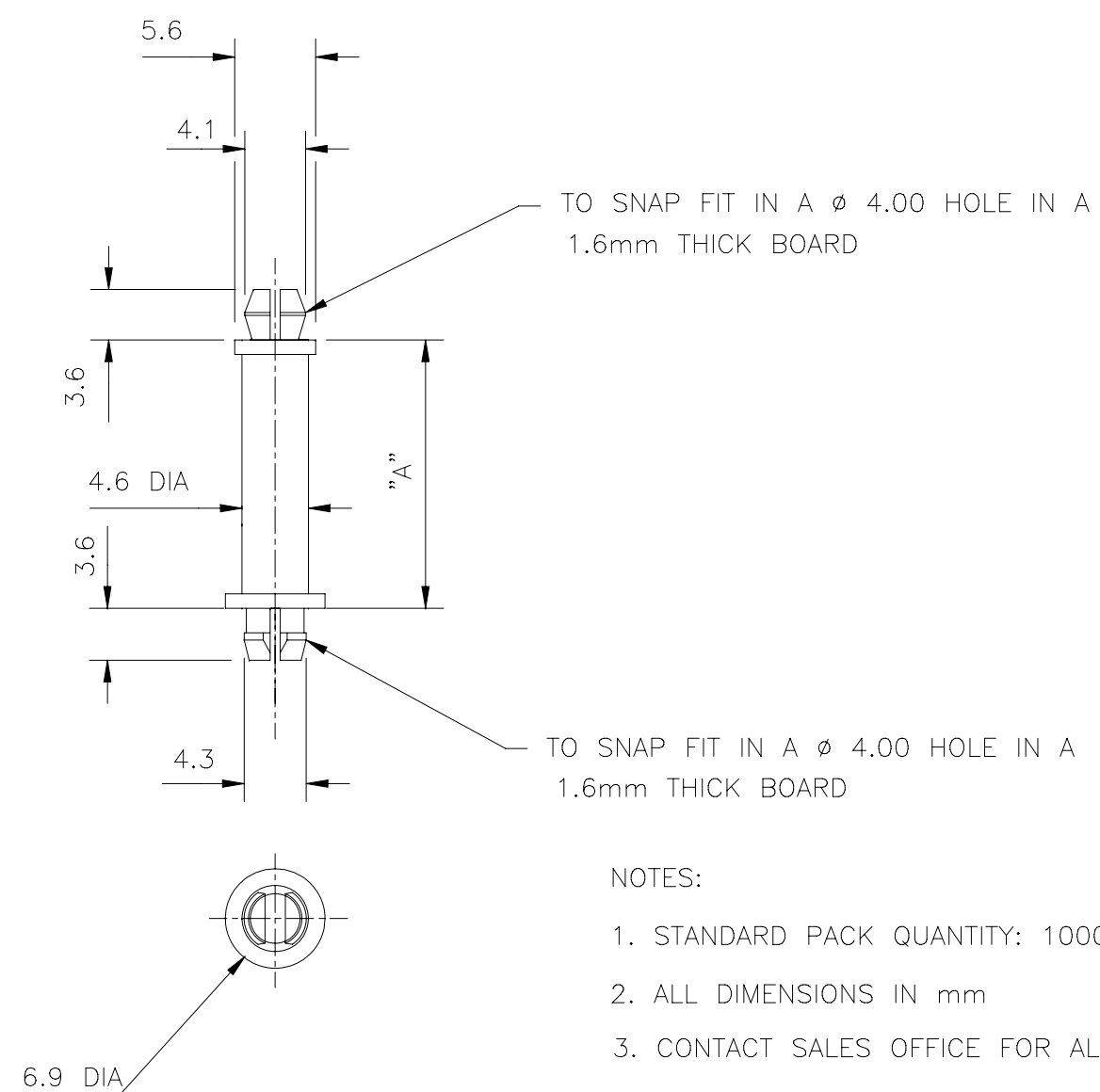


ISSUE No	REVISION	DATE	CHKD
A	NEW DWG	200893	
B	SCN95/010	70395	PTG



- NOTES:
1. STANDARD PACK QUANTITY: 1000
  2. ALL DIMENSIONS IN mm
  3. CONTACT SALES OFFICE FOR ALTERNATIVE MATERIALS.

MSPS-14-YY	22.2
MSPS-12-YY	19.1
MSPS-11-YY	17.5
MSPS-10-YY	15.9
MSPS-8-YY	12.7
MSPS-7-YY	11.1
MSPS-6-YY	9.5
MSPS-5-YY	7.9
MSPS-4-YY	6.4
MSPS-3-YY	4.8
PART No.	DIM "A"

MSPS-XX-19	NYLON 6/6 FR (RMS-19) COLOUR - NATURAL
MSPS-XX-01	NYLON 6/6 (RMS-01) COLOUR - NATURAL
PART No.	MATERIAL


INFORMATION CONTAINED IN THIS DOCUMENT IS CONFIDENTIAL TO RICHCO INTERNATIONAL COMPANY AND MAY NOT BE DISCLOSED OR REPRODUCED IN WHOLE OR PART WITHOUT THEIR WRITTEN CONSENT

PART DESIGNED IN METRIC / -IMPERIAL-

TOLERANCES -UNLESS OTHERWISE STATED

1 PLACE	± 0.25
2 PLACE	±

ANGLES ± -- °

DRN	PTG	MATERIAL: SEE CHART	
CHKD	PG	TITLE: MINIATURE SUPPORT POST	
APPD	SCALE	DESCRIPTION	SIZE
NTS		MSPS-XX-YY	 A4
		DRG No	SHEET No
		109-0301	1 of 1
			DATE
			200893