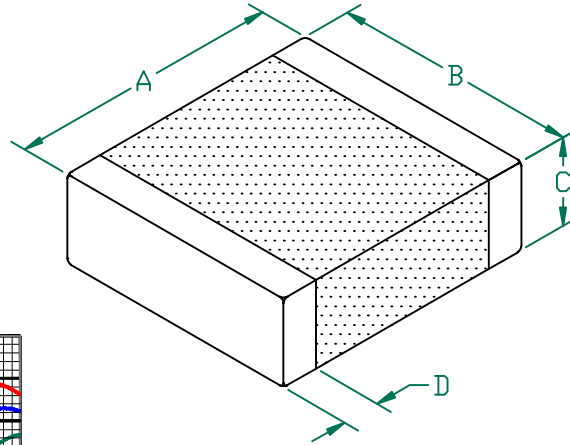


# HI2220T101R-10

**UNCONTROLLED DOCUMENT**

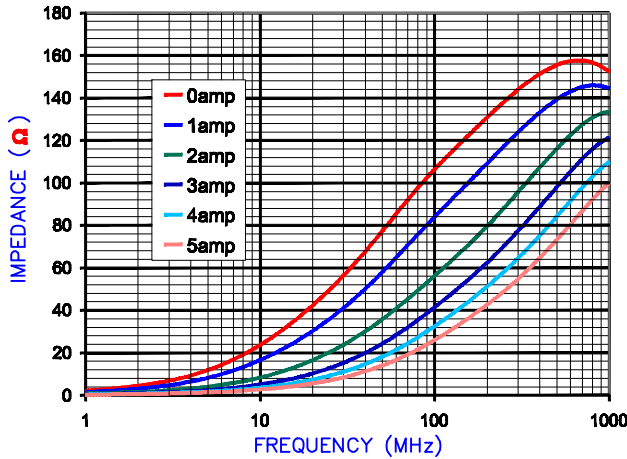
PHYSICAL DIMENSIONS:

A	5.59 [.220]	+ 0.51 [.020]
B	5.08 [.200]	+ 0.25 [.010]
C	1.80 [.071]	+ 0.25 [.010]
D	0.76 [.030]	+ 0.25 [.010]

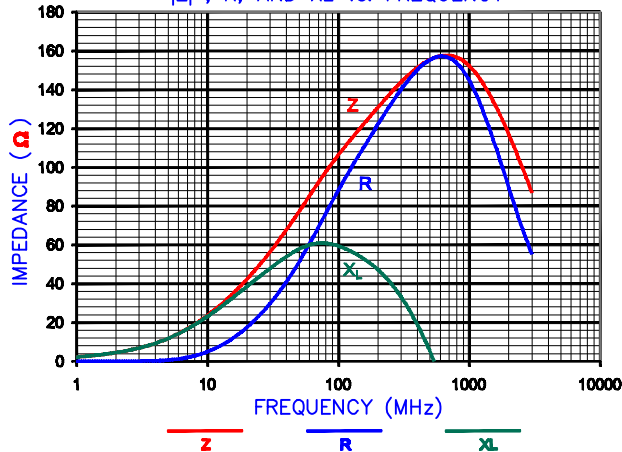


ELECTRICAL CHARACTERISTICS:			
Z @ 100MHz (Ω)	DCR (Ω)	Rated Current	
Nominal	100		
Minimum	75		
Maximum	125	0.006	6000 mA

Z vs. FREQUENCY  
IMPEDANCE UNDER DC BIAS



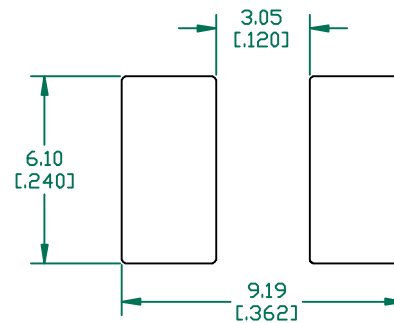
|Z|, R, AND XL vs. FREQUENCY



NOTES: UNLESS OTHERWISE SPECIFIED

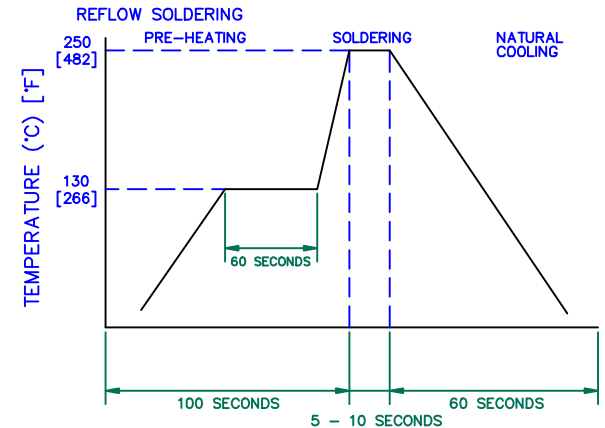
1. TAPED AND REELED per CURRENT EIA SPECIFICATIONS 13" REELS, 2,000 PCS/REEL.
2. TERMINATION FINISH IS 100% TIN.
3. COMPONENTS SHOULD BE ADEQUATELY PREHEATED BEFORE SOLDERING.

LAND PATTERNS FOR REFLOW SOLDERING



(For wave soldering, add 0.762 [.030] to this dimension)

RECOMMENDED SOLDERING CONDITIONS



DIMENSIONS ARE IN mm [INCHES].				This print is the property of Laird Technologies and is loaned in confidence subject to return upon request and with the understanding that no copies shall be made without the written consent of Laird Technologies. All rights to design or invention are reserved.			
PROJECT/PART NUMBER:				REV	PART TYPE:	DRAWN BY:	
HI2220T101R-10				B	CO-FIRE	TMB	
B	UPDATE COMPANY LOGO ADD ROHS SYMBOL	02/14/08	JRK	DATE:	04/03/04	SCALE:	NTS
A	ORIGINAL DRAFT	04/03/04	TMB	CAD #	HI2220T101R-10-B	TITLE #	
REV	DESCRIPTION	DATE	INT			SHEET: 2 of 2	