

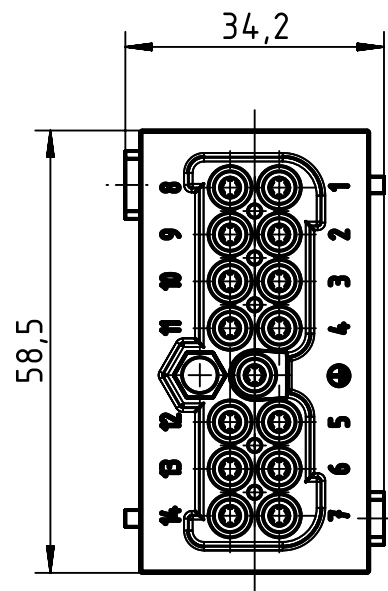
1 2 3 4 5 6

A

B

C

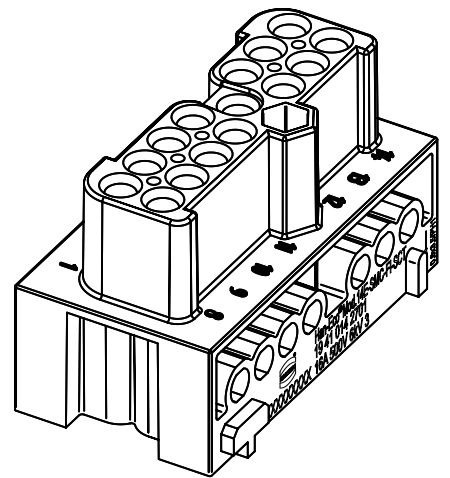
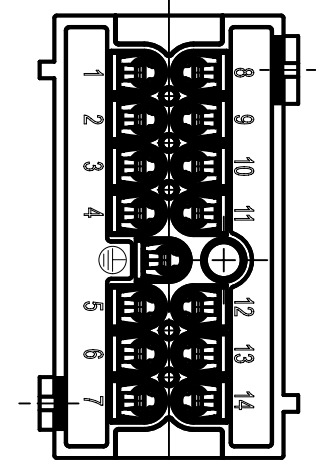
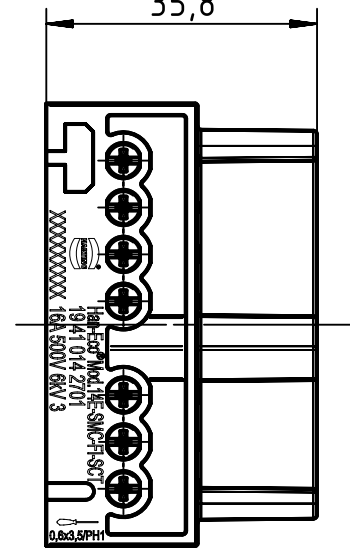
D



34,2

58,5

35,8



	All Dimensions in mm Original Size DIN A4		Scale 1:1	Free size tol.		Ref.
						Sub.
	All rights reserved		Created by HELLMANN	Inspected by BERGHORN	Standardisation TIEMANNA	Date 2018-10-05
	Department EL PD					State Final Release
HARTING Electric GmbH & Co. KG D-32339 Espelkamp			Title Han-Eco Mod.14E-SMC-FI-SCT			Doc-Key / ECM-Nr. 10051204.0/UGD/002/C 50000014.04.94
			Type TB	Number 19 41 014 2701		Rev. C Page 1/1