

34856 ✓ ACTIVE

PLASTI-GRIP | PLASTI-GRIP

TE Internal #: 34856

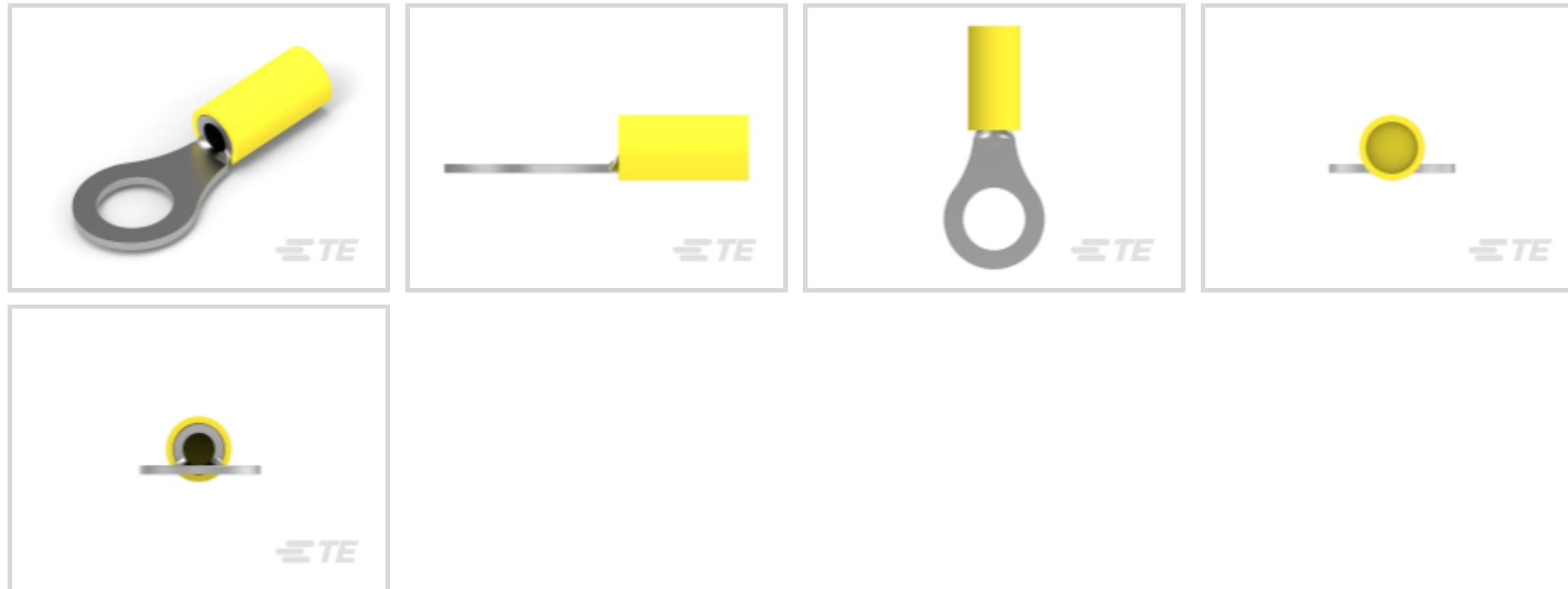
PLASTI-GRIP, Ring Terminals & Spade Terminals, Ring Tongue, 12 – 10AWG Wire Size, 2.62 – 6.62mm<sup>2</sup> Wire Size, 5180 – 13100CMA

Wire Size, M8 / 5/16

[View on TE.com >](#)



Terminals & Splices > Ring Terminals & Spade Terminals



Terminal & Splice Type: **Ring Tongue**

Wire Size: **5180 – 13100 CMA**

Ring & Spade Stud Size: **5/16, M8**

## Features

### Product Type Features

Shape Description	RING-043
Ring & Spade Stud Size	5/16, M8
Ring & Spade Barrel Type	Closed Barrel
Sealable	No
Insulated	Yes
Ring & Spade Wire/Cable Type	Regular Wire
Support Style	Insulation Support

### Configuration Features

Number of Holes	1
Terminal Angle	Straight

### Electrical Characteristics

Voltage (Max)	600 V
---------------	-------

### Body Features

Inspection Slot	No
Weight per Piece	6.864 g



Ring & Spade Plating Material	Copper, Tin
-------------------------------	-------------

### Contact Features

Terminal & Splice Type	Ring Tongue
------------------------	-------------

Ring & Spade Terminal Orientation	Offset
-----------------------------------	--------

### Mechanical Attachment

Wire Insulation Support	With
-------------------------	------

### Dimensions

Wire Size	5180 – 13100 CMA
-----------	------------------

Stud Diameter	8.33 mm[.328 in]
---------------	------------------

Tongue Thickness	1.07 mm[.042 in]
------------------	------------------

Ring & Spade Overall Length	33.71 mm[1.33 in]
-----------------------------	-------------------

Ring & Spade Wire Insulation Diameter (Max)	6.35 mm[.25 in]
---	-----------------

Ring & Spade Wire Insulation Diameter	3.81 – 6.35 mm[.15 – .25 in]
---------------------------------------	------------------------------

### Usage Conditions

Insulation Requirement	Partially Insulated
------------------------	---------------------

Operating Temperature Range	105 °C[221 °F]
-----------------------------	----------------

### Operation/Application

Heavy Duty	No
------------	----

### Industry Standards

Government Qualified	No
----------------------	----

### Packaging Features

Packaging Quantity	500
--------------------	-----

Ring & Spade Packaging Method	Loose Piece
-------------------------------	-------------

### Product Compliance

[For compliance documentation, visit the product page on TE.com>](#)

EU RoHS Directive 2011/65/EU	Compliant
------------------------------	-----------

EU ELV Directive 2000/53/EC	Compliant
-----------------------------	-----------

China RoHS 2 Directive MIIT Order No 32, 2016	No Restricted Materials Above Threshold
---	---

EU REACH Regulation (EC) No. 1907/2006	Current ECHA Candidate List: JAN 2021 (211) Candidate List Declared Against: JAN 2021 (211)
--	--



Does not contain REACH SVHC

Halogen Content

Not Low Halogen - contains Br or Cl > 900 ppm.

Solder Process Capability

Not applicable for solder process capability

Product Compliance Disclaimer

This information is provided based on reasonable inquiry of our suppliers and represents our current actual knowledge based on the information they provided. This information is subject to change. The part numbers that TE has identified as EU RoHS compliant have a maximum concentration of 0.1% by weight in homogenous materials for lead, hexavalent chromium, mercury, PBB, PBDE, DBP, BBP, DEHP, DIBP, and 0.01% for cadmium, or qualify for an exemption to these limits as defined in the Annexes of Directive 2011/65/EU (RoHS2). Finished electrical and electronic equipment products will be CE marked as required by Directive 2011/65/EU. Components may not be CE marked. Additionally, the part numbers that TE has identified as EU ELV compliant have a maximum concentration of 0.1% by weight in homogenous materials for lead, hexavalent chromium, and mercury, and 0.01% for cadmium, or qualify for an exemption to these limits as defined in the Annexes of Directive 2000/53/EC (ELV). Regarding the REACH Regulation, the information TE provides on SVHC in articles for this part number is based on the latest European Chemicals Agency (ECHA) 'Guidance on requirements for substances in articles' posted at this URL: <https://echa.europa.eu/guidance-documents/guidance-on-reach>

## Compatible Parts

TE Part # 58433-3  
PRO CR ASSY, RBY IS9252

TE Part # 58423-1  
DIE, RBY IS9252

TE Part # 679300-1  
1210 PIDG CRIMP HEAD

TE Part # 59824-1  
TETRA-CRIMP PIDG PG FASTON 22-10 ASSY

TE Part # 59239-4  
HHHT PIDG PG 12-10 ASSY

TE Part # 539691-2  
ERGO DIE R.B.Y

TE Part # 2063030-1  
SDE DIESET, RBY, UL

TE Part # 2063361-1  
DIE ASM, 12-10 PIDG, BATT TL

TE Part # 47808-6  
DIES PIDG 12-10 DIE SET

TE Part # 169404  
CERTI-LOK DIE

TE Part # 169400  
CERTI-LOK

TE Part # 1-59239-4  
HHHT PIDG 16-10 HEAD

Also in the Series | **PLASTI-GRIP**



Compression Connectors(3)



Crimp Wire Pins, Tabs &amp; Ferrules(11)



Ring Terminals &amp; Spade Terminals(208)

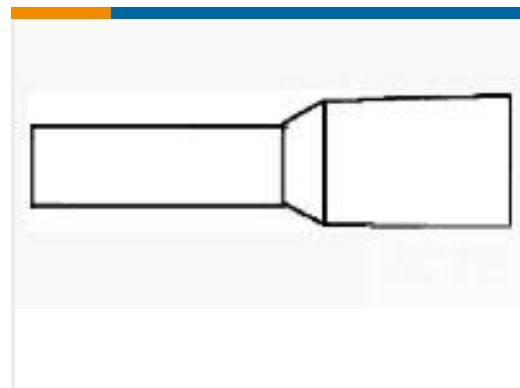


Splices(45)

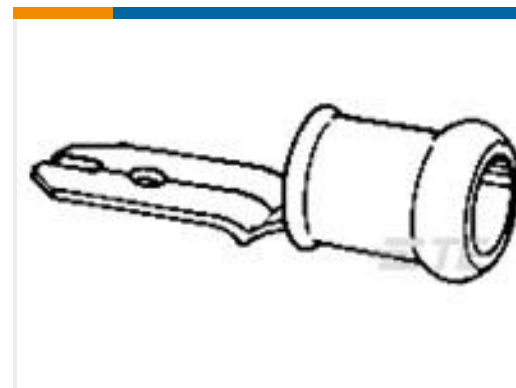
## Customers Also Bought



TE Part #160314-2  
PIDG FASTON RECPT QUICK  
DISCONNECTS



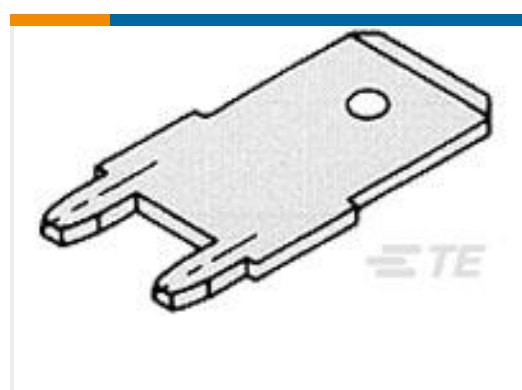
TE Part #1-966067-0  
ADERENDHUELSE HL RT



TE Part #140971-2  
FASTON PIDG TAB 250 SER



TE Part #160292  
PLASTI-GRIP, RING, 12-10 M5



TE Part #1217566-2  
250 FASTON,PCB TAB,TCBR



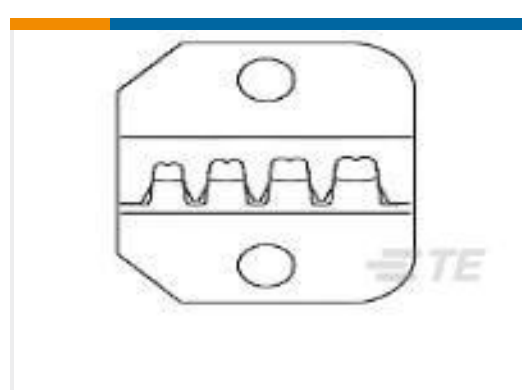
TE Part #146860-1  
B/A REELED SRST HDR ASSY 15 AU



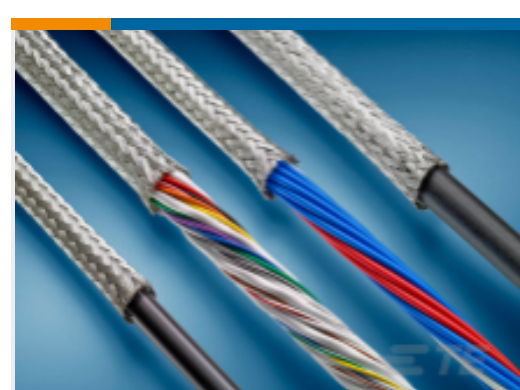
TE Part #1622473-2  
LR1 1% 402R



TE Part #160300  
PLASTI-GRIP 12-10 RING M10



TE Part #1424050-1  
PREMIUM SDE DIE BNC



TE Part #CQ50513001  
RAY-103-10.0(10)

## Documents

### Product Drawings

TERMINAL,PG R 12-10 5/16

English

### CAD Files

3D PDF

3D

Customer View Model

ENG\_CVM\_CVM\_34856\_AA.2d\_dxf.zip



English

**Customer View Model**

[ENG\\_CVM\\_CVM\\_34856\\_AA.3d\\_igs.zip](#)

English

**Customer View Model**

[ENG\\_CVM\\_CVM\\_34856\\_AA.3d\\_stp.zip](#)

English

By downloading the CAD file I accept and agree to the [Terms and Conditions](#) of use.

---

**Product Specifications**

**Application Specification**

English

---

**Product Environmental Compliance**

[MD\\_34856\\_111320142126\\_dmtec](#)

English

[MD\\_34856\\_111320142126\\_dmtec](#)

English

---

**Agency Approvals**

**UL Report**

English

**UL Report**

English

**UL Report**

English