

EMPARRO67 POWER SUPPLY 1-PHASE

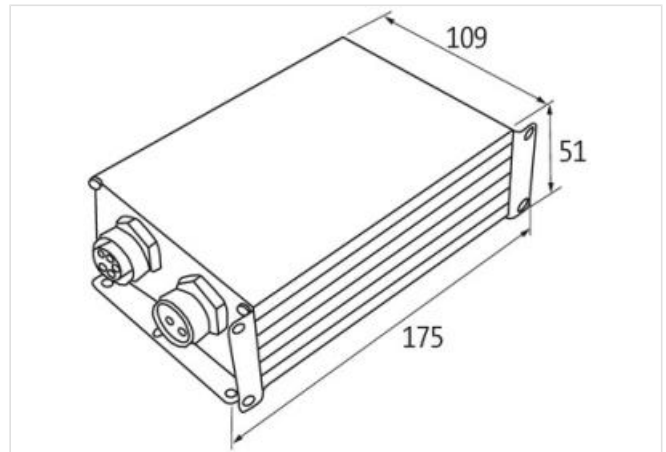
IN: 100-240VAC OUT: 24VDC/8A

Emparro@67

INPUT: 90...265 V AC/90...265 V DC

OUTPUT: 24 V DC (SELV), $\pm 2\%$

Current: 8 A

[Link to Product](#)**Illustration**

Product may differ from Image

**Commercial data**

ECLASS-6.0	27049002
ECLASS-6.1	27049002
ECLASS-7.0	27049002
ECLASS-8.0	27049002
ECLASS-9.0	27040701
ECLASS-10.1	27040701
ECLASS-11.1	27040701
ECLASS-12.0	27040701
ETIM-5.0	EC002540
customs tariff number	85044095
GTIN	4048879482677
Packaging unit	1

Electrical data

Number of devices parallel connection max.	3
Number of devices series connection max.	2
Parallel connection	yes
Series connection	yes
Security level	SELV

Electrical data | Supply

Power frequency	50 ... 60 Hz
-----------------	--------------

The information in this Product-PDF has been compiled with the utmost care.

Liability for the correctness completeness and topicality of the information is restricted to gross negligence. Version: 2024-05-14

Murrelektronik GmbH | Falkenstr. 3 | 71570 Oppenweiler | Fon +49 (71 91) 47-0 | Fax +49 (71 91) 47-491000 | shop@murrelektronik.de | shop.murrelektronik.de

Electrical data | Input

Fuse protection primary side internal	6,3 A
Characteristic back-up fuse	Inertia
Input voltage 1 AC	100 V
Input voltage 2 AC	240 V
Input voltage AC min.	90 V
Input voltage AC max.	265 V
Input voltage DC min.	90 V
Input voltage DC max.	265 V
Input current at input voltage 1 AC	2,1 A
Input current at input voltage 2 AC	0,9 A
Inrush current max.	7 A @ 230 V
Efficiency	93,5 % @ 115 V AC, 94,2 % @ 230 V AC

Electrical data | Output

Output voltage DC	24 V
Output voltage DC min.	23,52 V
Output voltage DC max.	24,48 V
Output voltage adjustable	no
Output current	8 A
Duration Power Boost min.	4 s
Mains failure bridging min.	35 ms @ 230 V AC
Power Boost	150 %
Ripple effective max.	30 mV
Spikes (s-s) max.	300 mV

Device protection | Electrical

Degree of protection (EN IEC 60529)	IP67
Overload protection output	yes
Short-circuit protection output	yes
Overtemperature protection output	yes

Mechanical data | Mounting data

Suitable for mounting type	6 hole screw mounting
Height	51 mm
Width	109 mm
Depth	175 mm

Environmental characteristics | Climatic

Operating temperature min.	-40 °C
Operating temperature max.	60 °C
Derating from	60 °C
Storage temperature min.	-40 °C
Storage temperature max.	80 °C
Relative humidity min. (operation)	4 %
Relative humidity max. (operation)	100 %

Connection type 1

Connection type 1	Output
Family construction form	7/8"
Gender	female
Color contact carrier	black
No. of poles	5
PIN 1	0 V DC
PIN 2	0 V DC
PIN 3	PE
PIN 4	24 V DC

PIN 5

24 V DC