

# 20SRBS1-X ✓ ACTIVE

Corcom | Corcom SRB

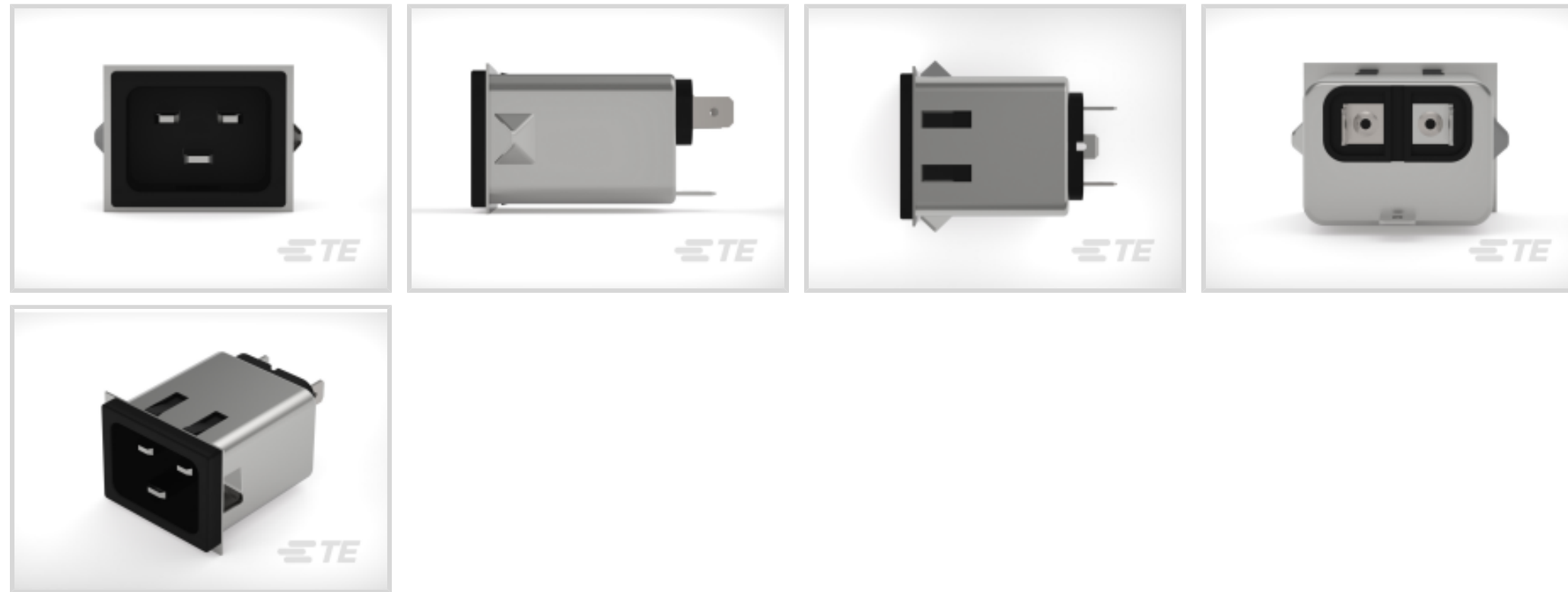
TE Internal #: 6-1609152-0

Corcom SRB, Multi-Function Inlet Filters, Power Line, Vertical,  
Leakage Current (Max) (120VAC, 60Hz) 100  $\mu$ A

[View on TE.com >](#)



EMI Filters > Multi-Function Inlet Filters > CORCOM SRB SERIES IEC FILTERED INLETS



Filter Type: **Power Line**

Mount Angle: **Vertical**

Leakage Current (Max) (120VAC, 60Hz): **100  $\mu$ A**

Leakage Current (Max) (250VAC, 50Hz): **200  $\mu$ A**

Filter Current Rating: **20 A**

[All CORCOM SRB SERIES IEC FILTERED INLETS \(71\)](#)

## Features

### Product Type Features

Ground Choke Option	No
Ground Option	None
Filter Type	Power Line
Filter Input Termination Type	IEC
Filter Output Termination Type	.250" FASTON
Filtering Requirements	Filtered
Filter Connector Type	IEC 60320-1 C-20

### Electrical Characteristics

Leakage Current (Max) (120VAC, 60Hz)	100 $\mu$ A
Leakage Current (Max) (250VAC, 50Hz)	200 $\mu$ A
Filter Current Rating	20 A
Voltage Rating (Max)	250 VAC

### Mechanical Attachment



Mount Angle	Vertical
-------------	----------

Filter Mount Style	Snap-In
--------------------	---------

### Dimensions

Panel Thickness Range	.78 – 1.19 mm [.031 – .047 in]
-----------------------	--------------------------------

### Usage Conditions

Operating Temperature Range	-10 – 40 °C
-----------------------------	-------------

## Product Compliance

For compliance documentation, visit the product page on [TE.com](https://www.te.com)>

EU RoHS Directive 2011/65/EU	Compliant
------------------------------	-----------

EU ELV Directive 2000/53/EC	Compliant
-----------------------------	-----------

China RoHS 2 Directive MIIT Order No 32, 2016	No Restricted Materials Above Threshold
---	---

EU REACH Regulation (EC) No. 1907/2006	Current ECHA Candidate List: JAN 2021 (211) Candidate List Declared Against: JUN 2020 (209) SVHC > Threshold: Not Yet Reviewed
--	---

Halogen Content	Low Halogen - Br, Cl, F, I < 900 ppm per homogenous material. Also BFR/CFR/PVC Free
-----------------	---

Solder Process Capability	Not applicable for solder process capability
---------------------------	--

#### Product Compliance Disclaimer

This information is provided based on reasonable inquiry of our suppliers and represents our current actual knowledge based on the information they provided. This information is subject to change. The part numbers that TE has identified as EU RoHS compliant have a maximum concentration of 0.1% by weight in homogenous materials for lead, hexavalent chromium, mercury, PBB, PBDE, DBP, BBP, DEHP, DIBP, and 0.01% for cadmium, or qualify for an exemption to these limits as defined in the Annexes of Directive 2011/65/EU (RoHS2). Finished electrical and electronic equipment products will be CE marked as required by Directive 2011/65/EU. Components may not be CE marked. Additionally, the part numbers that TE has identified as EU ELV compliant have a maximum concentration of 0.1% by weight in homogenous materials for lead, hexavalent chromium, and mercury, and 0.01% for cadmium, or qualify for an exemption to these limits as defined in the Annexes of Directive 2000/53/EC (ELV). Regarding the REACH Regulation, the information TE provides on SVHC in articles for this part number is based on the latest European Chemicals Agency (ECHA) 'Guidance on requirements for substances in articles' posted at this URL: <https://echa.europa.eu/guidance-documents/guidance-on-reach>

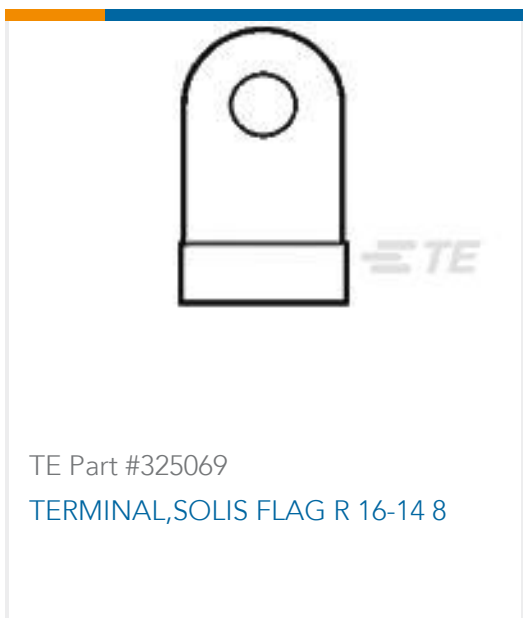
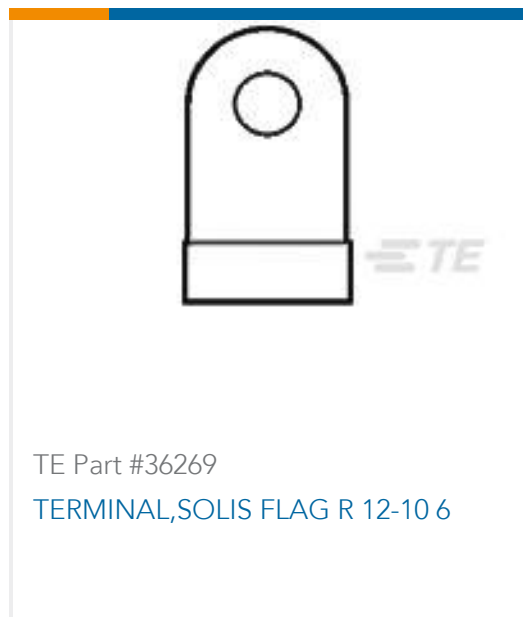
## Compatible Parts



## Also in the Series | Corcom SRB



## Customers Also Bought





## Documents

### Product Drawings

[20SRBS1-X=F8433](#)

English

---

### CAD Files

[3D PDF](#)

3D

Customer View Model

[ENG\\_CVM\\_CVM\\_6-1609152-0\\_A.2d\\_dxf.zip](#)

English

Customer View Model

[ENG\\_CVM\\_CVM\\_6-1609152-0\\_A.3d\\_igs.zip](#)

English

Customer View Model

[ENG\\_CVM\\_CVM\\_6-1609152-0\\_A.3d\\_stp.zip](#)

English

By downloading the CAD file I accept and agree to the [Terms and Conditions](#) of use.

---

### Datasheets & Catalog Pages

[1654001\\_CORCOM\\_PRODUCT\\_GUIDE](#)

English

[Corcom 20SRB Series Flyer](#)

English

[Corcom Combined Selector Charts](#)

English