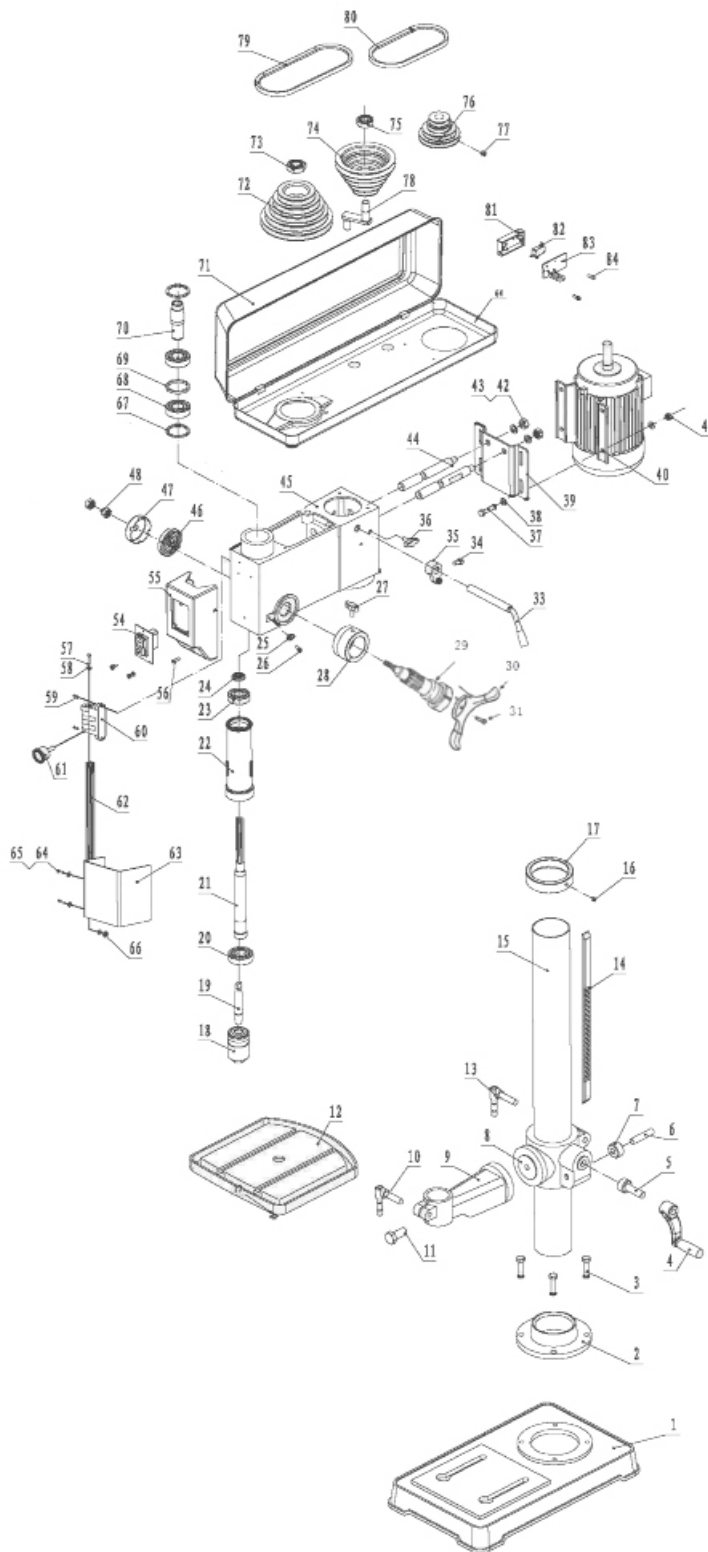




Parts Information:
**Pillar Drill Bench 16-Speed 1050mm Height
230V
Model No: PDM125B.V2**



NOTE: It is our policy to continually improve products and as such we reserve the right to alter data, specifications and component parts without prior notice.

IMPORTANT: No liability is accepted for incorrect use of product.

WARRANTY: Guarantee is 12 months from purchase date, proof of which will be required for any claim.

Sealey Group, Kempson Way, Suffolk Business Park, Bury St Edmunds, Suffolk. IP32 7AR



01284 757500



01284 703534



sales@sealey.co.uk



www.sealey.co.uk



Parts Information:
**Pillar Drill Bench 16-Speed 1050mm Height
230V**
Model No: PDM125B.V2

Item	Part No.	Description
1	PDM125B.V2-01	Base
2	PDM125B.V2-02	Support Column
3	SS1040.S	Hex Head Set Screw M10x40mm Single
4	PDM125B.V2-04	Table Crank
5	PDM125B.V2-05	Elevation Worm
6	PDM125B.V2-06	Pin for Gear
7	PDM125B.V2-07	Helical Gear
8	PDM125B.V2-08	Table Support w/ Indicator
9	PDM125B.V2-09	Table Arm w/ Scale
10	PDM125B.V2-10	Table Clamp
11	PDM125B.V2-11	Screw
12	PDM125B.V2-12	Table
13	PDM125B.V2-13	Locking Handle
14	PDM125B.V2-14	Rack
15	PDM125B.V2-15	Column Tube
16	GSM610.S	Grub Screw M6x10 (Single)
17	PDM125B.V2-17	Column Collar
18	PDM125B.V2-18	Chuck
19	PDM125B.V2-19	Arbor
20	B/6204-2RS	Bearing 6204-2RS
21	PDM125B.V2-21	Spindle
22	PDM125B.V2-22	Quill Tube
23	B/6201-2RS	Bearing 6201-2RS
24	PDM125B.V2-24	Lock Nut
25	PDM125B.V2-25	Pointer
26	PDM125B.V2-26	Pan Head Screw
27	PDM125B.V2-27	Depth Screw Lock
28	PDM125B.V2-28	Ring Depth Stop w/ Scale
29	PDM125B.V2-29	Hub
30	PDM125B.V2-30	Handle
31	SCB820.SB	Socket Head Cap Screw M8x20 Black
33	PDM125B.V2-33	Tensioning handle
34	SCB815.SB	Socket End Cap Screw M8x15 Black
35	PDM125B.V2-35	Adjusting Lever
36	PDM125B.V2-36	Motor Adjusting Knob
37	SS825.SB	Hex Head Set Screw M8x25mm Single Black
38	FWM8.SB	Flat Washer M8 Black (Single)
39	PDM125B.V2-39	Motor Mount
40	PDM125B.V2-40	Motor

Item	Part No.	Description
41	SN8.SB	Steel Nut M8 Black (Single)
42	SN8.SB	Steel Nut M8 Black (Single)
43	SWM8.SB	Spring Washer M8 Black (Single)
44	PDM125B.V2-44	Motor Bracket Support
45	PDM125B.V2-45	Head w/ Pointer and Trim
46	PDM125B.V2-46	Torsion Spring
47	PDM125B.V2-47	Spring Cap
48	PDM125B.V2-48	Spring Cap Nut
54	PDM125B.V2-54	Switch
55	PDM125B.V2-55	Switch Box
56	MSP58.SB	Machine Screw Pan Head Phillips M5x8mm Black
57	PDM125B.V2-57	Hex Screw
58	PDM125B.V2-58	Big Washer
59	PDM125B.V2-59	Pan Head Screw
60	PDM125B.V2-60	Micro Switch Assembly
61	PDM125B.V2-61	Lock Button
62	PDM125B.V2-62	Chuck Guard Rod (300mm)
63	PDM125B.V2-63	Chuck Guard
64	PDM125B.V2-64	Washer
65	PDM125B.V2-65	Pan Head Screw
66	PDM125B.V2-66	Self-locking Nut
67	PDM125B.V2-67	Retaining Ring
68	B/6201-2RS	Bearing 6201-2RS
69	PDM125B.V2-69	Bearing Spacer
70	PDM125B.V2-70	Pulley Insert
71	PDM125B.V2-71	Pulley Guard
72	PDM125B.V2-72	Spindle Pulley
73	PDM125B.V2-73	Pulley Nut
74	PDM125B.V2-74	Center Pulley
75	B/6202ZZ	Bearing 6202ZZ
76	PDM125B.V2-76	Motor Pulley
77	GSM815.S	Grub Screw M8x15 (Single)
78	PDM125B.V2-78	Idler Pivot
79	PDM125B.V2-79	V-Belt (Id-630) M25
80	PDM125B.V2-80	V-belt (Id-650) M26
81	PDM125B.V2-81	Micro Switch Cover
82	PDM125B.V2-82	Micro Switch
83	PDM125B.V2-83	Micro Switch Cover
84	PDM125B.V2-84	Self-tapping Screw

NOTE: It is our policy to continually improve products and as such we reserve the right to alter data, specifications and component parts without prior notice.

IMPORTANT: No liability is accepted for incorrect use of product.

WARRANTY: Guarantee is 12 months from purchase date, proof of which will be required for any claim.

Sealey Group, Kempson Way, Suffolk Business Park, Bury St Edmunds, Suffolk. IP32 7AR



01284 757500



01284 703534



sales@sealey.co.uk



www.sealey.co.uk