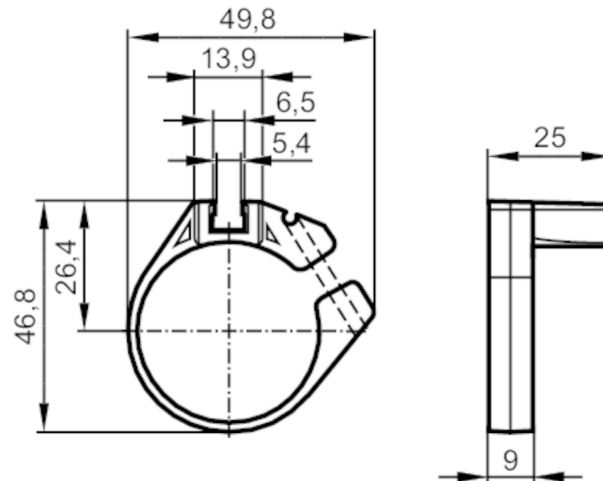


E12017



Clean-line cylinder mounting clamp for cylinder sensors

CLAMP FOR CLEAN LINE CYL 32/36



Application

Design for types MKT

Operating conditions

Ambient temperature [°C] 0...50

Mechanical data

Weight [g] 11.5

Materials POM; fixture: aluminium; screw: stainless steel

Tightening torque [Nm] 0.5; (Mounting screw)

Clamping range [mm] 35...36

Piston diameter [mm] 32

Accessories

Accessories (supplied) socket head screws: 1 x SW2,5

Remarks

Pack quantity 1 pcs.

Diagrams and graphs

Installation

