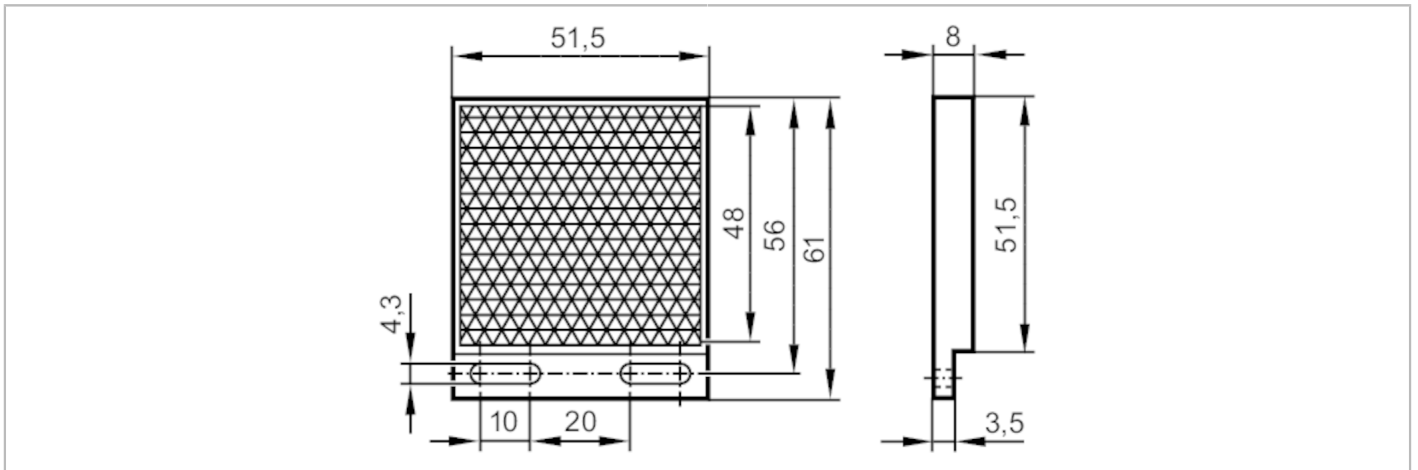


E21065



Reflector for retro-reflective sensors

REFLECTOR TS-50X50/150°C



Application

Design rectangular, for red light and infrared light retro-reflective sensors

Operating conditions

Ambient temperature [°C] -10...150

Mechanical data

Weight [g] 16.3

Dimensions [mm] 61 x 52 x 8

Materials plastics; aluminium

Remarks

Pack quantity 1 pcs.