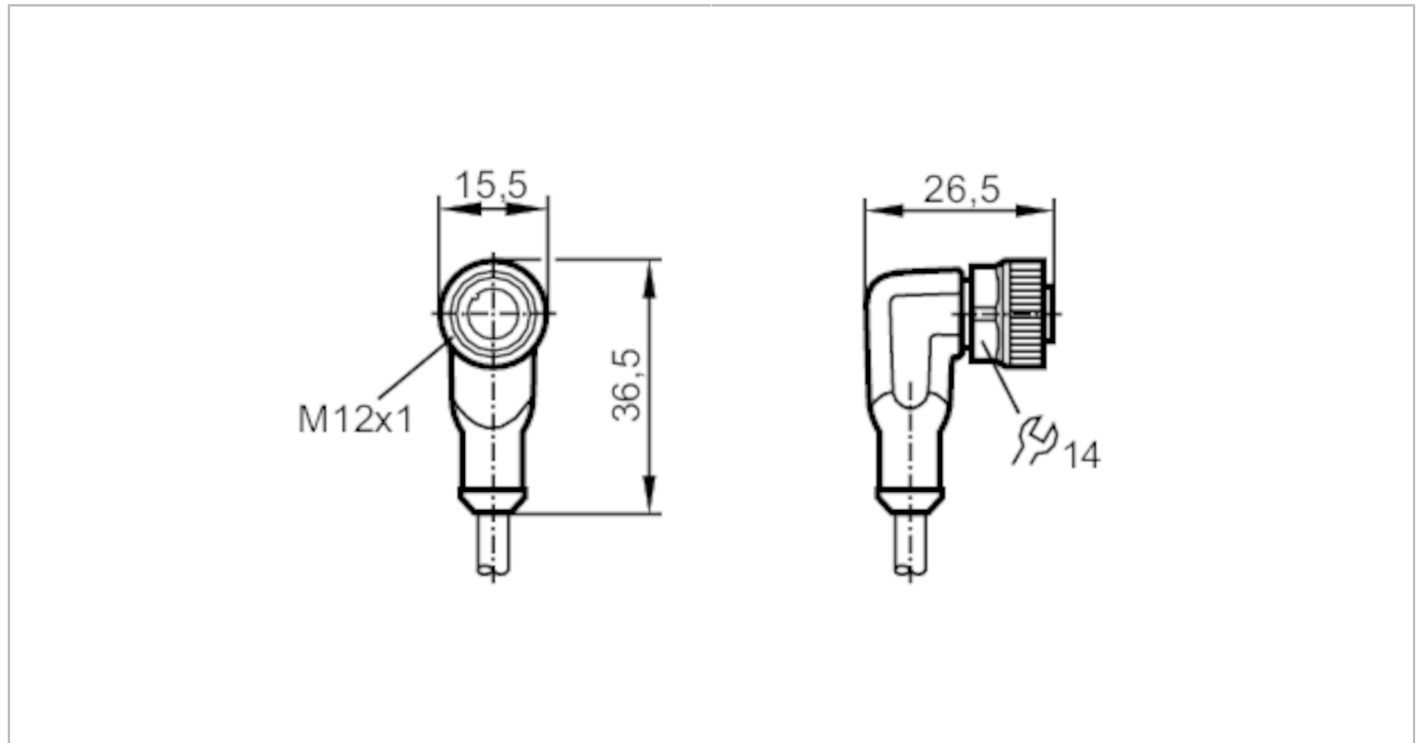


# EVC547



## Connecting cable with socket

ADOAH050MSS0002K05



| Application                          |  |
|--------------------------------------|--|
| Special feature                      | Free from silicone; Halogen-free; Gold-plated contacts; Screened cable; Drag chain suitability |
| Free from silicone                   | yes  |
| Electrical data                      |  |
| Operating voltage [V]                | < 30 AC / < 36 DC  |
| Protection class                     | III  |
| Max. current load total [A]          | 4; (cULus: 3)  |
| Operating conditions                 |  |
| Ambient temperature [°C]             | -25...90   |
| Note on ambient temperature          | cULus: ...75 °C  |
| Ambient temperature (moving) [°C]    | -25...90   |
| Note on ambient temperature (moving) | cULus: ...75 °C  |
| Protection                           | IP 65; IP 67   |

# EVC547



## Connecting cable with socket

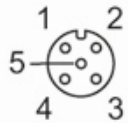
ADOAH050MSS0002K05

| Mechanical data        |                                   |  |
|------------------------|-----------------------------------|--|
| Weight [g]             | 98.2                              |  |
| Dimensions [mm]        | 26.5 x 15.5 x 36.5                |  |
| Materials              | housing: TPU orange; Sealing: FKM |  |
| Material nut           | brass, nickel-plated              |  |
| Drag chain suitability | yes                               |  |
| Drag chain suitability | bending radius for flexible use   | min. 10 x cable diameter   |
|                        | travel speed                      | max. 3.3 m/s for a horizontal travel length of 5 m and max. acceleration of 5 m/s <sup>2</sup> |
|                        | bending cycles                    | ≥ 2 Mio.   |
|                        | torsional strain                  | ± 180 °/m  |
|                        |                                   |  |

| Remarks       |        |
|---------------|--------|
| Pack quantity | 1 pcs. |

| Electrical connection   |  |
|---|--|
| Cable: 2 m, PUR, Halogen-free, black, Ø 4.9 mm, shielded; 5 x 0.25 mm <sup>2</sup> (32 x Ø 0.1 mm ) |  |

| Electrical connection - socket   |  |
|--|--|
| Connector: 1 x M12, angled; Locking: brass, nickel-plated; Contacts: gold-plated; Tightening torque: 0.6...1.5 Nm; Shielded connection cable: screen connected |  |

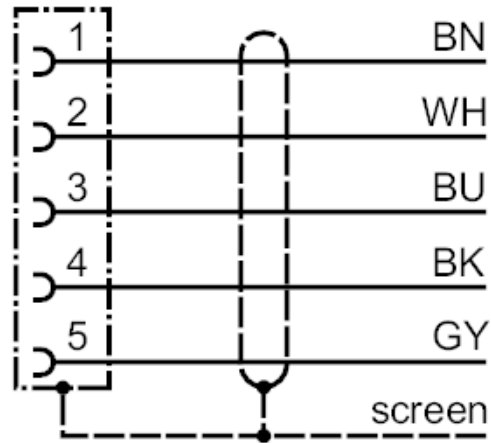




## Connecting cable with socket

ADOAH050MSS0002K05

### Connection

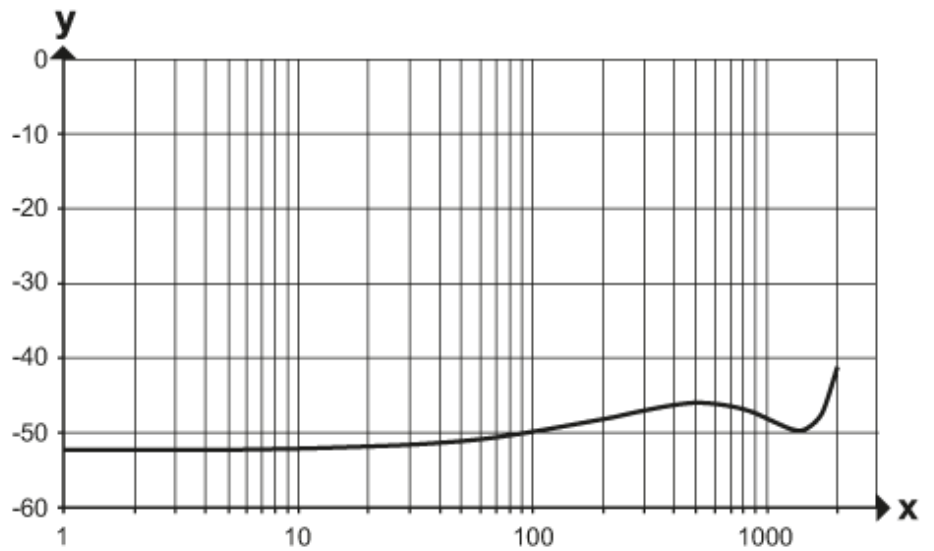


Core colours :

|      |       |
|------|-------|
| BK = | black |
| BN = | brown |
| BU = | blue  |
| GY = | grey  |
| WH = | white |

### Diagrams and graphs

Shielding characteristics



x Frequency (MHz)  
 y Shielding characteristics (dB)  
 according to DIN EN 60512-23-3