

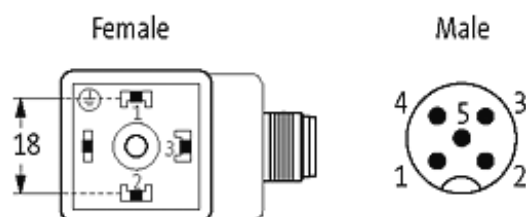
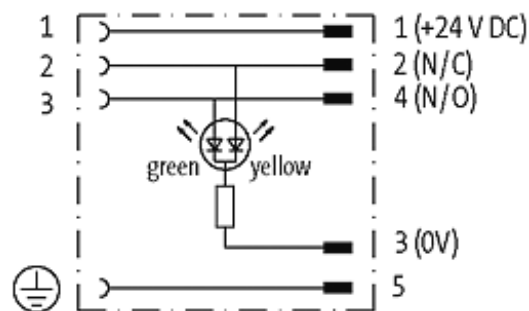
M12 ADAPTOR ON REAR OF MSUD VALVE PLUG FORM A 18MM

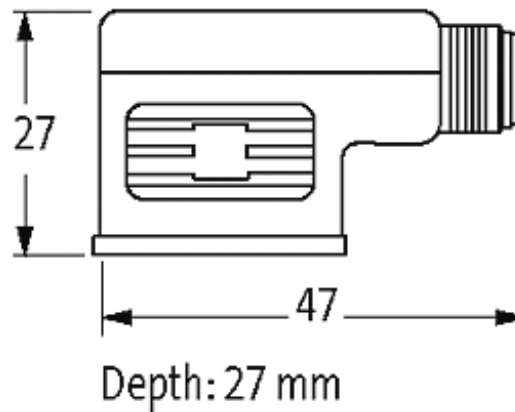
Form A (18 mm) – M12, connector at the rear
for pressure switches
LED (yellow/green)
5-pole

Plastic housings with good resistance against chemicals and oils. The resistance to aggressive media should be individually tested for your application. Further details on request.

[Link to Product](#)

Illustration





Product may differ from Image

Approvals



Form

41441

Technical Data

Operating voltage	24 V DC
Operating current per contact	max. 4 A
Locking of ports	M3 (recommended torque 0.4 Nm)
Protection	IP67 inserted and tightened (EN 60529)

General data

Temperature range	-25...+90 °C
-------------------	--------------

Commercial data

country of origin	CZ
customs tariff number	85366990
minimum order quantity	1