

## Features

- 1-channel
- Field mount module
- M20 x 1.5 thread
- Stainless steel housing
- Discharge current 10 kA
- 500 V isolation from earth
- Suitable for hazardous area

## Function

This Surge Protection Barrier limits induced transients of different origin (e. g. lightning stroke, switching impulse, etc.). This is achieved by diverting the transient current to ground and limiting the signal line voltage to a safe level for the duration of the surge.

This barrier provides 85 V line-to-line and 500 V line-to-ground clamping voltage for the protected instruments. It also protects instruments that have less than 500 V isolation-to-ground.

It is installed in an available conduit or cable gland opening like those found on most process transmitters.

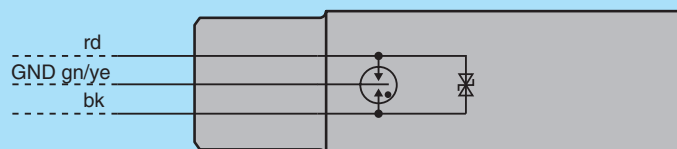
For additional information, refer to the manual and [www.pepperl-fuchs.com](http://www.pepperl-fuchs.com).

**Note:** Surge Protection Barriers must always be connected to a solid and effective ground and be at the same equipotential level as the instrument it is protecting. The ground system must comply with all applicable regulations.

## Assembly



## Connection

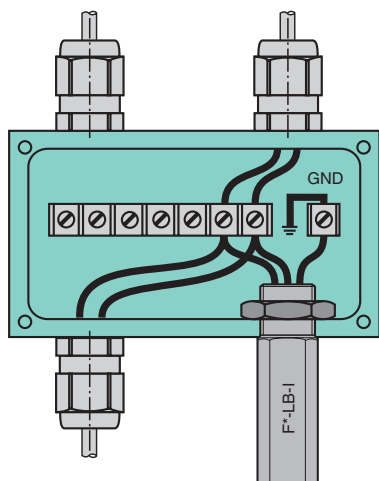


<b>Supply</b>		
Rated voltage	$U_n$	$\leq 48\text{ V}$
Rated current	$I_n$	$\leq 250\text{ mA}$
Leakage current		$\leq 5\text{ }\mu\text{A}$
On-state voltage		$\leq 85\text{ V}$
Ground insulation		$\geq 500\text{ V}$ breakdown voltage
<b>Conformity</b>		
Degree of protection		IEC 60529
<b>Ambient conditions</b>		
Ambient temperature		-30 ... 60 °C (-22 ... 140 °F) for Ex application, please observe EC-Type Examination Certificate
<b>Mechanical specifications</b>		
Housing material		Stainless steel 1.4401 (AISI 316) surface all over polished
Degree of protection		IP20
Cable		
Length	L	0.4 m
Mass		approx. 200 g
Dimensions		AF22 x 77 mm (0.9 x 3 in)
Mounting		M20 x 1.5 thread
<b>Data for application in connection with Ex-areas</b>		
EC-Type Examination Certificate		PTB 00 ATEX 2175 , for additional certificates see <a href="http://www.pepperl-fuchs.com">www.pepperl-fuchs.com</a>
Group, category, type of protection, temperature class		$\text{Ex}$ II 2G EEx ia IIC T6
Voltage	$U_i$	50 V
Type of protection [EEx ia and EEx ib]		
Maximum leakage current		10 kA line to ground (common), 5 kA line to line (differential) in accordance to IEC 60-2
Nominal response time		
Symmetrical		1 ns
Asymmetric		100 ns
Bandwidth		
		$\geq 40\text{ kHz}$
Directive conformity		
Directive 94/9/EC		EN 60079-0:2009, EN 60079-11:2007
<b>International approvals</b>		
CSA approval		
Control drawing		116-0187 (cCSAus)
<b>General information</b>		
Supplementary information		Statement of Conformity, Declaration of Conformity, Attestation of Conformity and instructions have to be observed where applicable. For information see <a href="http://www.pepperl-fuchs.com">www.pepperl-fuchs.com</a> .

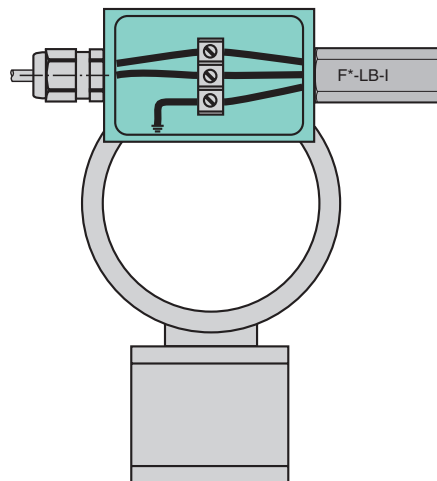
### Additional information

#### Installation examples

Terminal box



Transmitter



Release date 2012-01-04 15:59 Date of issue 2015-02-16 098916\_eng.xml

Refer to "General Notes Relating to Pepperl+Fuchs Product Information".

Pepperl+Fuchs Group  
www.pepperl-fuchs.com

USA: +1 330 486 0002  
pa-info@us.pepperl-fuchs.com

Germany: +49 621 776 2222  
pa-info@de.pepperl-fuchs.com

Singapore: +65 6779 9091  
pa-info@sg.pepperl-fuchs.com