



DIAZED FUSE LINK 500V TIME-LAG TNDZ SERIES
SIZE DII, THREAD E16, 10A

Figure similar

Model		
product brand name		SENTRON
Product designation		DIAZED fuse
Design of the product		For cable and line protection
Design of the fuse link		DIAZED fuse link
General technical data		
Tripping characteristic class		time-lag (T)
Size of fuse system / acc. to DIN EN 60269-1		NDz
Operating class of the fuse link		gG
circuit-breaker / Design		5SA2
Protection class		
Protection class IP		IP20, with connected conductors
Switching capacity		
Switching capacity current		
<ul style="list-style-type: none"> • for DC / acc. to IEC 60947-2 / Rated value 	kA	1.6
<ul style="list-style-type: none"> • acc. to IEC 60947-2 / Rated value 	kA	40
Dissipation		
Active power loss		
<ul style="list-style-type: none"> • for rated value of the current / with AC / in hot operating state / per pole 	W	1.4
Electricity		
rated current I_n / IEC, DIN/VDE / at 40 Cel	A	9.5
Current / with AC / Rated value	A	10

Appearance

Color coding of the fuse link red

Product details

Product description Using screw adapter or adapter sleeves

Mechanical Design

mounting position Any, preferably vertical

Environmental conditions

Ambient temperature

- | | | |
|-------------------------|----|---------------------------|
| • minimum | °C | -5 |
| • maximum | °C | 40 |
| • during storage / Note | | Air humidity 90% at 20 °C |

General Product Approval

Declaration of Conformity

other



[Environmental
Confirmations](#)

Further information

Information- and Downloadcenter (Catalogs, Brochures,...)

<http://www.siemens.com/lowvoltage/catalogs>

Industry Mall (Online ordering system)

<https://eb.automation.siemens.com/mall/en/WW/Catalog/Product/5SA251>

Service&Support (Manuals, Certificates, Characteristics, FAQs,...)

<http://support.automation.siemens.com/WW/view/en/5SA251/all>

Image database (product images, 2D dimension drawings, 3D models, device circuit diagrams, ...)

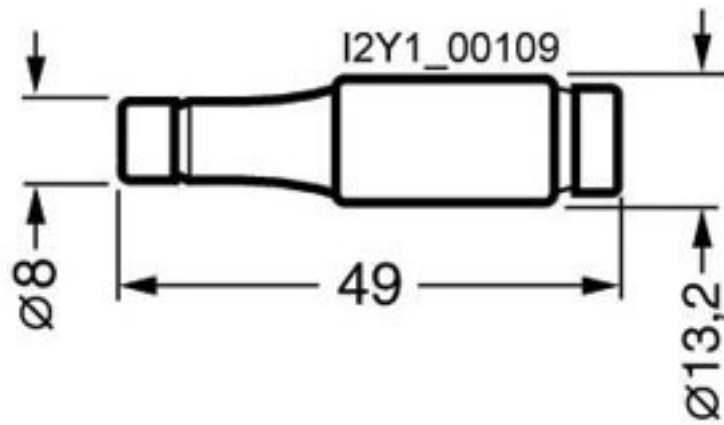
http://www.automation.siemens.com/bilddb/cax_en.aspx?mlfb=5SA251

CAX-Online-Generator

<http://www.siemens.com/cax>

Tender specifications

<http://ausschreibungstexte.siemens.com/tiplv>



last modified:

11.03.2015