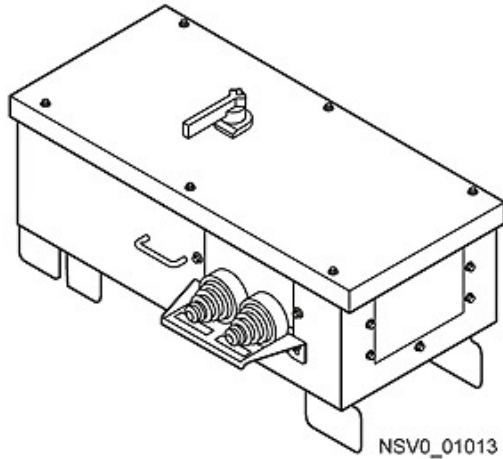


BD2-AK04/FS250BS-3 TAP-OFF UNIT 225A / 1X 3  
POLE WITH BS FUSE SWITCH



| Model  |                 |   |
|--|-----------------|---|
| Product designation  |                 | tap-off unit for BD2 busbar trunking system |
| Protection class   |                 |   |
| Protection class IP  |                 | IP54  |
| Main circuit   |                 |   |
| <b>Operating frequency / Rated value</b>                     |                 |   |
| • minimum  | Hz              | 50  |
| • maximum  | Hz              | 60  |
| <b>Operating voltage / with AC</b>                           |                 |   |
| • at 50 Hz / Rated value / maximum                           | V               | 400   |
| • at 60 Hz / Rated value / maximum                           | V               | 400   |
| <b>Operating current</b>                                     |                 |   |
| • for circuit 1 / with AC / at 50 Hz / Rated value / maximum | A               | 225   |
| • for circuit 1 / with AC / at 60 Hz / Rated value / maximum | A               | 225   |
| Connections  |                 |   |
| Connectable conductor cross-section / in the outgoing unit   |                 |   |
| • minimum  | mm <sup>2</sup> | 6   |
| • maximum  | mm <sup>2</sup> | 150   |
| Tap-off points   |                 |   |
| Outgoing unit version  |                 | cable entry                                 |

|   |  |                             |
|---|--|-----------------------------|
| Design of short-circuit and overloading protection / in the outgoing unit |  | 3-pole 100 A NF fuse-switch |
| Size of the outgoing feeder   |  | 04                          |
| Number of poles / of the outgoing feeder                                  |  | 5                           |

#### Mechanical Design

|                                       |    |     |
|---------------------------------------|----|-----|
| Height                                | mm | 336 |
| Width                                 | mm | 494 |
| Length                                | mm | 725 |
| Product component / Locking mechanism |    | Yes |

#### General Product Approval



#### Further information

**Information- and Downloadcenter (Catalogs, Brochures,...)**

<http://www.siemens.com/lowvoltage/catalogs>

**Industry Mall (Online ordering system)**

<https://eb.automation.siemens.com/mall/en/WW/Catalog/Product/BVP:610411>

**Service&Support (Manuals, Certificates, Characteristics, FAQs,...)**

<http://support.automation.siemens.com/WW/view/en/BVP:610411/all>

**Image database (product images, 2D dimension drawings, 3D models, device circuit diagrams, ...)**

[http://www.automation.siemens.com/bilddb/cax\\_en.aspx?mlfb=BVP:610411](http://www.automation.siemens.com/bilddb/cax_en.aspx?mlfb=BVP:610411)

**CAX-Online-Generator**

<http://www.siemens.com/cax>

**Tender specifications**

<http://ausschreibungstexte.siemens.com/tiplv>

last modified:

11.03.2015