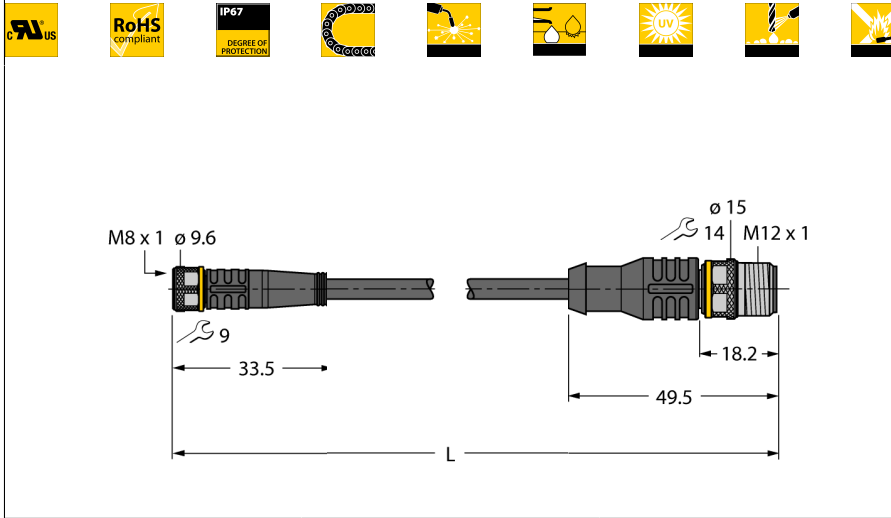


**Actuator/sensor cable, PUR
extension cable
PKG4M-0,3-RSC4.4T/TXL**

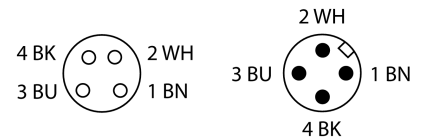
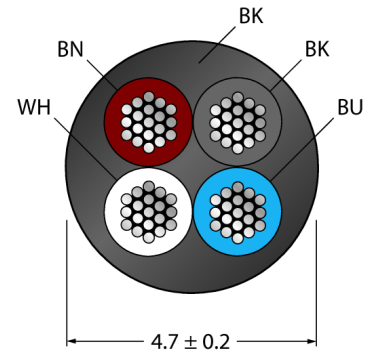


- Female M8, straight, 4-pin
- Male M12, straight, 4-pin
- Sheath material: PUR
- Sheath color: black
- Qualified for drag chain use
- Resistant to weld splatter
- Resistant to chemicals, UV radiation and oils
- Flame retardant
- Free from halogen, silicone, PVC and LABS
- Particularly resistant to abrasion
- Approval: cULus
- RoHS conform
- Protection class IP67
- Cable length: 0.3 m

Type designation PKG4M-0,3-RSC4.4T/TXL
Ident no. 6627046

Connector A side
Number of pins 4
Contacts Brass, CuZn, Gold-plated
Contact carriers Plastic, TPU, Black
Grip Plastic, TPU, Black
Coupling nut/screw Brass, CuZn, Nickel-plated
Seal Plastic, FPM/FKM
Protection class IP67, A + B side screwed together
Mechanical lifespan > 100 Mating cycles
Pollution degree 3
Tightening torque 0.5 ... 0.6 Nm
(observe max. torque of counter piece!)

Cable Cross-section



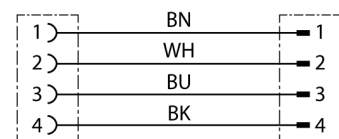
Connector B side
Number of pins 4 pins
Contacts brass, CuZn, Gold-plated
Contact carriers Plastic, TPU, Black
Grip plastic, TPU, black
Coupling nut/screw Brass, CuZn, Nickel-plated
Protection class IP67, only in screwed state
Mechanical lifespan > 100 Mating cycles
Pollution degree 3
Tightening torque 0.8 ... 1 Nm
(observe max. torque of counter piece!)

General data
Cable diameter 4.7 ± 0.20mm
Cable length 0.3 m
Cable quality PUR
Cable color Black
Core insulation PP
Core colors BN, WH, BU, BK
Core cross-section 4x0.34mm²
Arrangement of strands 42x0.1 mm

General information

Drawing shows design status including hexagon coupling nut
(Start of production CW21/2016).

Circuit Diagram



Electrical features at +20 °C
Current 4 A
Rated voltage 30 V
Insulation resistance > 30.5 MΩ/km
Test voltage 2000 V
Forward resistance max. 57 Ω/km

**Actuator/sensor cable, PUR
extension cable
PKG4M-0,3-RSC4.4T/TXL**

TURCK

Industrial
Automation

Mechanical and chemical properties

Max. tensile strength (static)	≤ 50 N/mm ²
Max. tensile strength (dynamic)	≤ 20 N/mm ²
Bending cycles	> 5 mil.
Bending radius (stationary laying)	> 5 x Ø
Bending radius (flexible use)	> 10 x Ø
Admissible acceleration	max. 5 m/s ²
Admissible travel path, horizontal	5 m (at 5 m/s ²)
Admissible travel path, vertical	2 m (at 5 m/s ²)
Admissible traversing speed	3.3 m/s
Torsional stress	± 180 °/m
Ambient temperature	
Stationary	-50...+80°C
In motion	-25...+80°C
Drag chain operation	-25...+60°C

**Actuator/sensor cable, PUR
extension cable
PKG4M-0,3-RSC4.4T/TXL**

TURCK

Industrial
Automation

Accessories

Type code	Ident no.	Description	
Torque-Wrench-Set-AS	6936170	Torque wrench set; handles with adjustable torque 0.4-1.0 Nm, torque wrench for M8 (SW9), fork wrench for M12 (SW 14)	
BLANK-LABEL-FOR-CORDESETS-TEL-TXL	6936206	Label for TEL and TXL cables, length: 18 mm, height: 4 mm, material: polycarbonate (PC), color: white, halogen-free and flame-retardant	