

Customer Information Sheet

DRAWING No.: T5747

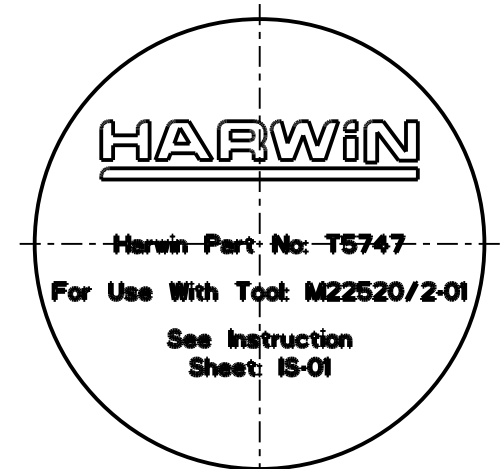
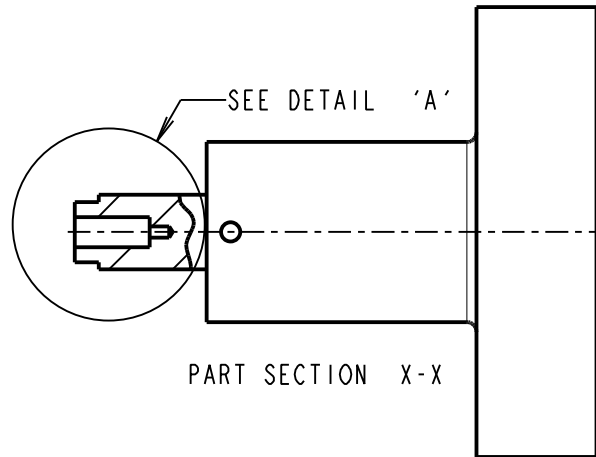
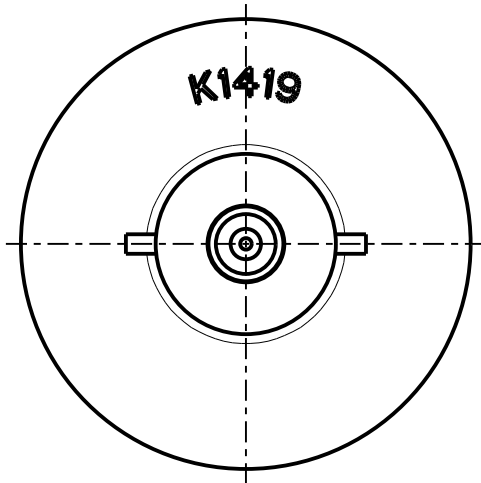
IF IN DOUBT - ASK

©

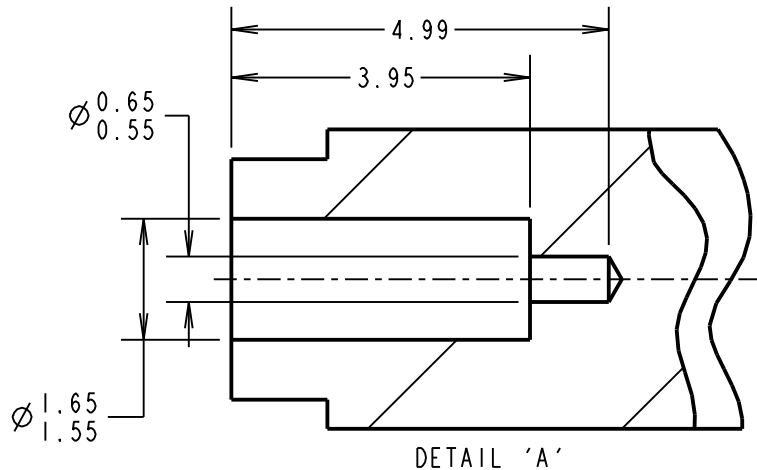
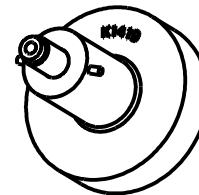
NOT TO SCALE

THIRD ANGLE PROJECTION

ALL DIMENSIONS IN mm



T5747 DATAPLATE



NOTES:

1. TO BE USED WITH HAND CRIMP TOOL M22520/2-01 AND INSTRUCTION SHEET IS-01.
2. SUITABLE FOR USE WITH M80-01100XX, M80-01300XX, M80-01900XX, M80-04000XX, M80-04100XX, M83-01100XX & M83-01300XX DATAMATE CRIMP CONTACTS.

MSP	4	28.10.15	13083
NAME	ISS.	DATE	C/NOTE
APPROVED: M. PERREN			
CHECKED: M. PLESTED			
DRAWN: W. J. BOURNE			
CUSTOMER REF.:			
ASSEMBLY DRG:			

HARWIN

www.harwin.com
technical@harwin.com

THIS DRAWING AND ANY INFORMATION OR DESCRIPTIVE MATTER SET OUT HEREON ARE CONFIDENTIAL AND COPYRIGHT PROPERTY OF THE HARWIN GROUP AND MUST NOT BE DISCLOSED, LOANED, COPIED OR USED FOR MANUFACTURING, TENDERING OR FOR ANY OTHER PURPOSE WITHOUT THEIR WRITTEN PERMISSION.

TOLERANCES

X. = ±1mm
X.X = ±0.50mm
X.XX = ±0.10mm
X.XXX = ±0.01mm
ANGLES = ±5°
UNLESS STATED

MATERIAL:

FINISH:

S/AREA:

mm²

TITLE:

CONTACT POSITIONER

DRAWING NUMBER:

T5747

SHT
2 OF 2