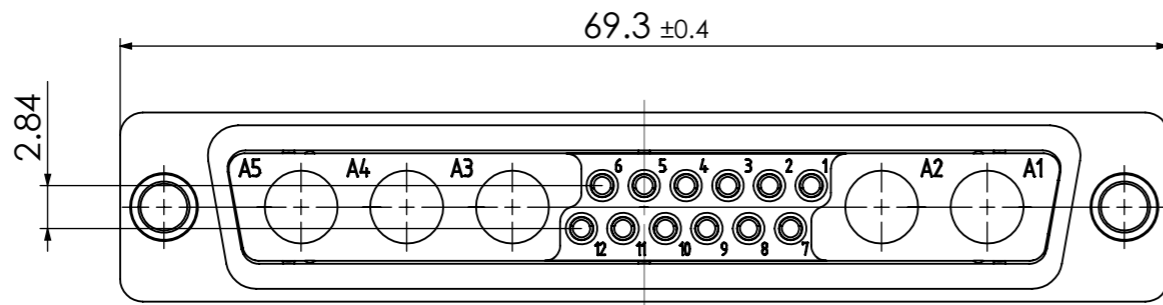
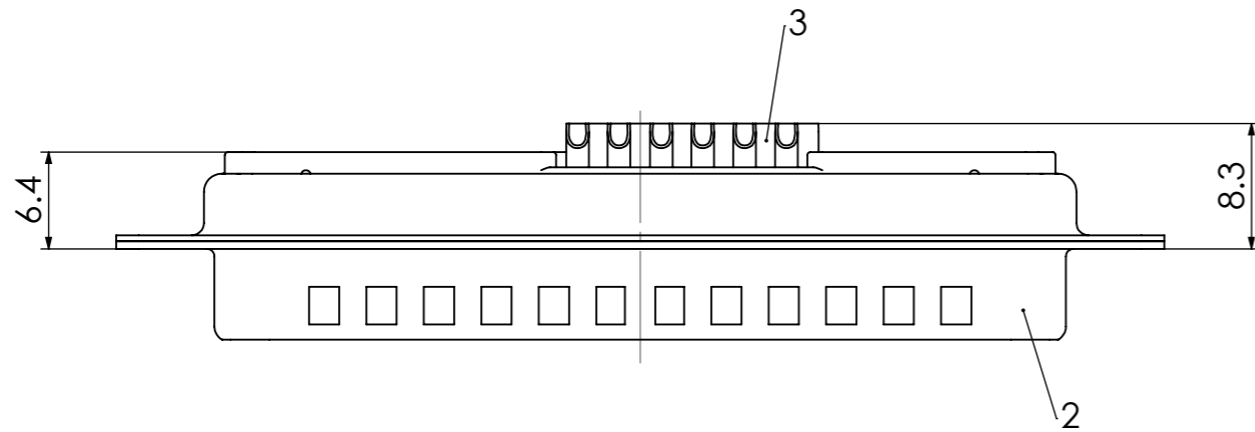
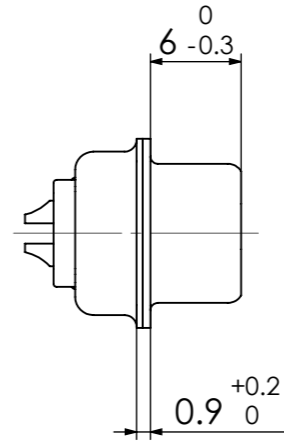
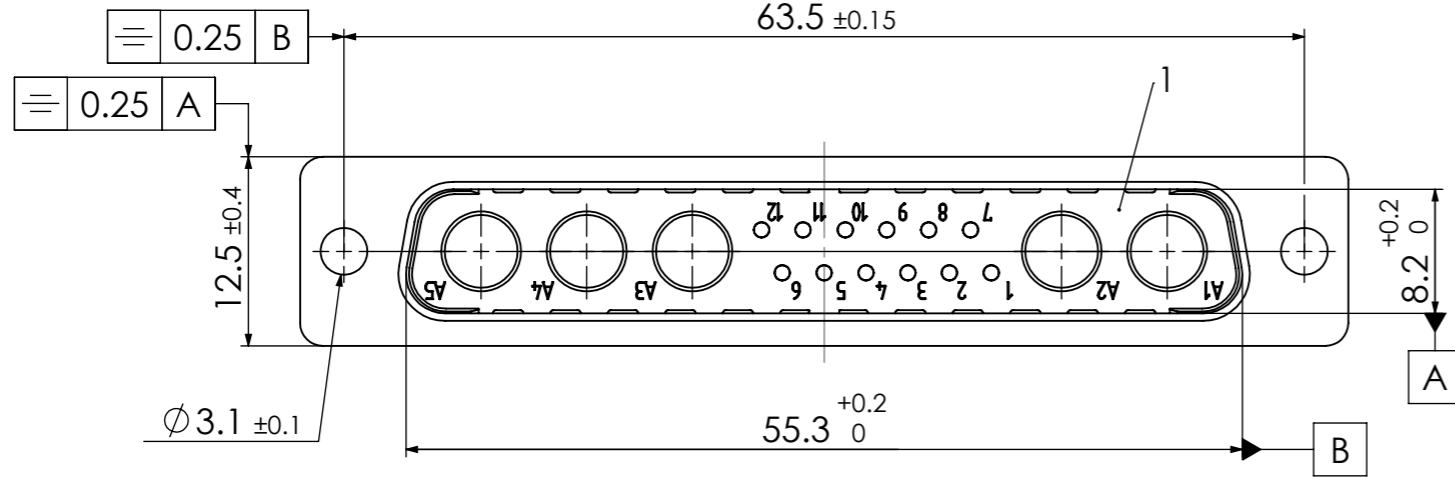


COMMENT:
 ALL RIGHTS ARE RESERVED BY US FOR THIS DRAWING. WITHOUT OUR PRIOR CONSENT,
 IT MAY NEITHER BE DUPLICATED NOR MADE AVAILABLE TO A THIRD PARTY.
 AND IT ALSO MAY NOT BE IMPROPERLY USED BY THE RECEIVER, OR A THIRD PARTY.



RoHS compliant

No.	St.	Part	Type	Description/Material	Surface plating/Colour/Class
3	12	Signal contact	P0 / Brass		AuroPur / AWG 20
2	1	Shell	Steel		tin plated
1	1	Insulator	PBT (-55°C - +130°C)		green

		Measurement without tolerance occ. to ISO 2768-m		SCALE	TITLE
				2:1	D-Sub Mixed-Layout Connector
		NAME / DATE			
		DRAWN sschref 09-04-2014			
		CHECKED sschref 09-04-2014			
		 FCT a molex company		DWG.NO.	REV.
1				FM17W5PA-K120	1
REV.	DATE	CH.-NO.	ORIGINAL: DIN A3-DRAWING AS A FILE	REPLACEMENT FOR:	PAGES 1