

# LQM18PN1R5MFHD

“#” indicates a package specification code.

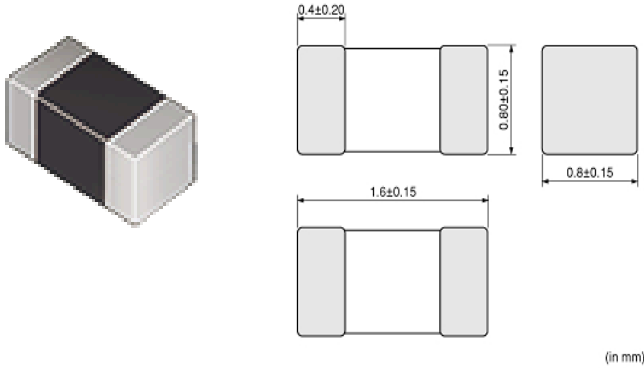
Better current bias characteristics, low DC resistance, compared to form our 0603(inch) inductors.



< List of part numbers with package codes >

LQM18PN1R5MFHB      LQM18PN1R5MFHD

## Appearance & Shape



## References

Packaging	Specifications	Standard Packing Quantity
B	Bulk(Bag)	1000
D	180mm Paper Tape	4000

Mass (typ.)	
1 piece	0.005g

## Notices

When rated current is applied to the products, inductance will be within  $\pm 30\%$  of initial inductance value range. When rated current is applied to the products, the temperature rise caused by self-generated heat shall be limited to 40°C max. Keep the temperature (ambient temperature plus self-generation of heat) under 125°C.

### Attention

- 1.This datasheet is downloaded from the website of Murata Manufacturing Co., Ltd. Therefore, it's specifications are subject to change or our products in it may be discontinued without advance notice. Please check with our sales representatives or product engineers before ordering.
- 2.This datasheet has only typical specifications because there is no space for detailed specifications. Therefore, please review our product specifications or consult the approval sheet for product specifications before ordering.

# LQM18PN1R5MFHD

“#” indicates a package specification code.



## Specifications

L size	1.6±0.15mm
W size	0.8±0.15mm
T size	0.8±0.15mm
Size code inch (mm)	0603 (1608)
Inductance	1.5μH±20%
Inductance Test Frequency	1MHz
Rated current (Isat) (Based on Inductance change)	0.4A(Max.) / 0.5A(Typ.)
Rated current (Itemp) (Based on Temperature rise)	1.1A(Max.) / 1.25A(Typ.)
Max. of DC resistance	0.213Ω
Class of magnetic shield	Ferrite Core
Self resonance frequency (min.)	80MHz
DC Resistance Intermediate Values	0.17Ω(typ.)
Operating Temperature Range	-40°C to 85°C
Series	LQM18PN_FH

### Attention

1.This datasheet is downloaded from the website of Murata Manufacturing Co., Ltd. Therefore, it's specifications are subject to change or our products in it may be discontinued without advance notice. Please check with our sales representatives or product engineers before ordering.

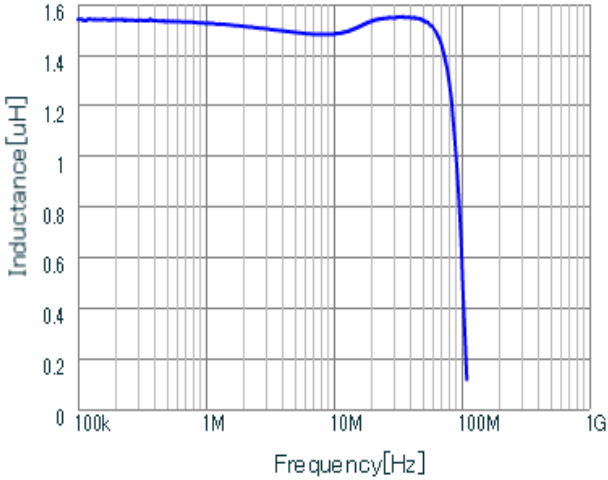
2.This datasheet has only typical specifications because there is no space for detailed specifications.

Therefore, please review our product specifications or consult the approval sheet for product specifications before ordering.

# LQM18PN1R5MFHD

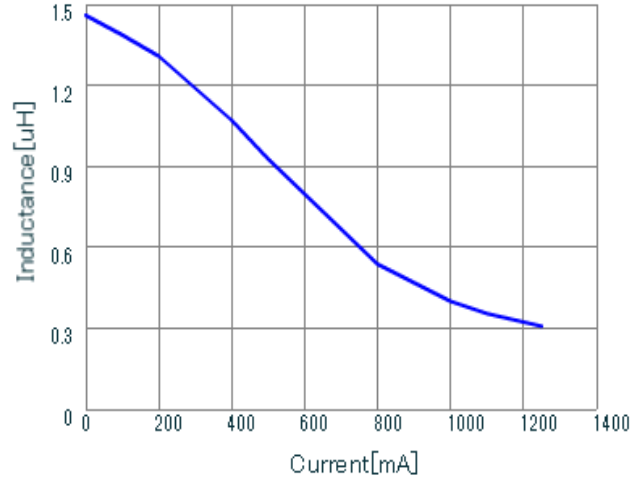
“#” indicates a package specification code.

## Characteristic Data



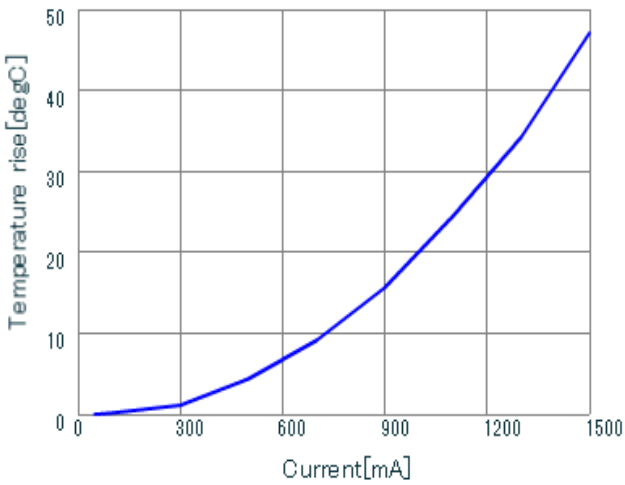
LQM18PN1R5MFH L

Inductance - Frequency Characteristics



LQM18PN1R5MFH DC-Bias, 20

Impedance - Current Characteristics



LQM18PN1R5MFH DT\_Current

Temperature Increase Characteristic

**Attention**

- 1.This datasheet is downloaded from the website of Murata Manufacturing Co., Ltd. Therefore, it's specifications are subject to change or our products in it may be discontinued without advance notice. Please check with our sales representatives or product engineers before ordering.
- 2.This datasheet has only typical specifications because there is no space for detailed specifications. Therefore, please review our product specifications or consult the approval sheet for product specifications before ordering.