

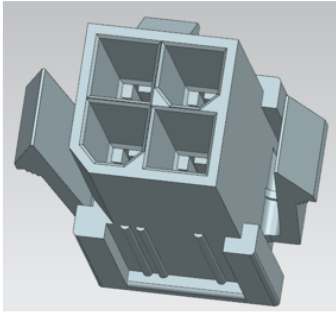


Product Change Notification

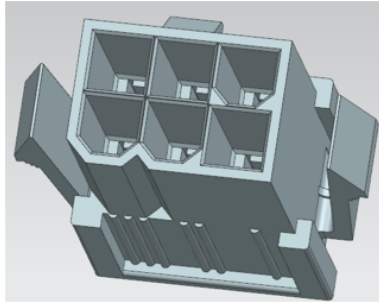
Date Issued :	November 14, 2023	PCN Number :	514515
Reason for Change :	Equipment Transfer, Production Transfer or Rearrangement		
Description of Change :	This notification is to inform about Production of the impacted part(s) in this PCN has been transferred to different location. No changes will be made to product as part of this change.		
Reason for Short Notice :	Capacity Increase		
Assessment of Change :	No change to parts - Form/Fit/Function		
Planned Implementation Date :	December 15, 2023		
Sample Availability Date:	November 15, 2023		
Internal Molex Qualification Date :	November 20, 2023		
Last date to request Samples by Customer :	November 20, 2023		
Traceability Code Markings / Date :	Date code		

Before Picture

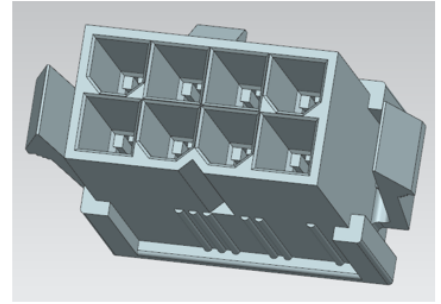
Affected Product Photos



4ckt-39012041/39012046



6ckt-39012061/39012066



8ckt-39012081/39012086

After Picture

Overview

- This PCN is to move Mini-fit 5559 4-8ckts housing manufacturing in house P2601 from outsource P2602 with add a new 16cavity mold.
- Product Impact
 - No impact to fit, form, function or packing method.
- Part Number Impact as below

Impact PNs
39012041
39012046
39012061
39012066
39012081
39012086

- Implement target: 2023/11/16

2156740051 Revision A

1

Molex Confidential Information
© 2016 Molex – All Rights Reserved. Unauthorized Reproduction/Distribution is Prohibited.



RELEASED

You may address inquires regarding this PCN by clicking on the below link
mailto:pcn_coordinator@molex.com?subject=PCN_Notification:514515
 or contact your Local Sales Engineer.

Note: While responding, please retain " PCN Notification : **PCN Notification: 514515** " in the e-mail Subject line for faster response.

[Molex, LLC](#)
 2222 Wellington Court
 Lisle, IL 60532
 TEL (800) 786-6539
www.molex.com