

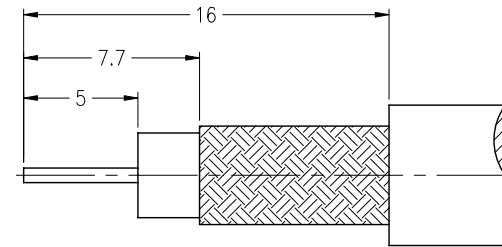
NOTES:

1. MATERIALS AND FINISHES:
 BODY - BRASS, NICKEL PLATING
 SHELL - ZINC DIECAST, NICKEL PLATING
 CONTACT - BRASS, GOLD PLATING
 INSULATOR - DELRIN, NATURAL
2. ELECTRICAL:
 A. IMPEDANCE: 50 OHM
 B. FREQUENCY RANGE: DC 0-4 GHz
 C. VSWR(RETURN LOSS): 1.3, MAX.
 D. DIELECTRIC WITHSTANDING VOLTAGE: 1500 VRMS, MIN.
3. MECHANICAL:
 A. DURABILITY: 500 CYCLES MIN.
 B. TEMPERATURE RANGE: -40°C to +85°C
4. CRIMPED FERRULE
 HEX CRIMP SIZE .255"
5. CRIMPED CONTACT PIN
 HEX CRIMP SIZE .068"

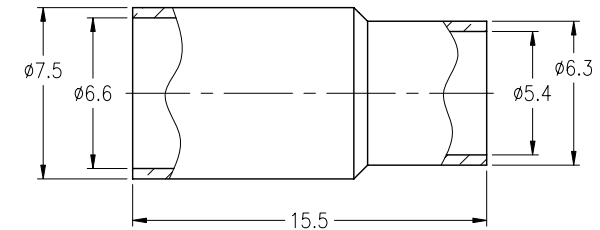
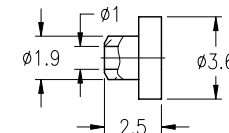
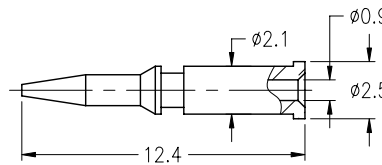
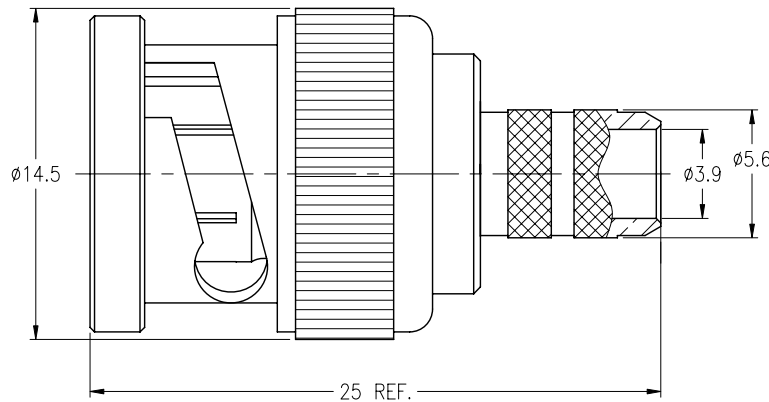
THIRD ANGLE PROJ.

REVISIONS

REV	DESCRIPTION	DATE	ECO	APPR
A	RELEASE TO MFG.	30-Aug-10		SH
D	SPRING WAS CHANGED	07-Dec-10	47967	SH



RECOMMENDED
CABLE STRIPPING DIM'S



CUSTOMER OUTLINE DRAWING
ALL OTHER SHEETS ARE FOR INTERNAL USE ONLY

UNLESS OTHERWISE SPECIFIED, DIMENSIONS ARE IN METRIC AND TOLERANCES ARE:
 <0.5mm ±0.05mm 0.5 - 6mm ±0.1mm 6 - 30mm ±0.2mm 30 - 120mm ±0.3mm ANGLES ±1°

NOTICE - These drawings, specifications, or other data (1) are, and remain the property of Amphenol Corp. (2) must be returned upon request; and (3) are confidential and not to be disclosed to any person other than those to whom they are given by Amphenol Corp. The furnishing of these drawings, specifications, or other data by Amphenol Corp., or to any other person to anyone for any purpose is not to be regarded by implication or otherwise in any manner licensing, granting rights or permitting such holder or any other person to manufacture, use or sell any product, process or design, patented or otherwise, that may in any way be related to or disclosed by said drawings, specifications, or other data.

MATERIAL	DRAWN T.DENG	DATE 08-Feb-10	TITLE BNC CRIMP PLUG (FOR 62U TEFLON CABLE)			Amphenol RF Danbury CT USA, Tainan Taiwan, Shenzhen China www.amphenolrf.com	
REFERENCE	ENGINEER C.WANG	DATE 08-Feb-10	SCALE: 3/1 SHEET 2 OF 2			DRAWING NO. B1121B1-ND3G-62T-50	
FINISH	APPROVED S.HSIEH	DATE 07-Dec-10				DWG SIZE B CODE ID 74868 REV D	
	F:\DWG\B\1121B1\62T-50\ND3G-DSZ				PART NO. 68175-11RFX		