

## SW-525 Industrial 5 Port PoE+ 10/100 Ethernet Switch

5 Port (Ports 1-4 PoE+) Unmanaged 10/100 Ethernet Switch DIN Mountable

- 5 port PoE+ 10/100 Fast Ethernet device
- Ports 1-4 PoE+ capable
- Fully compliant to IEEE 802.3af/at
- PoE Power Budget: 90W @ 70°C between all 4 PoE ports simultaneously
- Industrial temp range: -40°C to +70°C
- Redundant dual power inputs: +44V to +57V DC
- Compact design with integral DIN mount
- Allows power and data to be combined on the same Ethernet cable



Send power and data to remote CCTV cameras, PoE telephones, PoE Wifi access points, NVRs, and more



Non conducting polyamide casing with removable numbered power terminal for easy wiring



Integral DIN mount and slim design takes up minimal cabinet space

# SW-525

## Industrial 5 Port PoE+ 10/100 Ethernet Switch

90W PoE Power Budget shared between 4 Ethernet Ports

-40°C to +70°C/-40°F to +158°F temperature range

Ports 1-4 IEEE 802.3af/at compliant: deliver up to 30W to each port (backwards compatible)



Non-conducting polyamide case

Integral DIN mount with ground

Automatic detection of data transmission speed: 10 or 100 MBps

Power consumption is optimised based on the status of the link device

2k Byte maximum packet size – improves the efficiency of bulk data transfer and system performance

Easy Wire Removable screw terminal block

Dual redundant power input: +44VDC to +57VDC

### Connectors

Screw Terminals

3.5mm pitch, #22 - #14, 0.5mm<sup>2</sup>-2.5mm<sup>2</sup> pin power supply

Wire Thickness

0.150 inch, 3.81mm, 20 pins, 12+8 screw terminals, #26 - #16 AWG, 0.14mm<sup>2</sup>-1.3mm<sup>2</sup>

### Power Supply

Ports 1-4 IEEE 802.3af/at compliant: deliver up to 30W to each port (backwards compatible)

Power Consumption

4 Watts Max : 91mAmps@+44VDC/70mAmps@+57VDC

PoE Power Budget

90W @ 70°C

Power Supply input

Unregulated +44V to +57Volts DC, reverse polarity protection

Isolation

1500VRMS Magnetic isolation from Ethernet

### Environmental

Operating Temperature

-40°C to +70°C/-40°F to +158°F

Storage Temperature

-40°C to +70°C/-40°F to +158°F

Ambient Relative Humidity

5 to 95% (non-condensing)

### Magjack LED Information

Link/Activity LED

Solid green

Connection established

Flashing Green

Data communication

PoE Power LED (Ports 1-4)

Solid Yellow

PoE Power ON

Flashing Yellow

Power Warning

### Ethernet

Ethernet Port

5 x RJ45 jack, 10/100Mhz autosensing, crossover auto sensing (Auto MDIX)

Protection

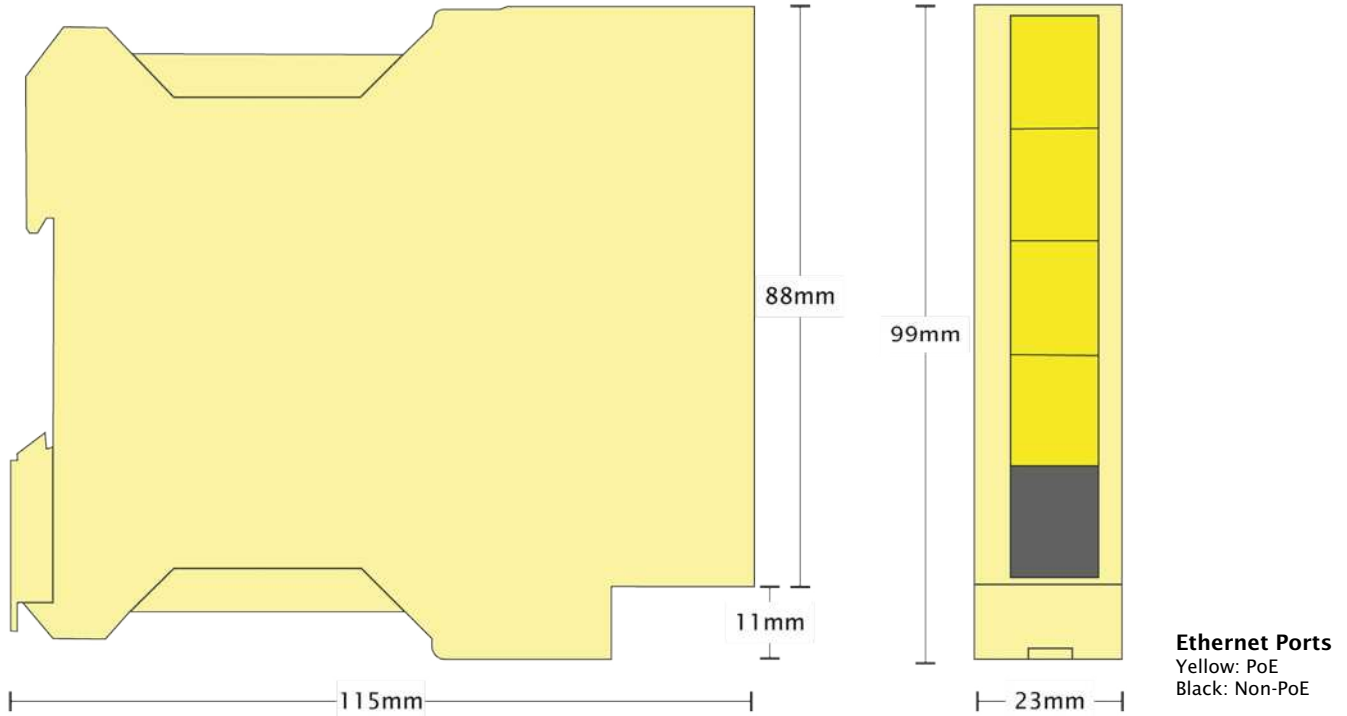
1,500 Volts magnetic isolation between ports

Housing

IP-20 rated non-conducting polyamide case

**SW-525**

**Industrial 5 Port PoE+ 10/100 Ethernet Switch**



**Ethernet Ports x4 Pin Outs**

PoE Pinout 1/2(V+) 3/6(V-) Endspan Mode A

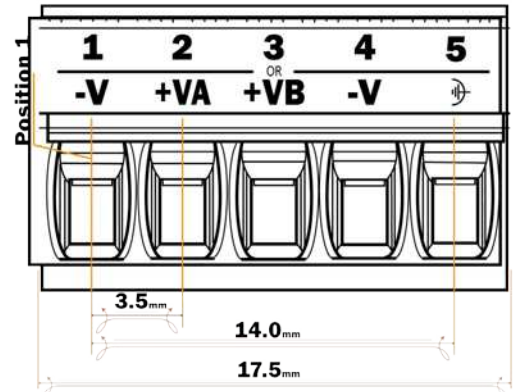
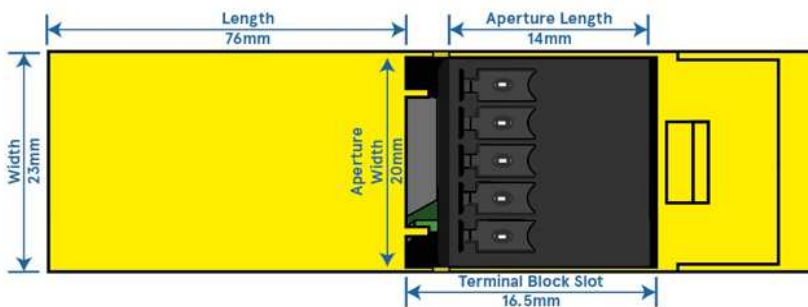
PIN	FUNCTION
1	Tx+ DC+
2	Tx- DC+
3	Rx+ DC-
4	unused
5	unused
6	Rx- DC-
7	unused
8	unused

**Power Terminal Pin Outs**

PIN	FUNCTION
1	-V
2	+VA
3	+VB
4	-V

5 position 3.5mm pitch socket compatible with Euroblock pluggable terminal block connectors

5 position 3.5mm pitch pluggable terminal block included



**Lifetime Warranty and Support:**

We can help with every aspect of your project, from getting you up and running to custom application.

## SW-525 Industrial 5 Port PoE+ 10/100 Ethernet Switch

### Product Information

Product Weight	0.124 kg, 4.37 ounces
Product Dimensions	120x100x10 mm, 4.7x3.9x0.4 inches

### Packaging Information

Packaging	Quick Start Guide, Device
Packaged Weight	0.226 kg, 7.97 ounces
Packaged Dims	160x135x49 mm, 6.3x5.3x1.9 inches
GTIN Universal Code	837324004533

### Industry Approvals

	Microsoft Certified Gold Partner, WEEE, RoHS, AEO (C-TPAT), CE, UKCA, METL Complies with UL62368-1
HTS	8517620000
ECCN	5A991.b
CAGE	8QCY6

### Warranty

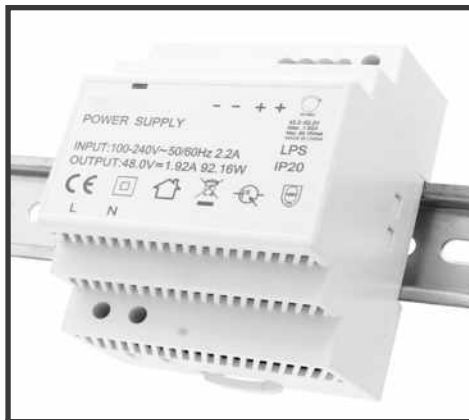
Support	Lifetime - online registration required
	Lifetime Web, Email & Phone Support from fully qualified, friendly staff who work in and alongside the Product Development Team

### Standards

OEM option	ISO9001, ISO14001
COO (Country of Origin)	Available for bulk buy OEM
Made In	GB
Customisable	Manufactured in GB by Brainboxes
	Brainboxes operate a 'Perfect Fit Custom Design' policy for volume users More info: <a href="mailto:sales@brainboxes.com">sales@brainboxes.com</a>



PW-323  
PoE Splitter



PW-301  
DIN Rail Power Supply



SW Range  
Switch products available in a range of formats and specifications.  
[www.brainboxes.com](http://www.brainboxes.com)