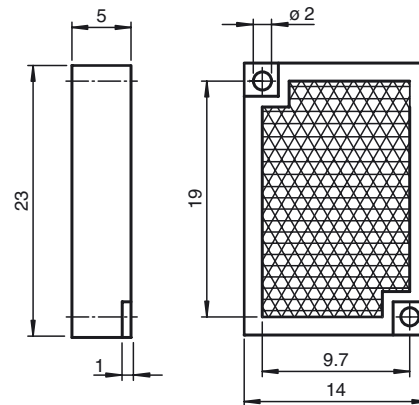




Dimensions



Model Number

REF-H23

Reflector with mounting holes

Features

- Mounting holes for simple installation

Technical data

General specifications

Construction type rectangular

Ambient conditions

Ambient temperature -20 ... 60 °C (-4 ... 140 °F)

Mechanical specifications

Material PMMA/ABS

Dimensions 23 mm x 14 mm x 5 mm

Mounting mounting holes