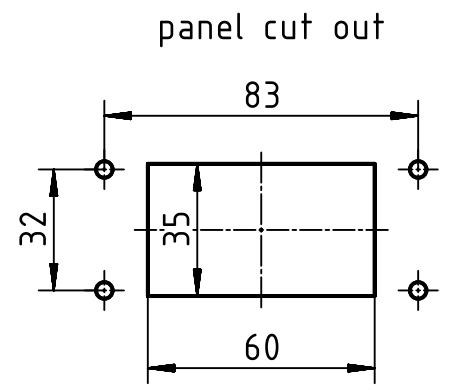
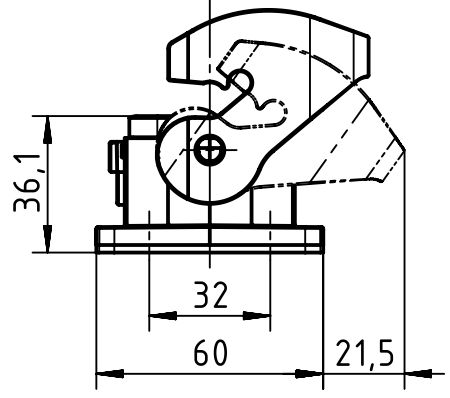
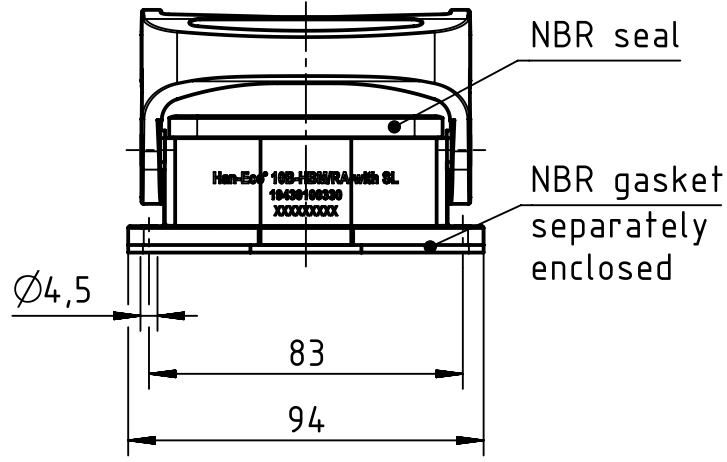
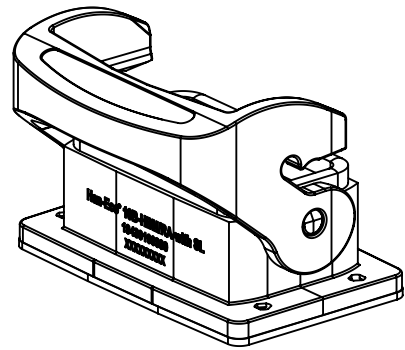
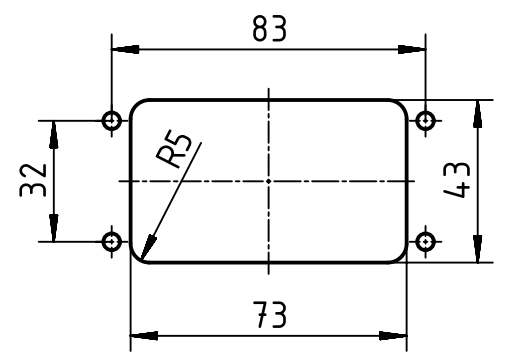
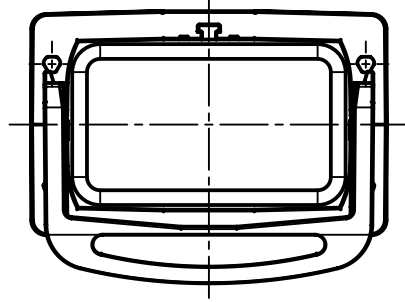


1 2 3 4 5 6

A  
B  
C  
D



panel cut out  
for assembly from  
the inner side of cabinet



	All rights reserved Department EL PD - DE HARTING Electric GmbH & Co. KG D-32339 Espelkamp	All Dimensions in mm Original Size DIN A4		Scale 1:2	Free size tol.	Ref. Sub.
		Created by ROEBEN	Inspected by SCHENK	Standardisation TIEMANNA	Date 2018-04-13	State Final Release
Title Han-Eco 10B-HBM/RA-with SL					Doc-Key / ECM-Nr. 100767893/UGD/001/A 500000132917	
Type TB				Number 19 43 010 0330		Rev. A
						Page 1/1