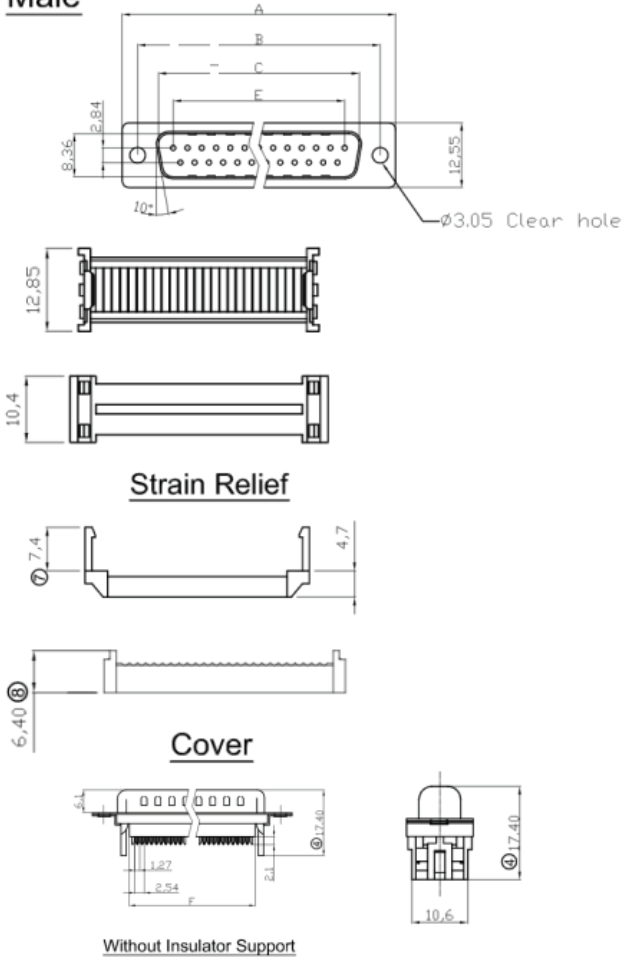
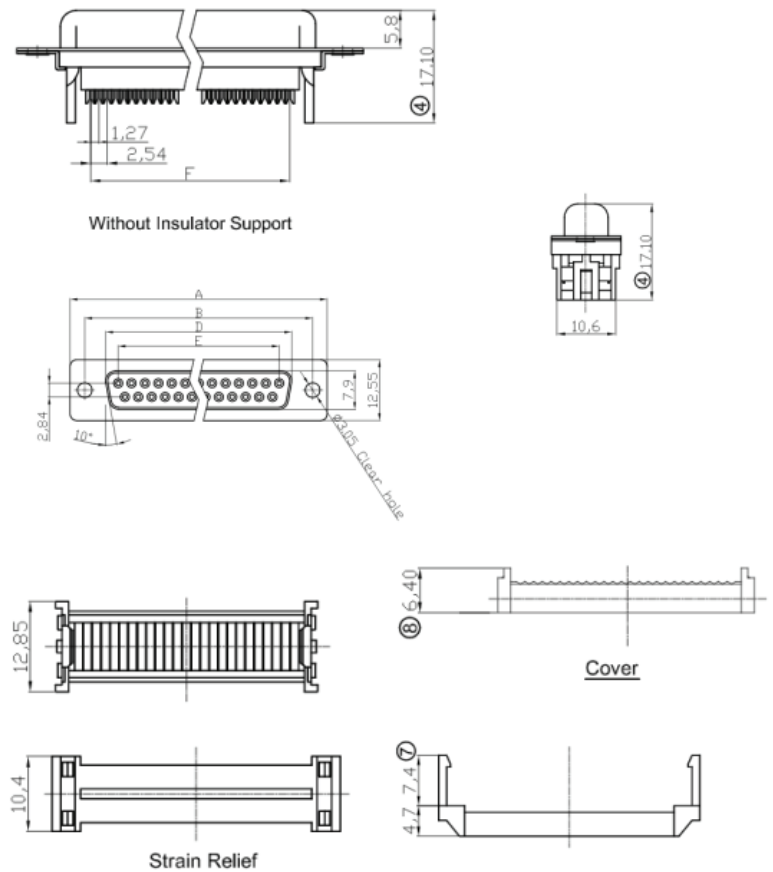


Male



Dimensions					
Positions	A	B	C	E	F
37	69.40	63.50	55.42	49.86	50.30

Female



Dimensions					
Positions	A	B	D	E	F
37	69.40	63.50	54.80	49.86	45.72

Product Specification

Material

Insulator : Glass-Filled Thermoplastic PBT, UL94V-0,Black
 Contact : Copper alloy, plating gold flash selective gold
 Shell : Steel, 100u" Tin Over 50u" min Copper

Electrical

Contact Resistance : 20 milliohms Max at 1 AMP DC.
 Insulation Resistance : 1000 megohms at 500 VDC
 Dielectric Withstanding Voltage : 1000 VAC/rms 60Hz for 1 minute
 Current Rating : 3 AMP
 Voltage Rating : 250 VAC/rms 60Hz
 Wire Spec : 28 AWG-28 AWG
 Operating Temperature: -55°C--+105°C

UL E No #E198287

RoHS compliant

Unit: mm

NOTES:

MATERIAL

1.Insulator Material:Glass-Filled Thermoplastic PBT,UL 94V-0
 2.Contact Material : Copper alloy
 3.Shell :SPCC
 4.Plating :Selective Gold Flash

ELECTRICAL

1.Current Rating : 3 AMP
 2.Voltage Rating : 250 V AC/rms 60 Hz
 3.Contact Resistance: 20mΩ max at 1 AMP DC
 4.Insulation Resistance: 1000MΩ at 500 VDC
 5.Withstand Voltage : 1000V AC/rms 60Hz for 1 minute
 6.Wire Spec : 28 AWG-28 AWG
 7.Operating temperature:-55 °C--+105°C
 UL E No #E198287

RoHS compliant

Unit:mm