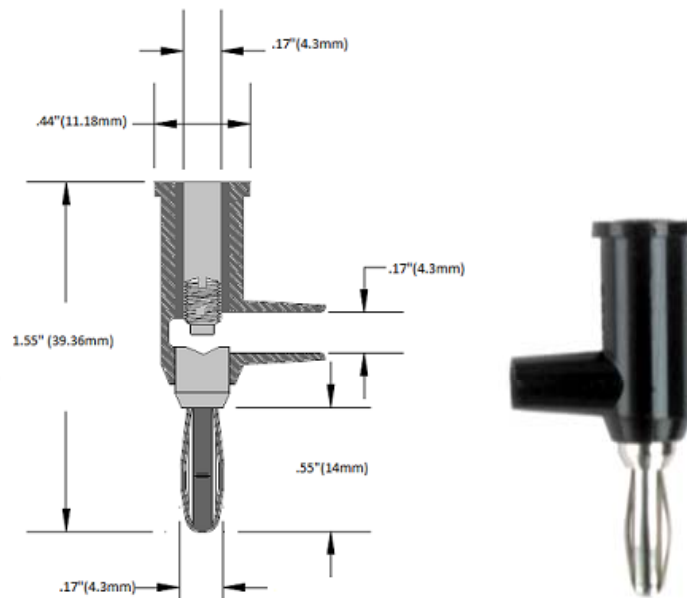


BU-P1825-* (Solderless, stackable banana plug)



DESCRIPTION:

- Solderless, stackable, standard 4mm banana plug designed for various applications.
- For all types of wire 22 to 16 AWG
- Easily field serviceable.
- Wire enters through side hole and is secured with setscrew.

MATERIALS:

Banana Plug: Nickel Plated Beryllium Copper
Insulation: Polypropylene

RATINGS:

15 AMPS
Hand free testing to 5000 VRMS
Max Temp: +122°F (50°C)

STANDARD COLORS: BU-P1825- * {* indicates color: -0 Black; -1 Brown; -2 Red; -3 Orange; -4 Yellow; -5 Green; -6 Blue; -7 Violet ; -8 Grey; -9 White}

RoHS Compliant